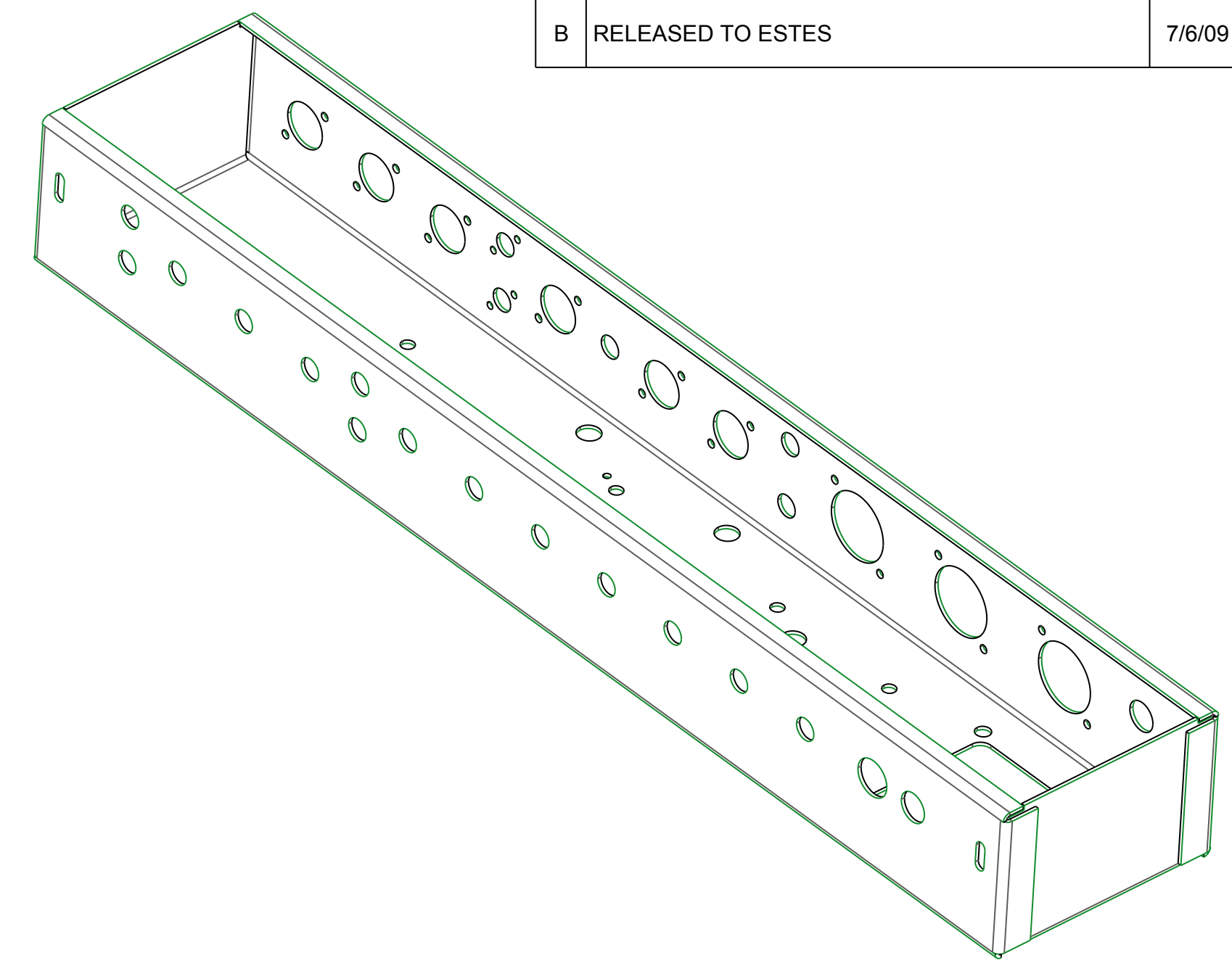
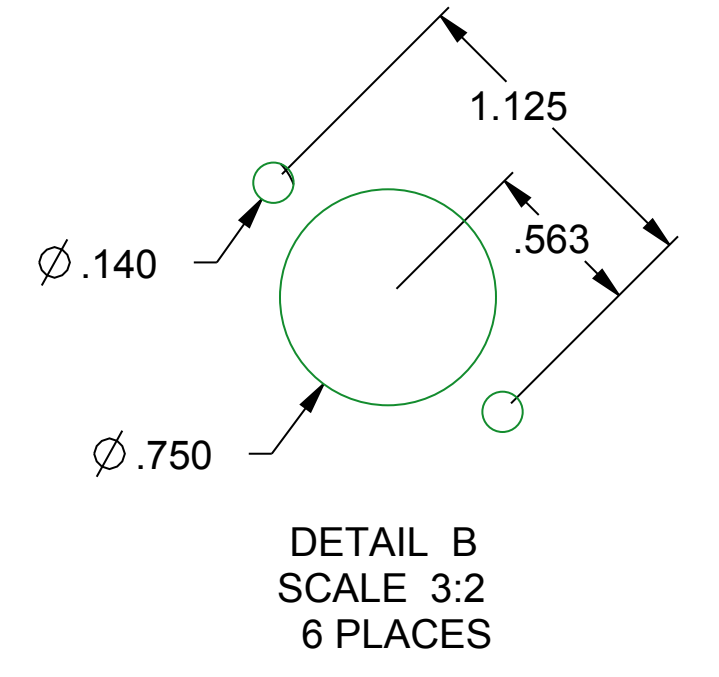
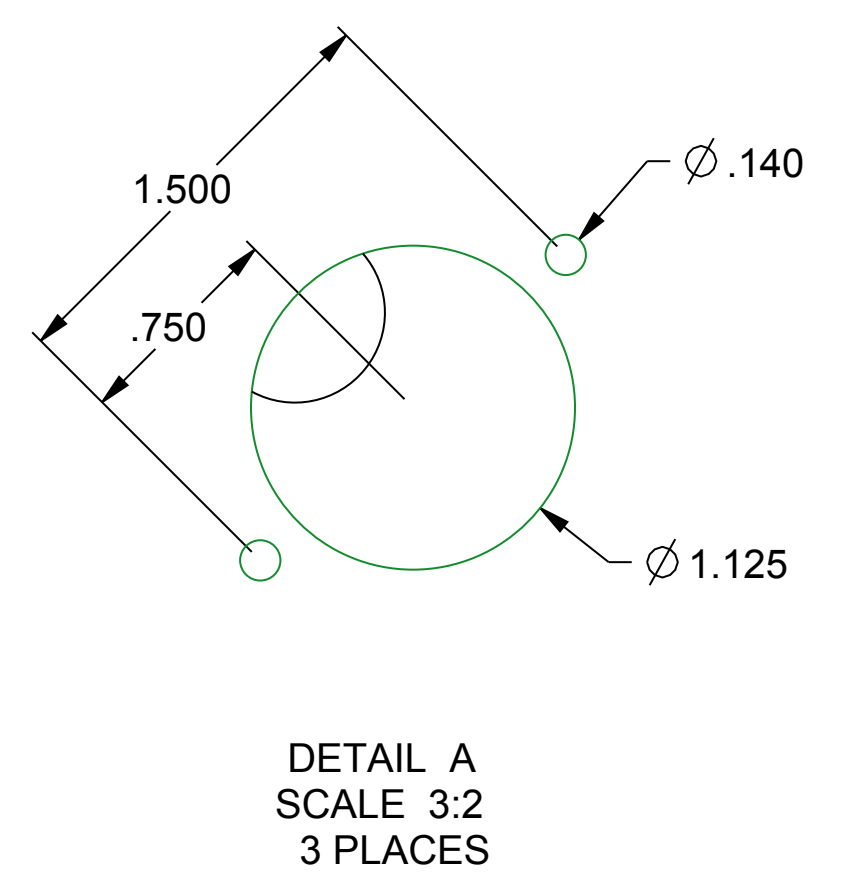
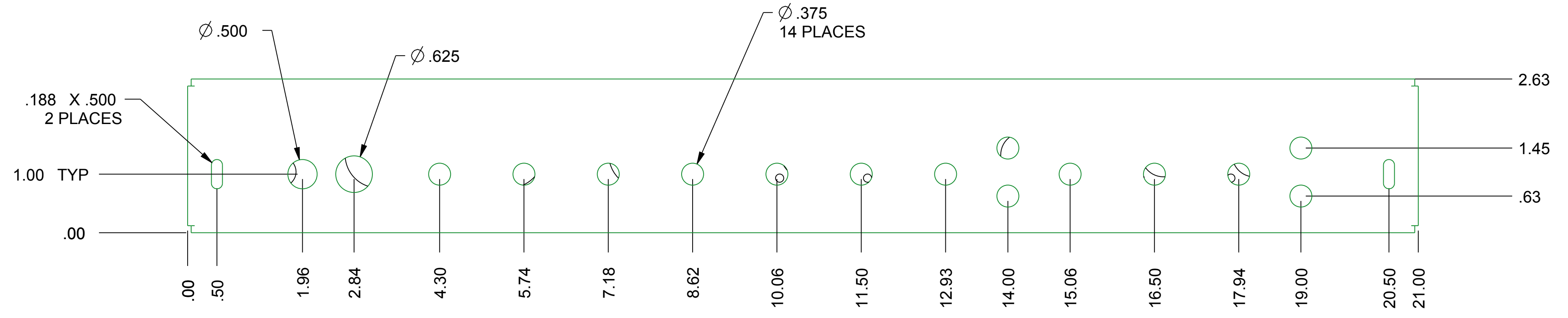
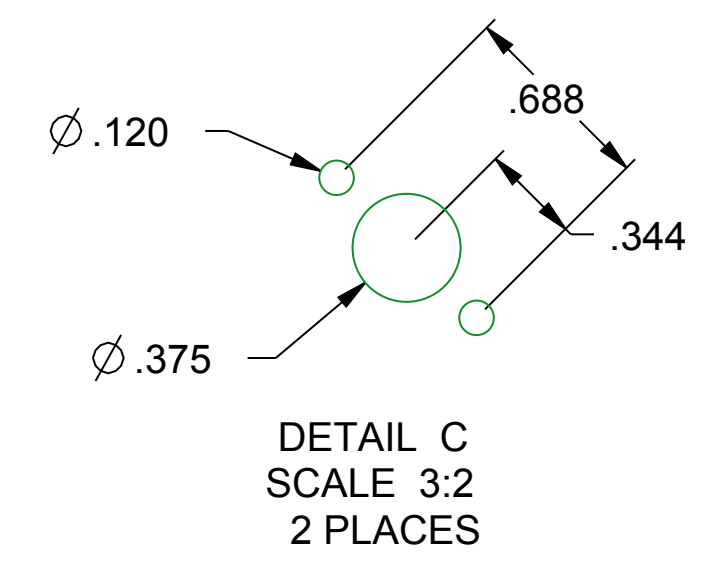
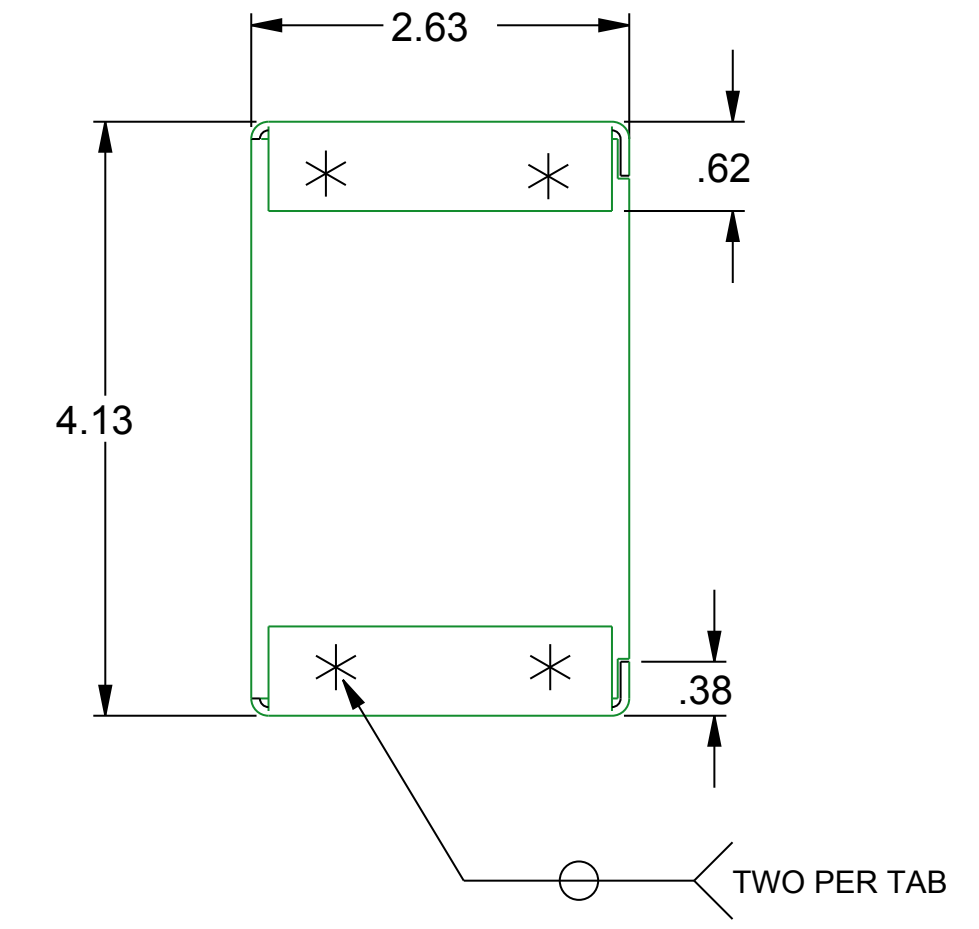
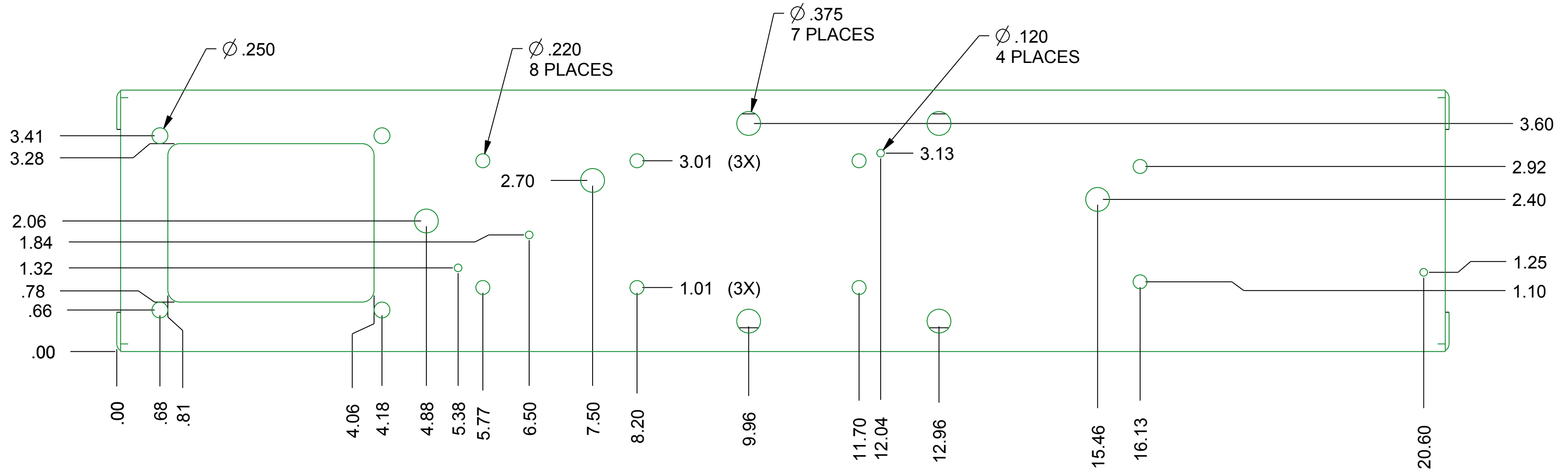
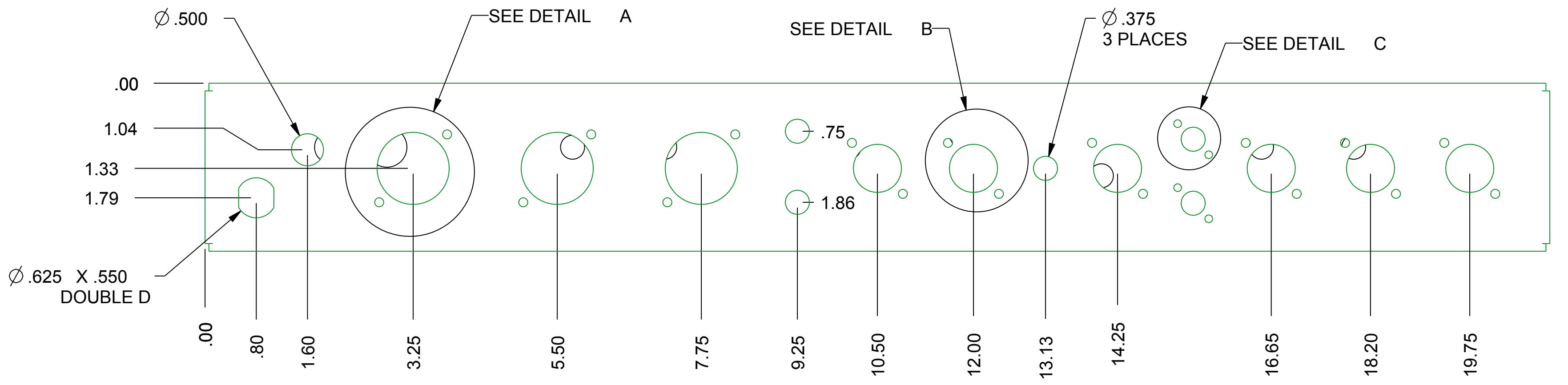


REVISIONS			
REV	DESCRIPTION	DATE	APPROVED
B	RELEASED TO ESTES	7/6/09	E.F.P.



SCALE 1:2



MATERIAL-.06 BRIGHT ANNEALED SS	estes 470 S. MITTHOEFFER RD. INDIANAPOLIS IN 46229		
WEBER SPEAKERS		PART NAME	CHASSIS
TOLERANCES (UNLESS OTHERWISE SPECIFIED) XX ± .03 XXX ± .015 ANGULAR ± 1/2°		DWG NO.	5A40CH
SCALE 3:4	07/06/09	NO. PER ASSY 1	CAD 5A40CH_INST
		SHEET	OF 3

8

7

6

5

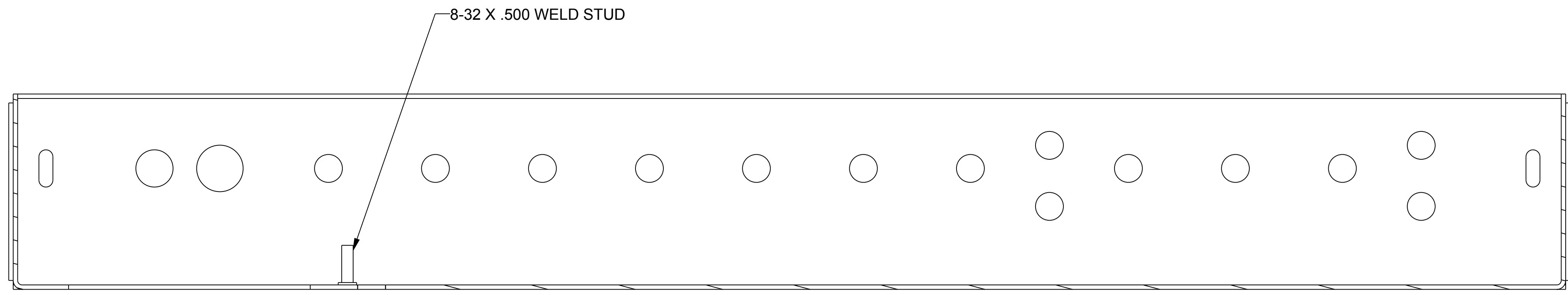
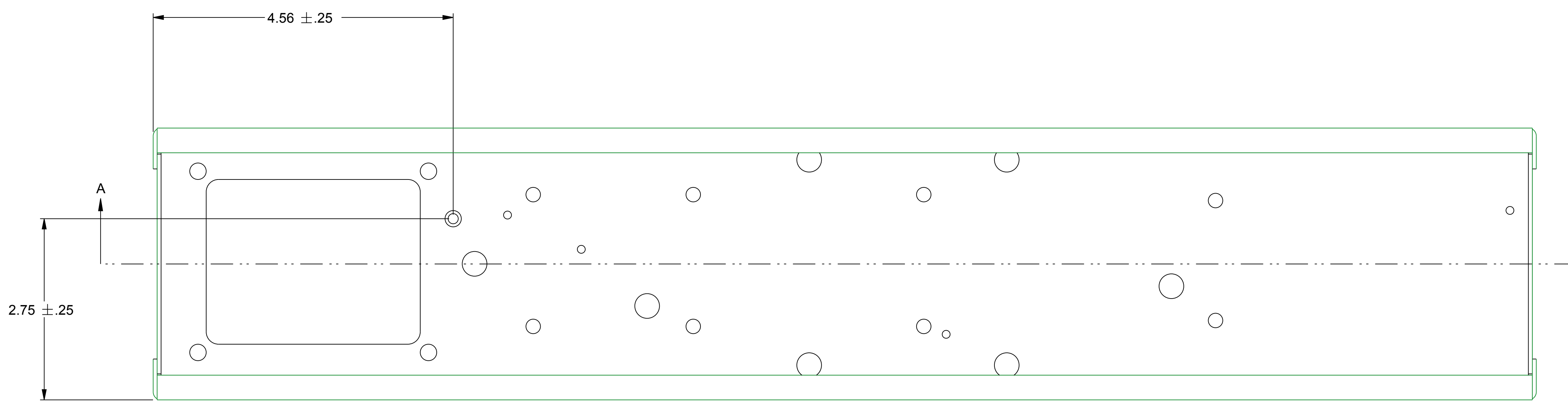
4

3

2

1

REVISIONS			
REV	DESCRIPTION	DATE	APPROVED
B	FOR CUSTOMER APPROVAL	7/6/09	E.F.P.



SECTION A-A

MATERIAL-.06 BRIGHT ANNEALED SS		estes 470 S. MITTHOEFFER RD. INDIANAPOLIS IN 46229	
TOLERANCES (UNLESS OTHERWISE SPECIFIED) .XX ± .03 .XXX ± .015 ANGULAR ± 1/2°		WEBER SPEAKERS	
SCALE 1:2	07/06/09	PART NAME CHASSIS	DWG NO. 5A40CH REV B
NO. PER ASSY 54		SHEET 2 OF 3	

8

7

6

5

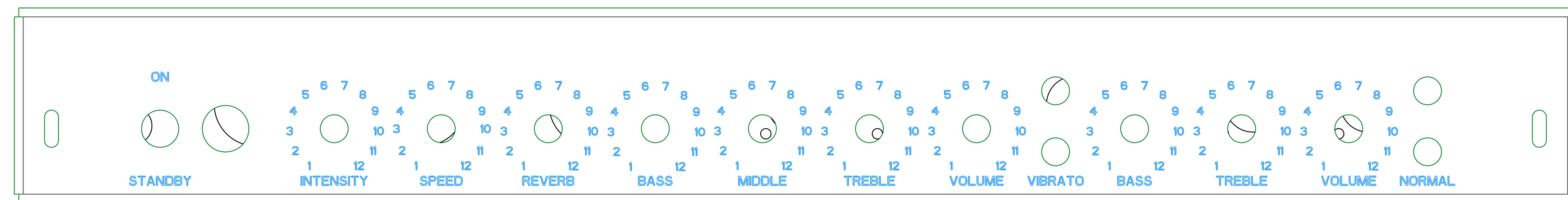
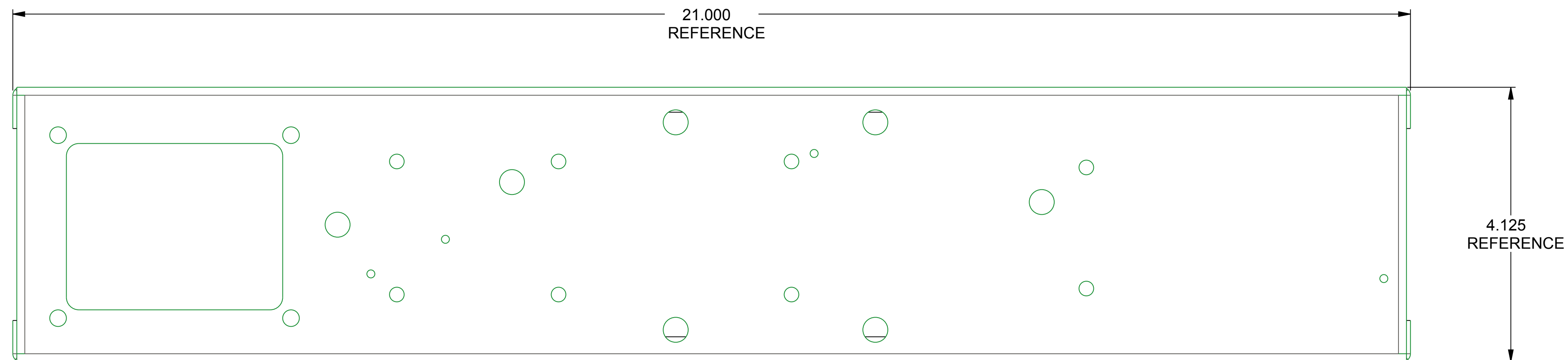
4

3

2

1

REVISIONS			
REV	DESCRIPTION	DATE	APPROVED
B	FOR CUSTOMER APPROVAL	7/6/09	E.F.P.



SILKSCREEN DETAIL
 FOR REFERENCE ONLY
 USE CUSTOMER SUPPLIED TEMPLATE
 FOR CORRECT FONT AND POINT

MATERIAL-.06 BRIGHT ANNEALED SS	470 S. MITTHOEFFER RD. INDIANAPOLIS IN 46229		
<small>TOLERANCES (UNLESS OTHERWISE SPECIFIED)</small> .XX ± .03 .XXX ± .015 ANGULAR ± 1/2°	WEBER SPEAKERS PART NAME CHASSIS		DWG NO. 5A40CH REV B
SCALE 3:4	07/06/09	NO. PER ASSY 1	CAD 5A40CH_INST SHEET 3 OF 3