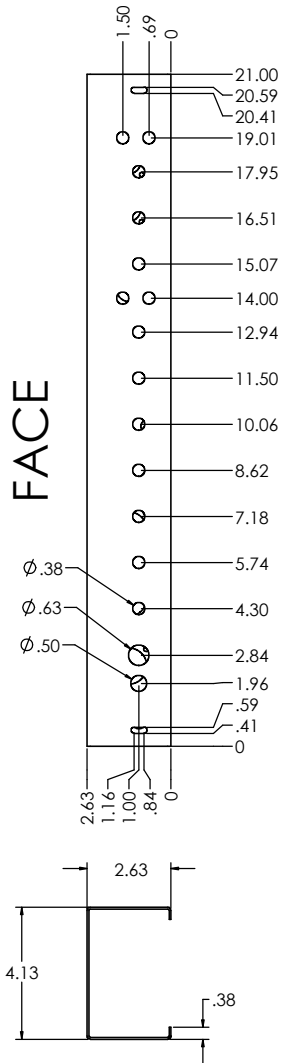
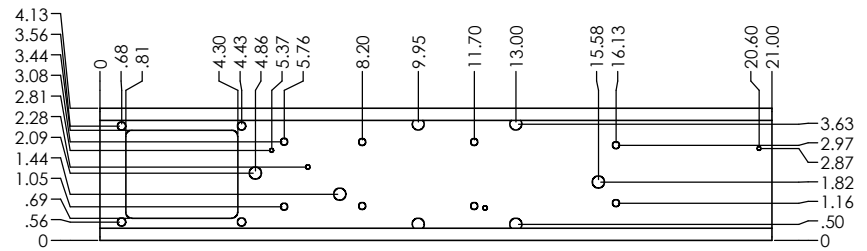
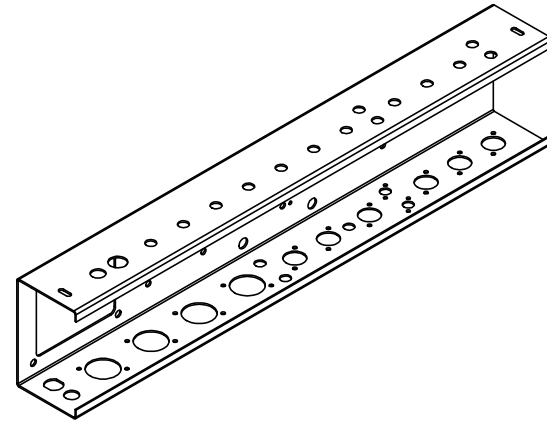
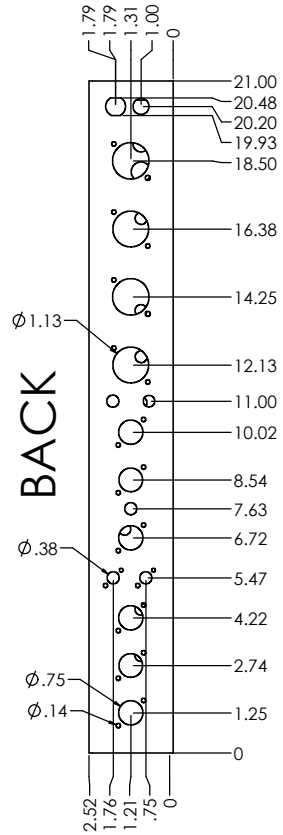


FACE



BACK



ZONE		REV.	REVISIONS		DATE	APPROVED
			DESCRIPTION			

PROPRIETARY AND CONFIDENTIAL
THE INFORMATION CONTAINED IN THIS DRAWING IS THE SOLE PROPERTY OF WeberVST. ANY REPRODUCTION IN PART OR AS A WHOLE WITHOUT THE WRITTEN PERMISSION OF WeberVST IS PROHIBITED.

		UNLESS OTHERWISE SPECIFIED:	NAME	DATE
		DIMENSIONS ARE IN INCHES TOLERANCES: FRACTIONAL ± ANGULAR: ±1 BEND ±.030 TWO PLACE DECIMAL ±.015 THREE PLACE DECIMAL ±.010	DRAWN	GA 6-20-05
		INTERPRET GEOMETRIC TOLERANCING PER:	CHECKED	
		MATERIAL 16 GA CRS	ENG APPR.	
NEXT ASSY	USED ON	FINISH	MFG APPR.	
APPLICATION		DO NOT SCALE DRAWING	Q.A.	
			COMMENTS: NO RUST OR DEEP SCRATCHES PERMITTED	

WeberVST		
TITLE: 5A80CH-REVB		
SIZE E	DWG. NO.	REV B
SCALE: 1:1.5		WEIGHT:
		SHEET 1 OF 1