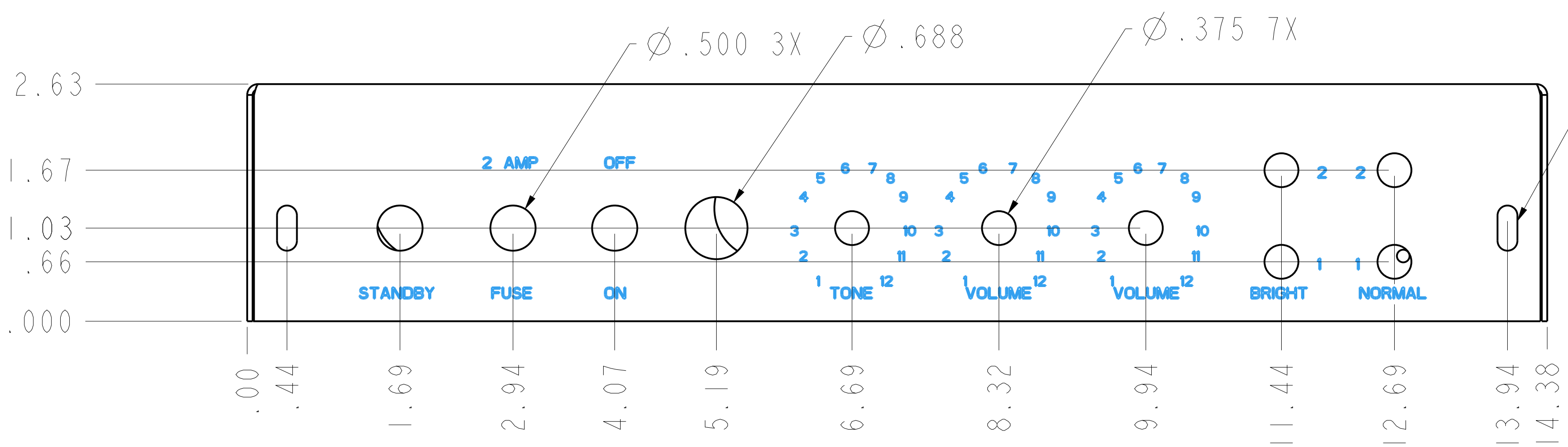
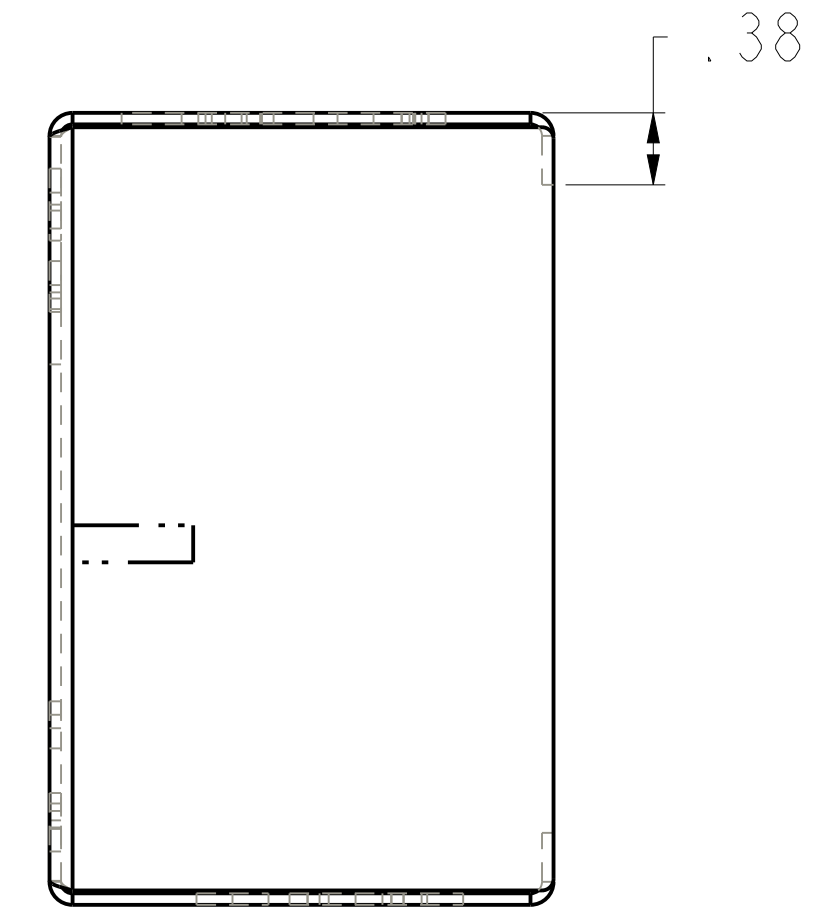
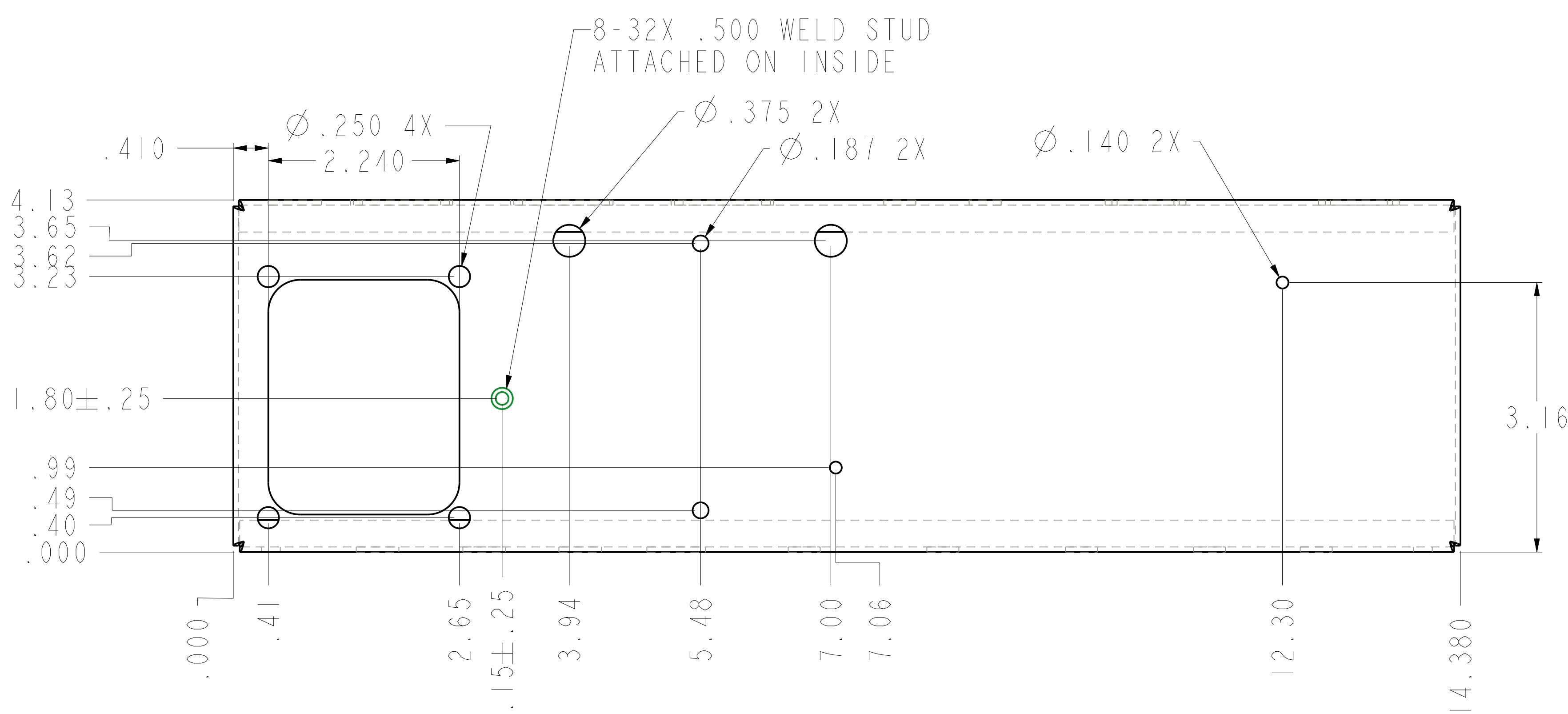
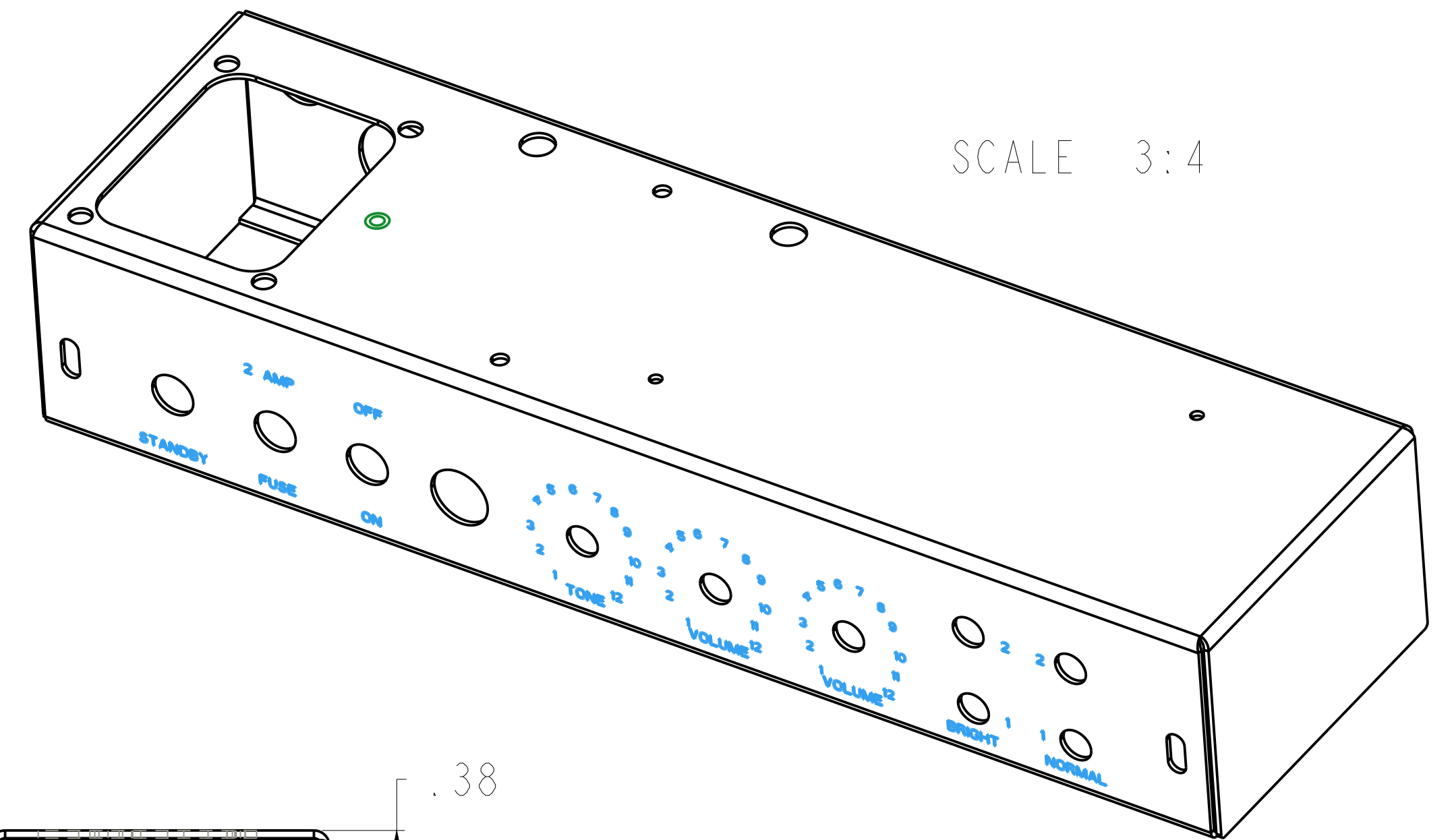
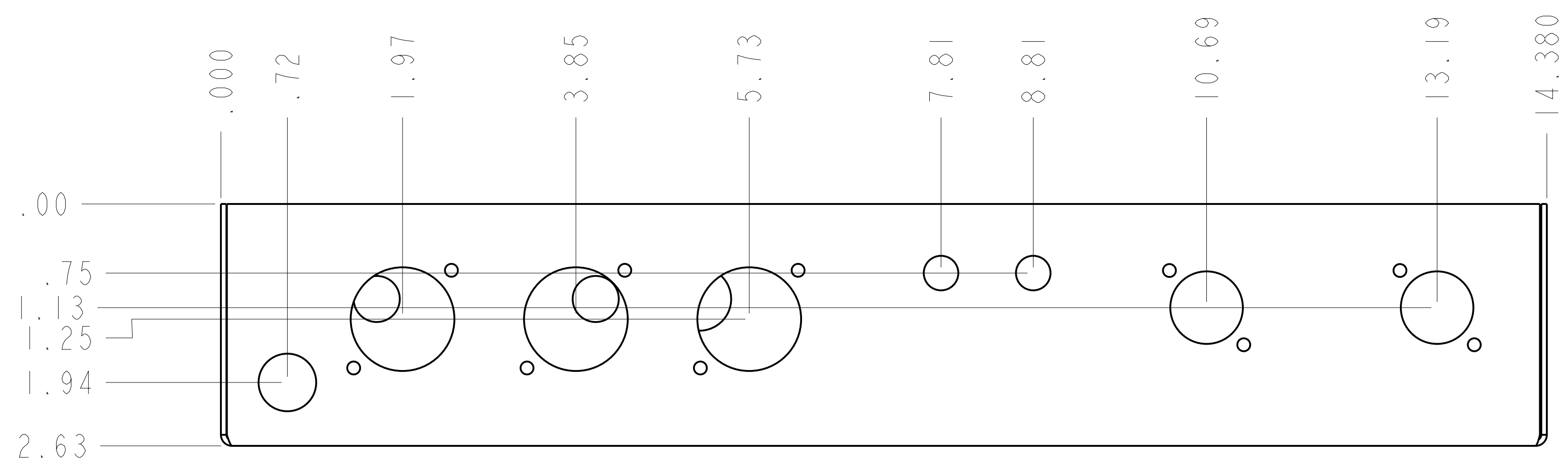


REVISIONS			
REV	DESCRIPTION	DATE	APPROVED
D	REMOVED SPOTWELD FLANGES (4)	08/13/13	D.A.O.



- NOTES:  
 1. MATERIAL 16GA .06SS 430  
 2. BEND RADIUS .06  
 3. SILKSCREEN SHOWN ON THIS DRAWING IS FOR REFERENCE ONLY  
 USE CUSTOMER SUPPLIED TEMPLATE

TOLERANCE FOR HOLE DIAMETERS ±.005

MATERIAL-.06 SS 430-2B	<b>WEBER SPEAKERS</b>		
TOLERANCES (UNLESS OTHERWISE SPECIFIED) .XX ± .03 .XXX ± .015 ANGULAR ± 1/2°	PART NAME CHASSIS	DWG NO. 5E3CH	REV D
SCALE 1:1	NO. PER ASS'Y 1	CAD NO. 5E3CH	SHEET 1 OF 1