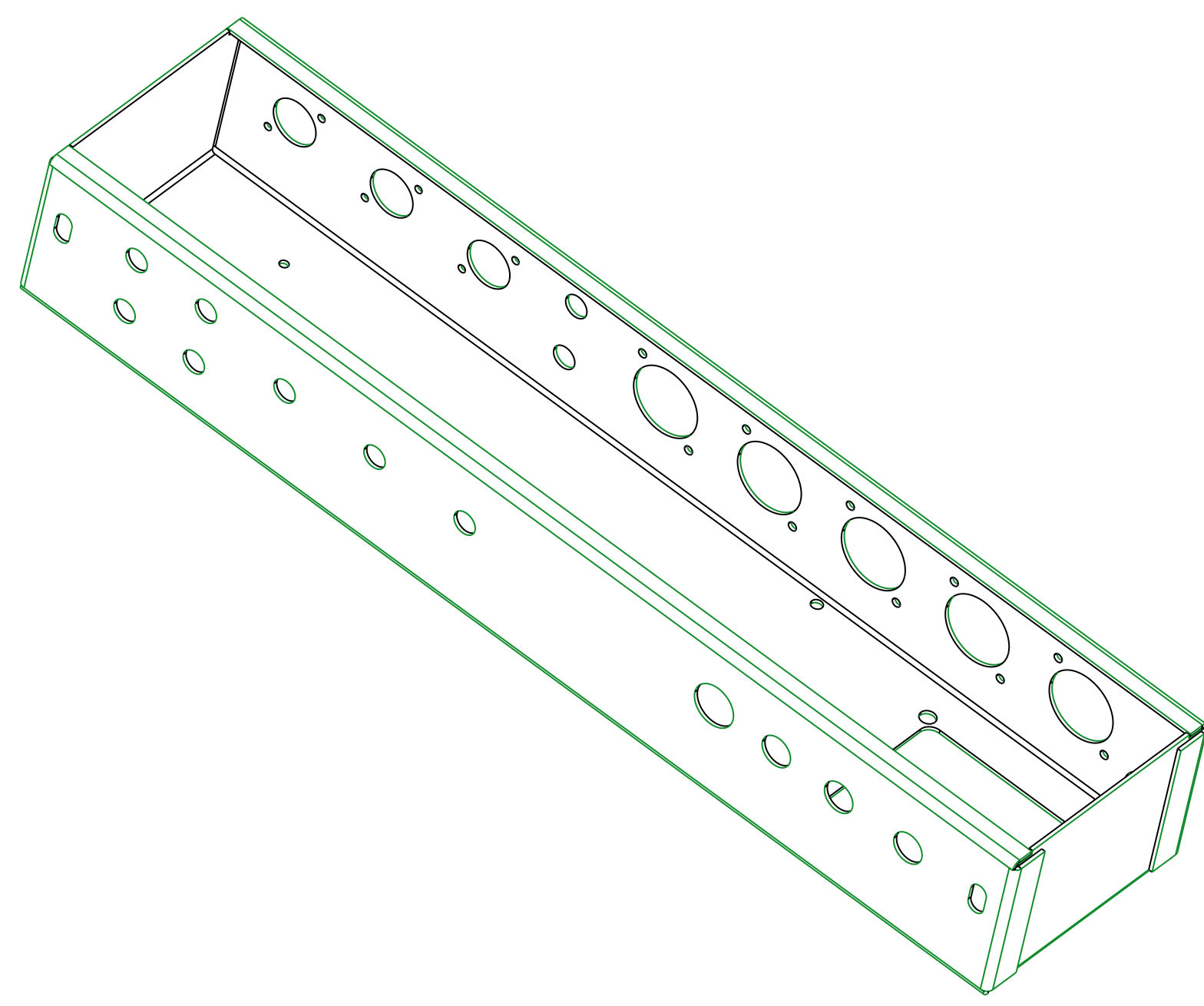
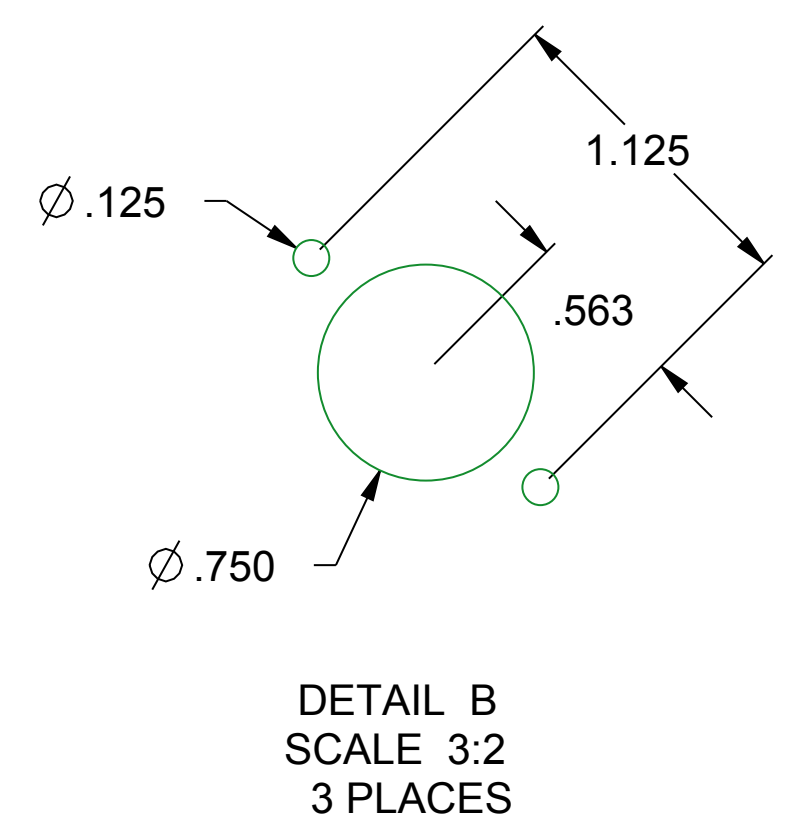
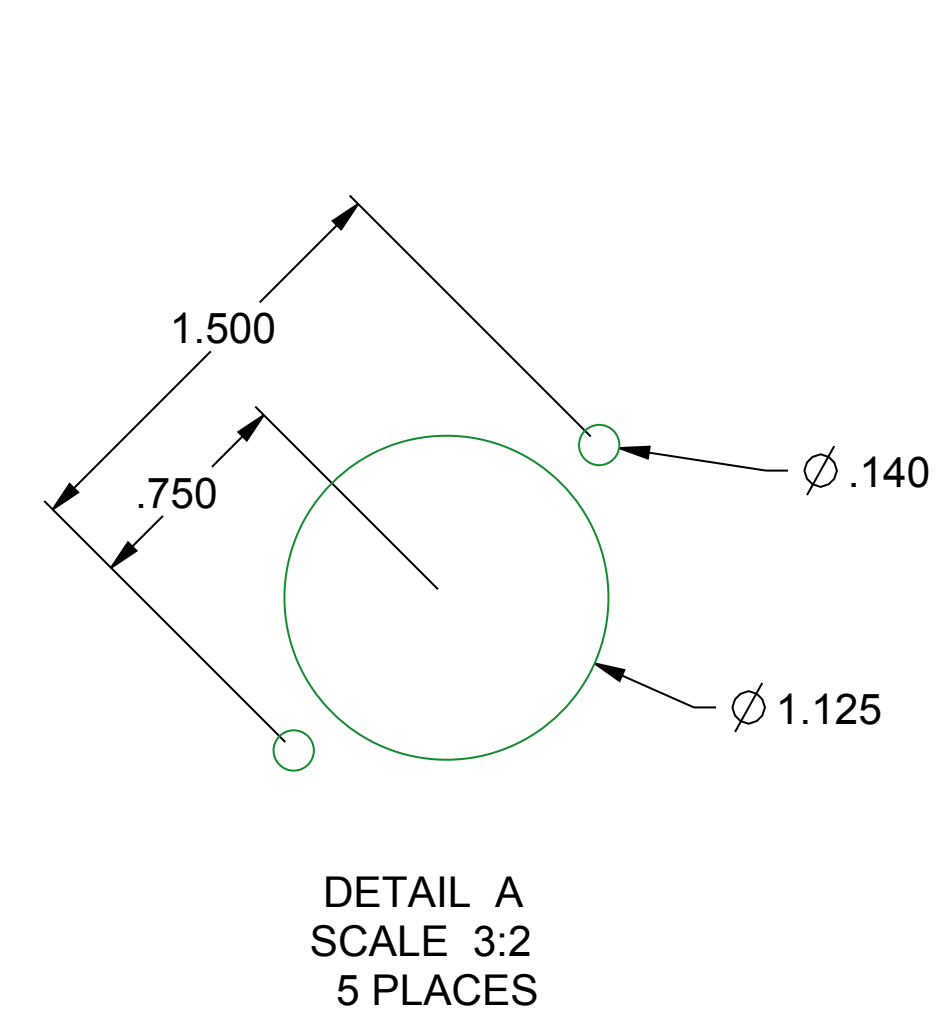
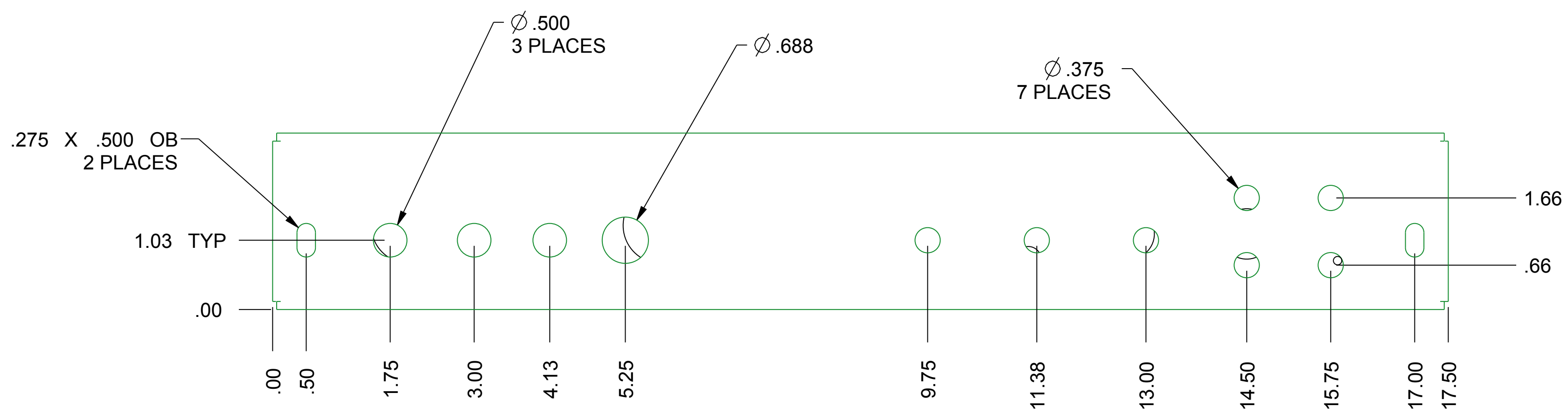
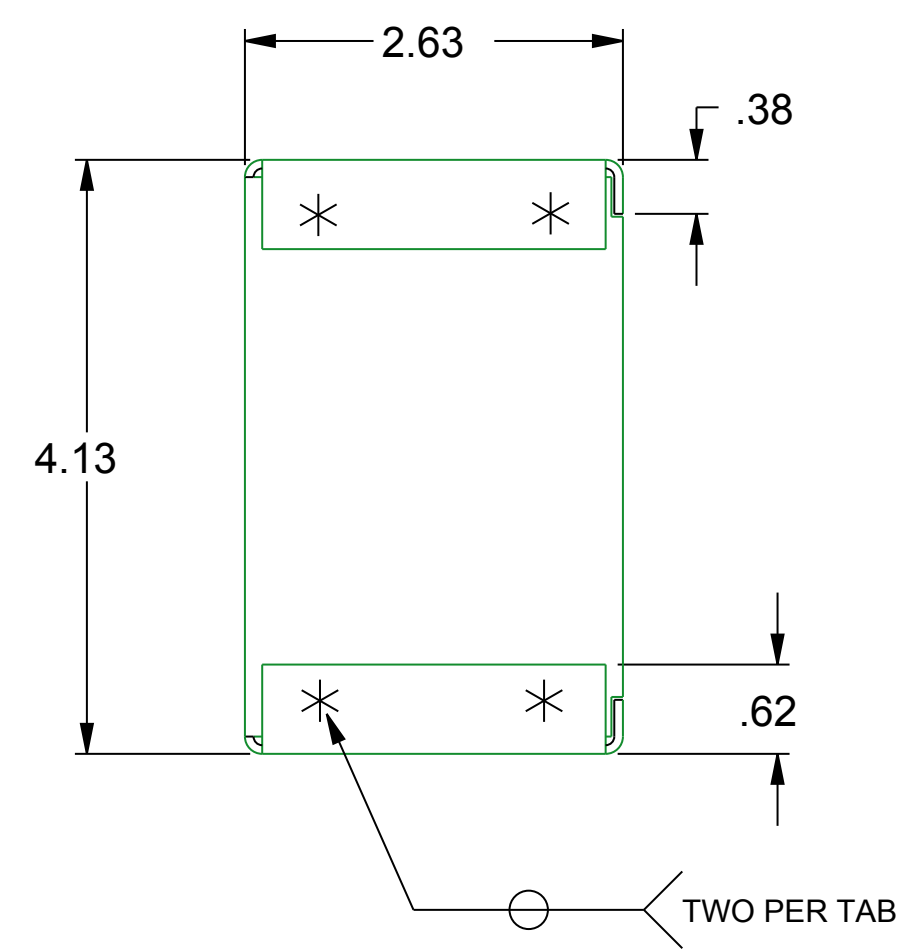
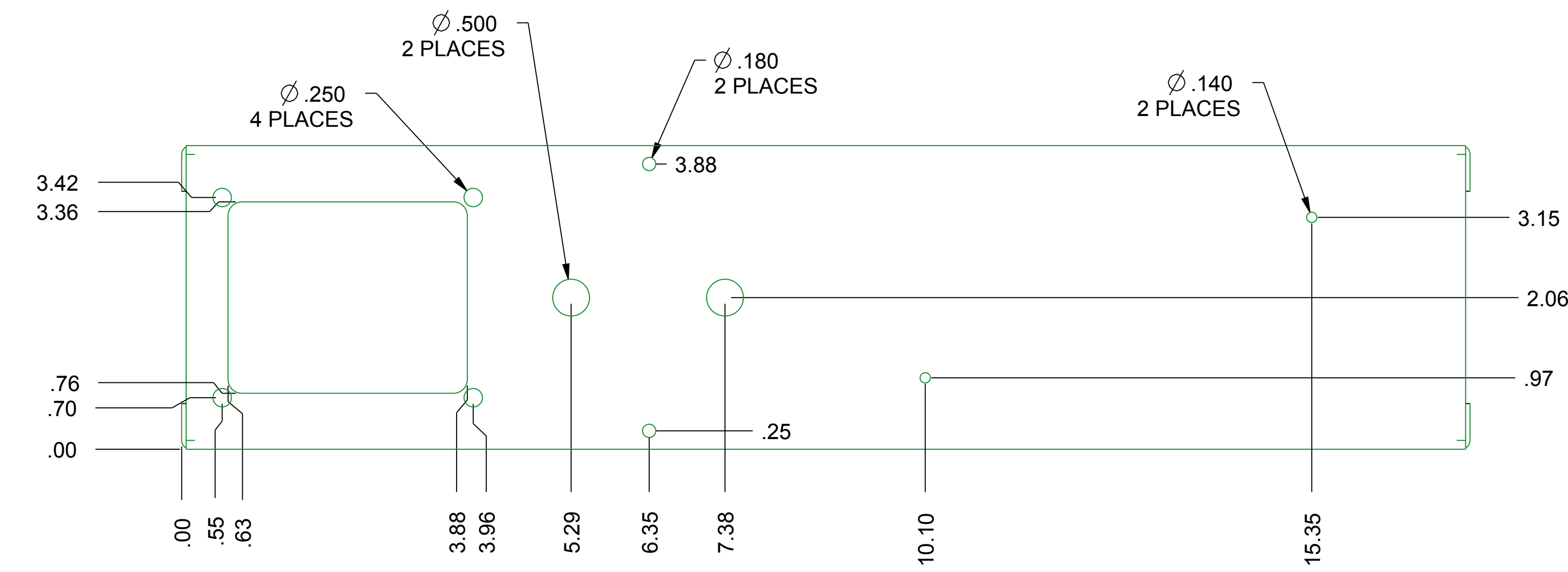
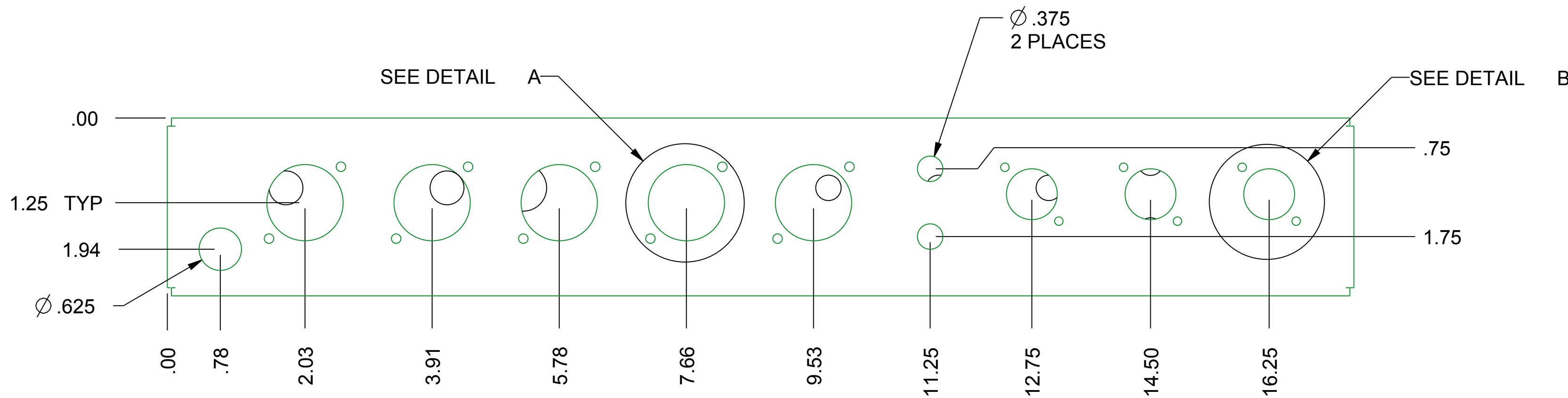


REVISIONS			
REV	DESCRIPTION	DATE	APPROVED
A	FOR CUSTOMER APPROVAL	7/7/09	E.F.P.



SCALE 1:2



MATERIAL-.06 BRIGHT ANNEALED SS	estes 470 S. MITTHOEFFER RD. INDIANAPOLIS IN 46229	
WEBER SPEAKERS		
TOLERANCES (UNLESS OTHERWISE SPECIFIED) .XX ± .03 .XXX ± .015 ANGULAR ± 1/2°	PART NAME CHASSIS	DWG NO. 5E3CH-X2
SCALE 1:2	NO. PER ASSY 1	CAD NO. 5E3CH-X2
07/07/09	SHEET 1	OF 3

8

7

6

5

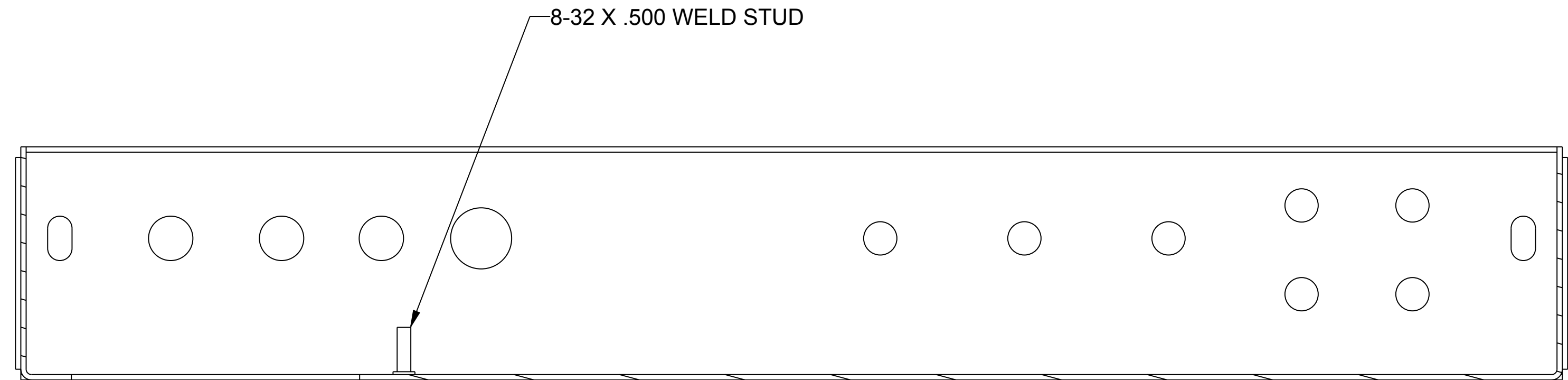
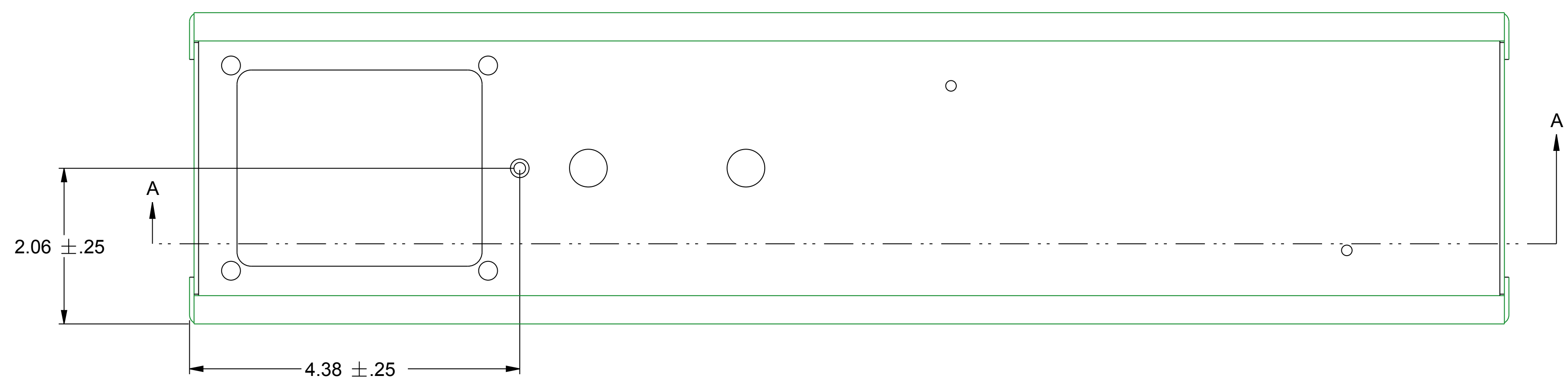
4

3

2

1

REVISIONS			
REV	DESCRIPTION	DATE	APPROVED
A	FOR CUSTOMER APPROVAL	7/7/09	E.F.P.



SECTION A-A

MATERIAL-.06 BRIGHT ANNEALED SS		estes 470 S. MITTHOEFFER RD. INDIANAPOLIS IN 46229	
TOLERANCES (UNLESS OTHERWISE SPECIFIED) .XX ± .03 .XXX ± .015 ANGULAR ± 1/2°		WEBER SPEAKERS	
SCALE 3:4	07/07/09	PART NAME CHASSIS	DWG NO. 5E3CH-X2
		NO. PER ASSY 1	REV A
		CASE NO. 5E3CH-X2_INST	SHEET 2 OF 3

8

7

6

5

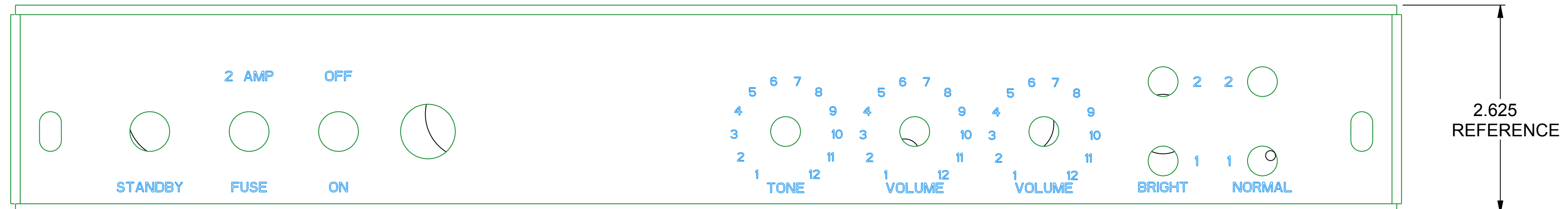
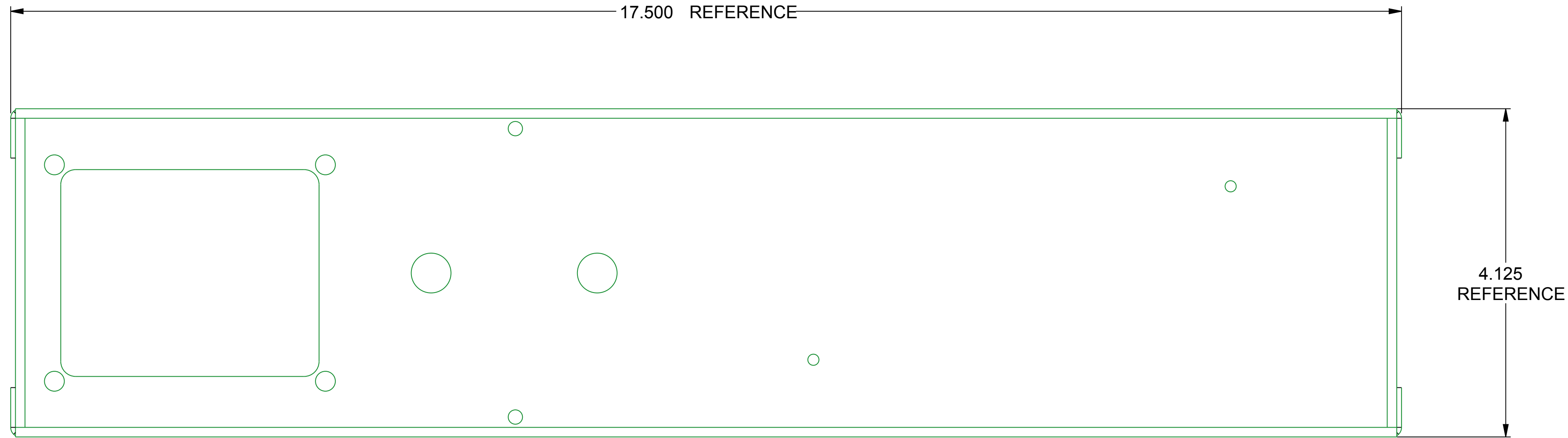
4

3

2

1

REVISIONS			
REV	DESCRIPTION	DATE	APPROVED
A	FOR CUSTOMER APPROVAL	7/7/09	E.F.P.



AUXILLARY SILKSCREEN DETAIL

FOR REFERENCE ONLY
 USE CUSTOMER SUPPLIED TEMPLATE
 FOR CORRECT POINT AND FONT

MATERIAL-.06 BRIGHT ANNEALED SS	470 S. MITTHOEFFER RD. INDIANAPOLIS IN 46229		
<small>TOLERANCES (UNLESS OTHERWISE SPECIFIED)</small> .XX ± .03 .XXX ± .015 ANGULAR ± 1/2°	WEBER SPEAKERS PART NAME CHASSIS		DWG NO. 5E3CH-X2 SHEET 3 OF 3
SCALE 1:1	07/07/09	NO. PER ASSY 1	NO. PER ASSY 1