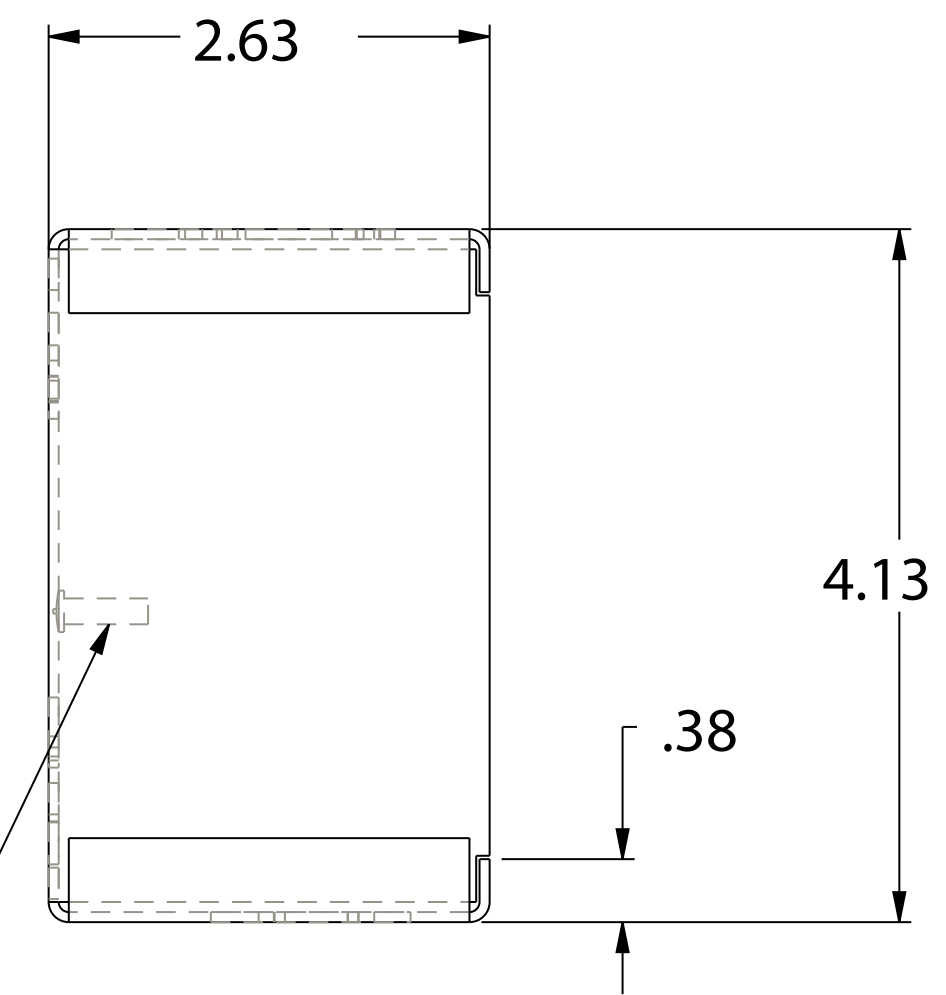
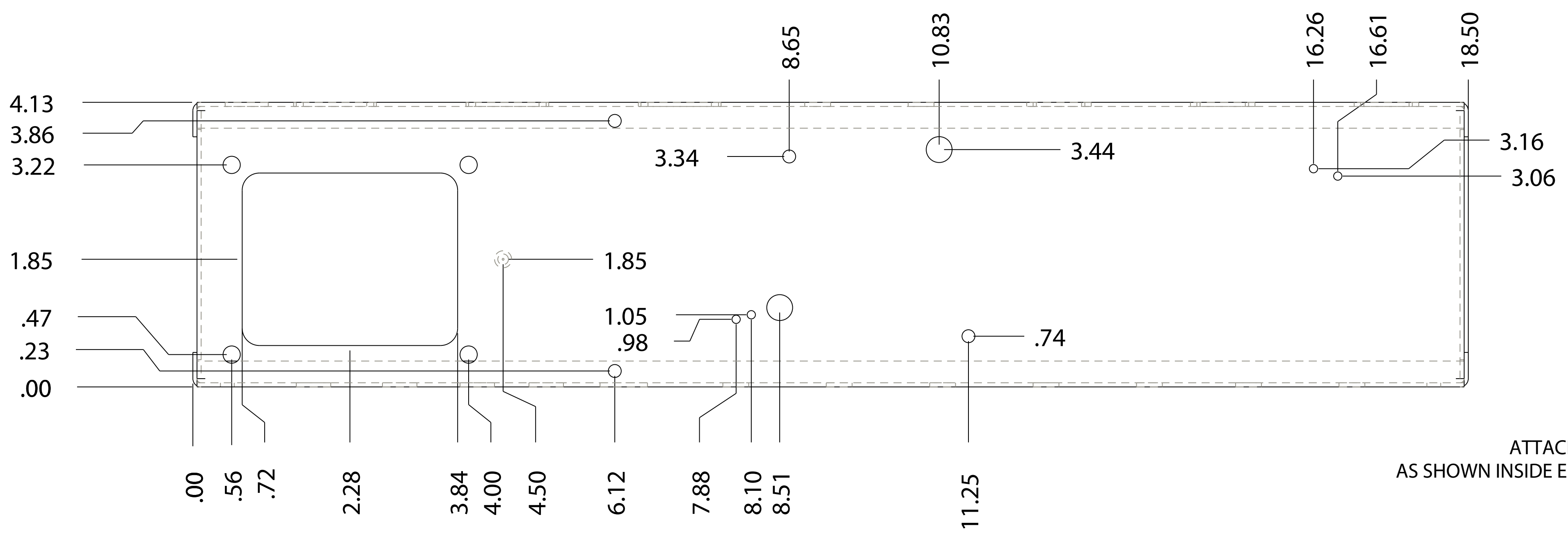
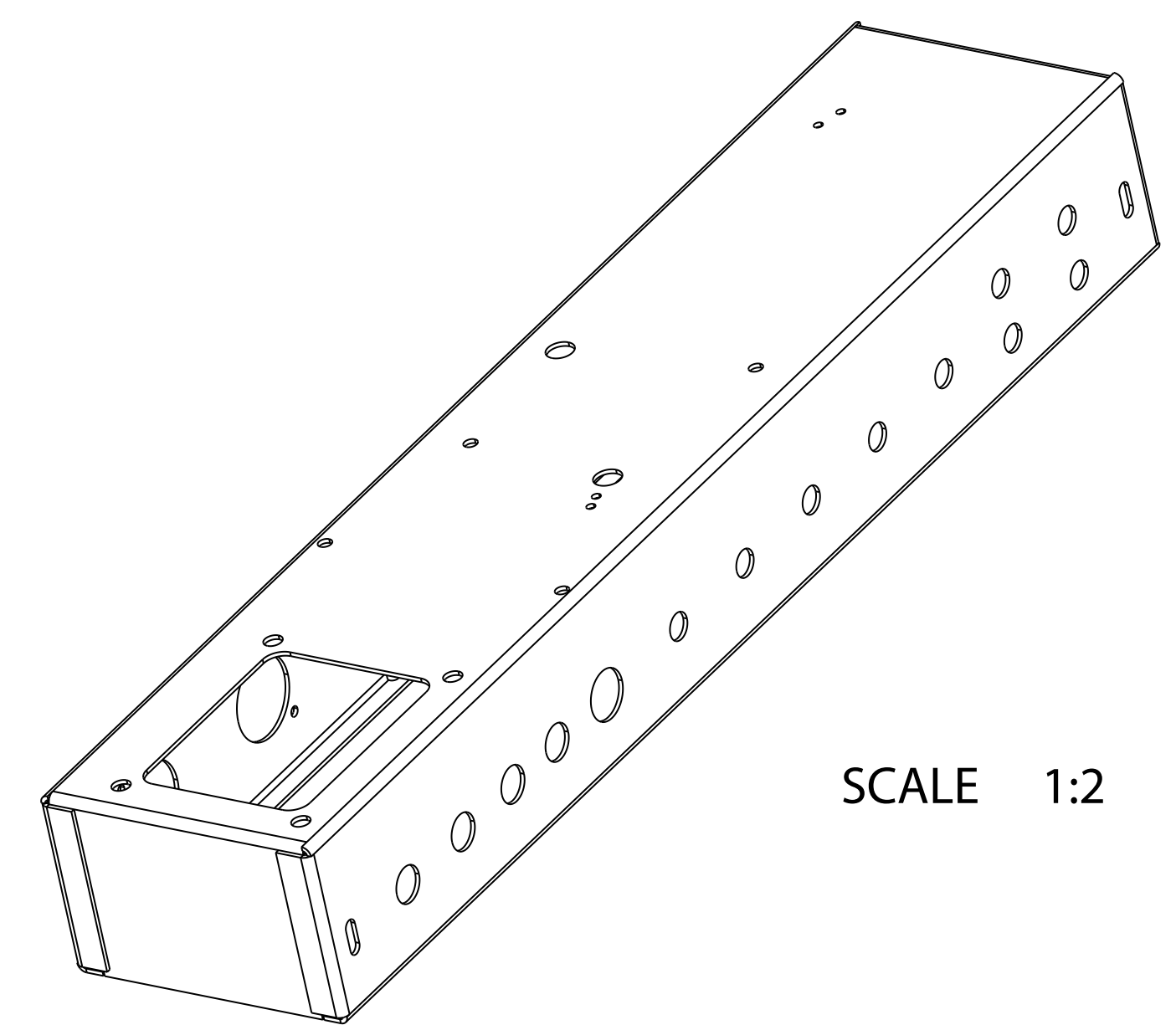
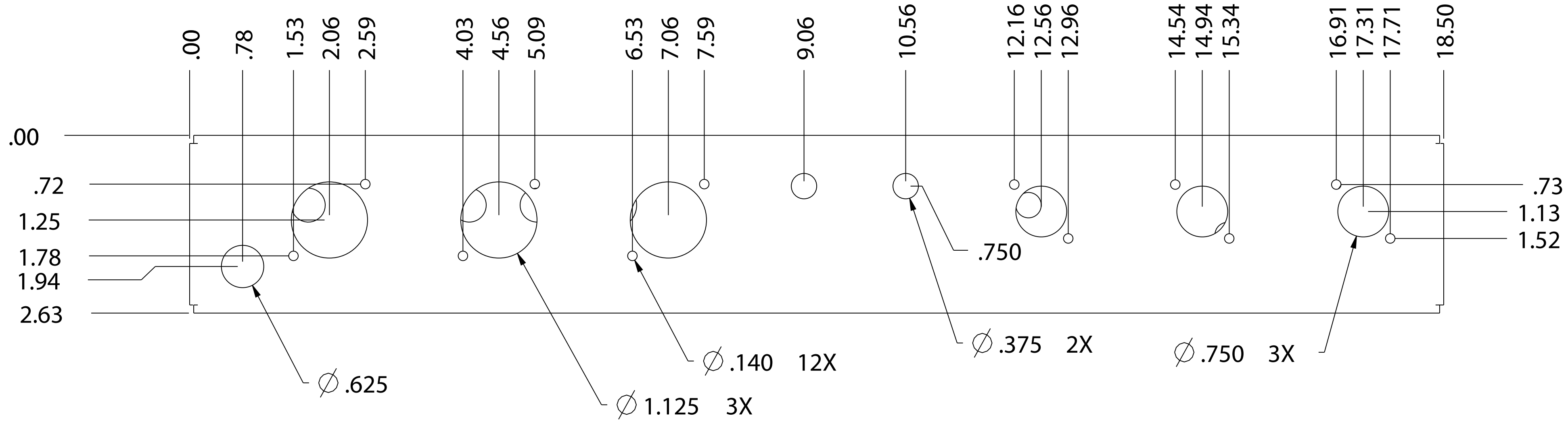
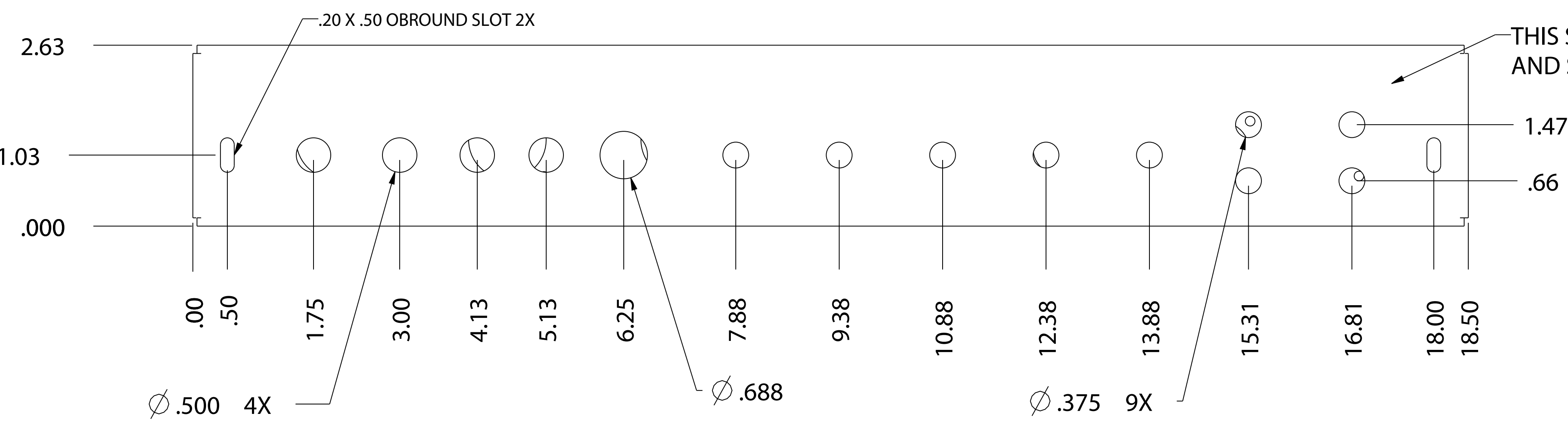


REVISIONS			
REV	DESCRIPTION	DATE	APPROVED
B	RELEASED TO ESTES	12/4/08	JE



ATTACH WELD STUD AS SHOWN INSIDE ENCLOSURE



THIS SURFACE TO BE FREE OF TOOL MARKS AND SCRATCHES.

NOTE: MATERIAL IS 16 GA. (.06) 430 SS BA

ITEM	PART NUMBER	DESCRIPTION	QTY	REV	CAD NUMBER
1	8_32_500_WELD_STUD	8-32 X 0.500 WELD STUD	1	A	8_32_500_WELD_STUD
2	SE7CH	CHASSIS	1	B	SE7CH

ASSEMBLY		WEBER SPEAKERS			
TOLERANCES (UNLESS OTHERWISE SPECIFIED)					
.XX ± .03					
.XXX ± .015					
ANGULAR ± 1/2°					
PART NAME	CHASSIS	DWG NO.	5E7CH	REV	B
SCALE	7:8	CAD NO.	5E7CH	SHEET 1	OF 1