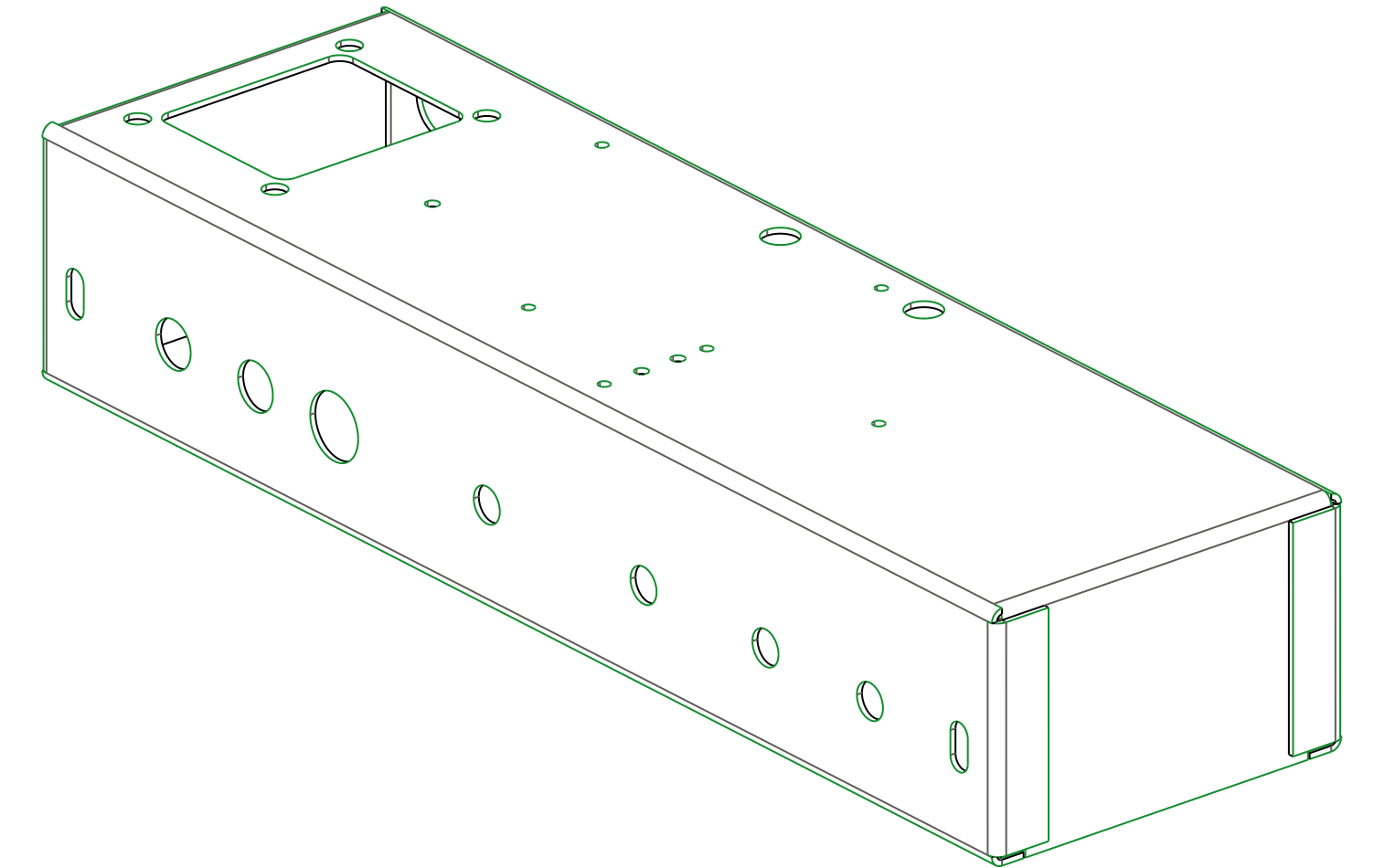
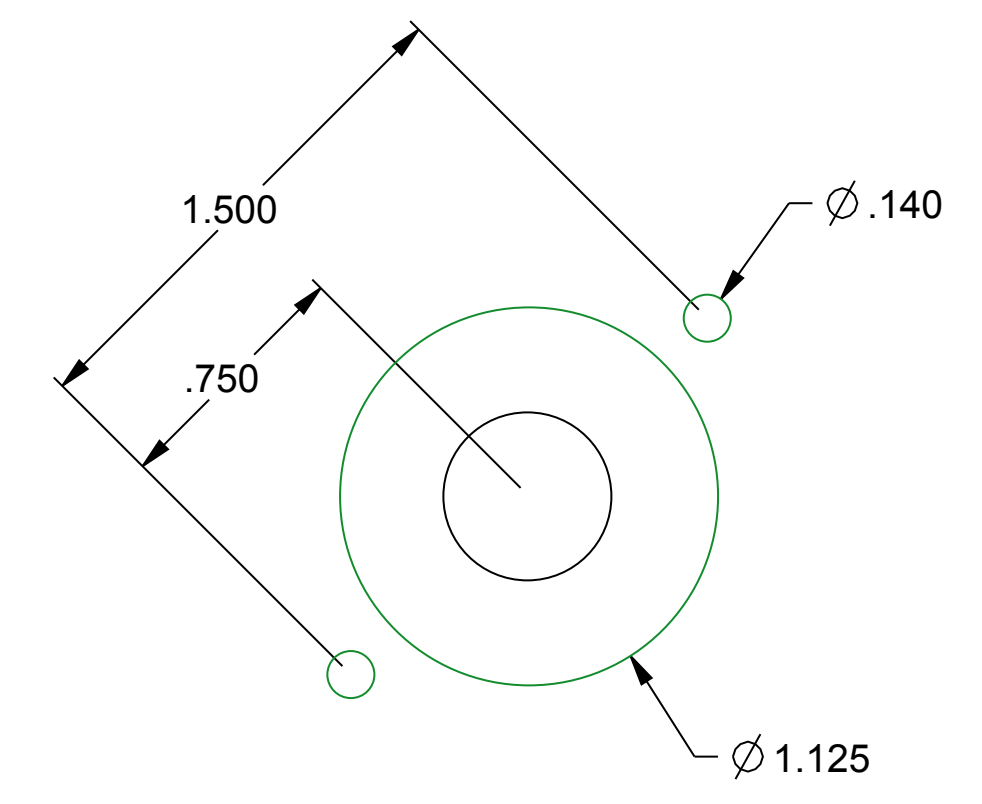
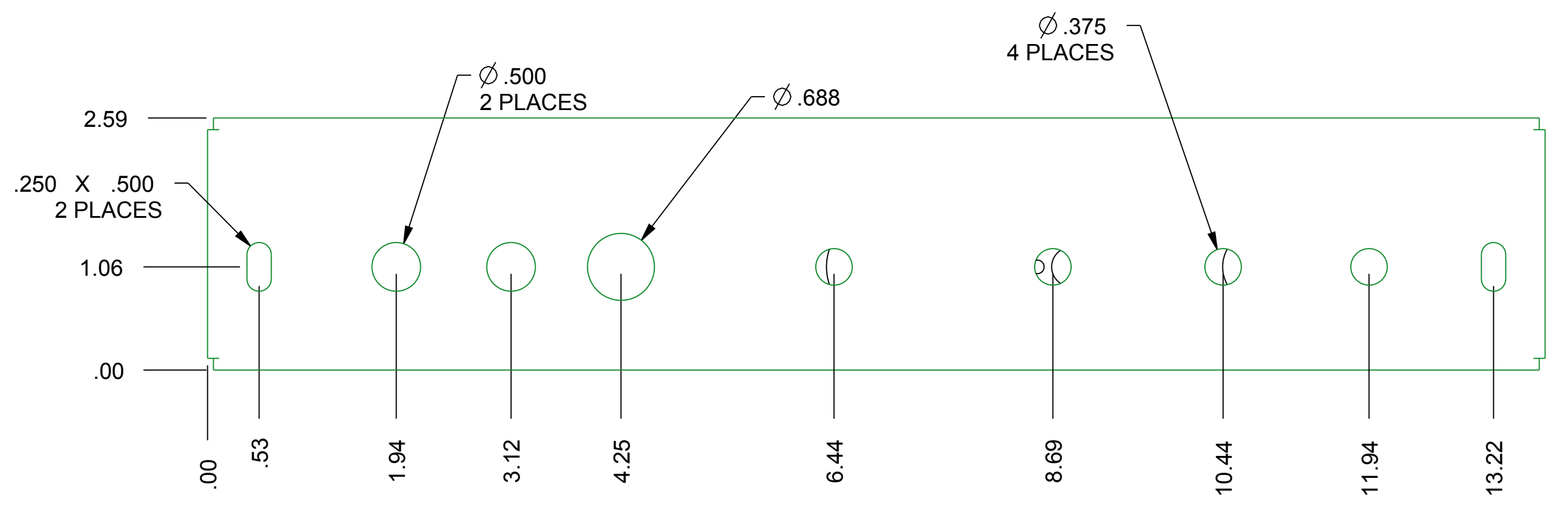
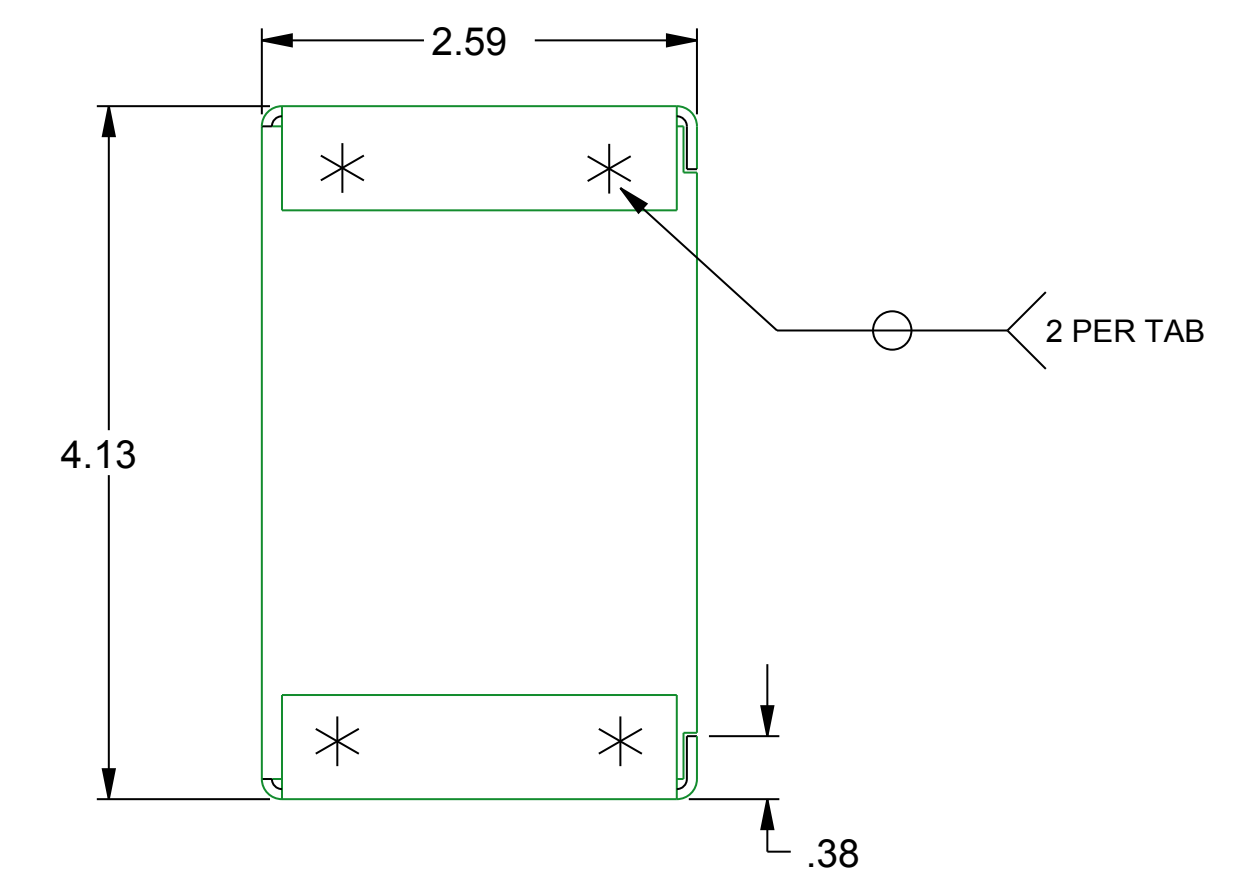
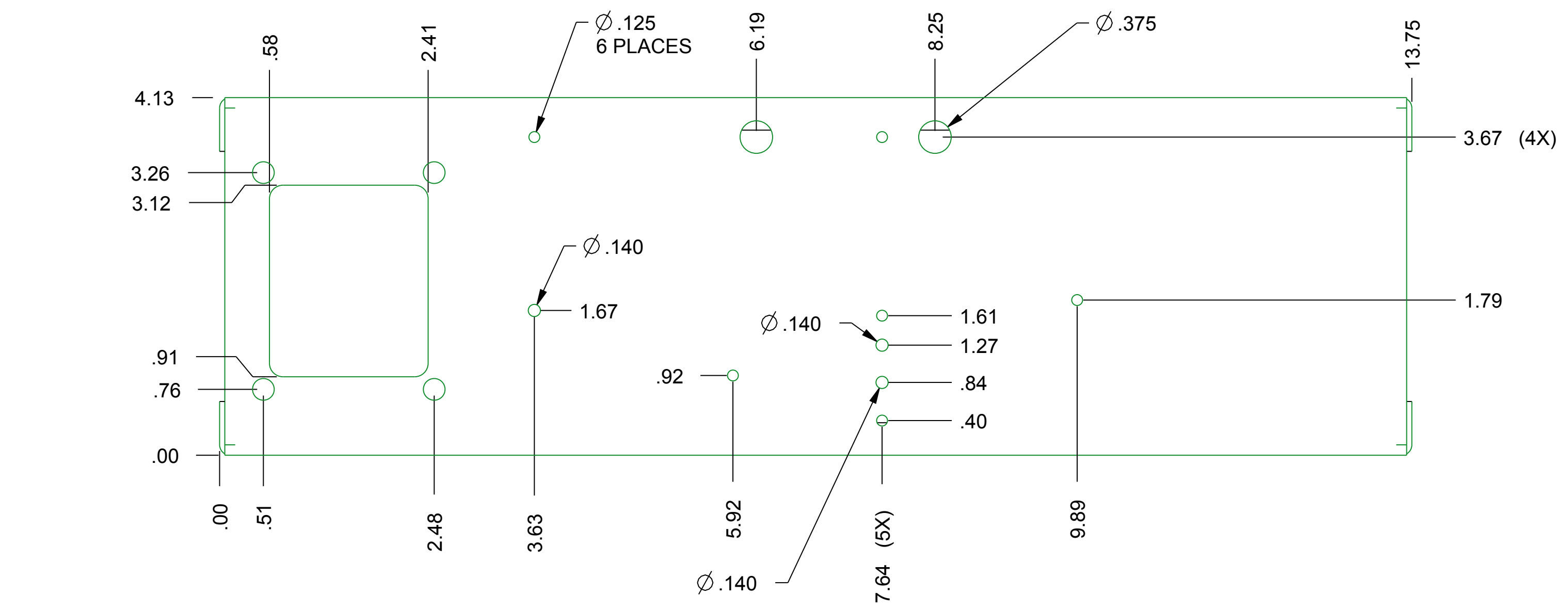
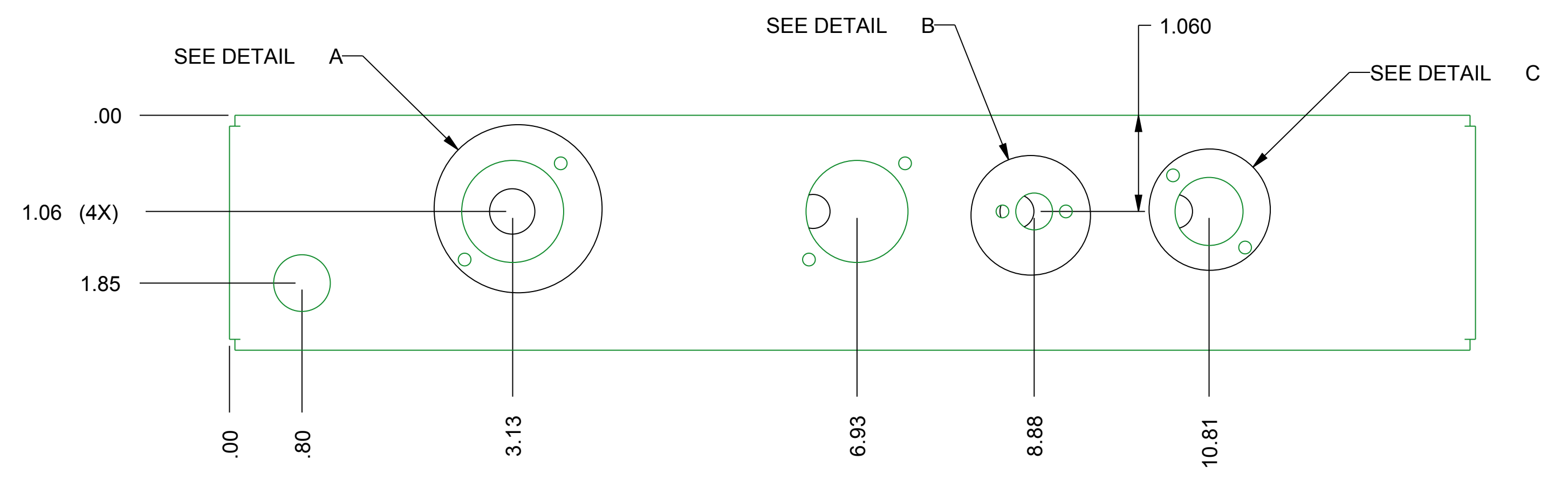


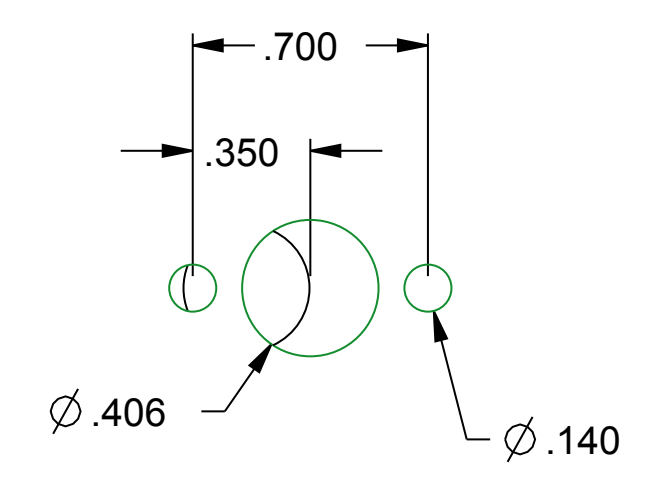
REVISIONS			
REV	DESCRIPTION	DATE	APPROVED
B	FOR CUSTOMER APPROVAL	7/2/09	E.F.P.



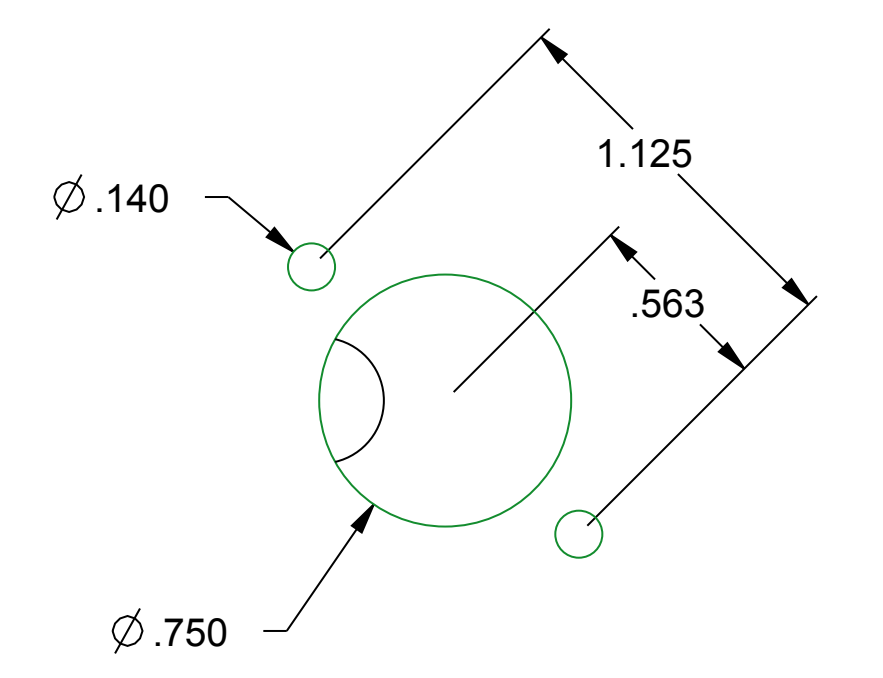
SCALE 5:8



DETAIL A  
SCALE 7:4  
2 PLACES



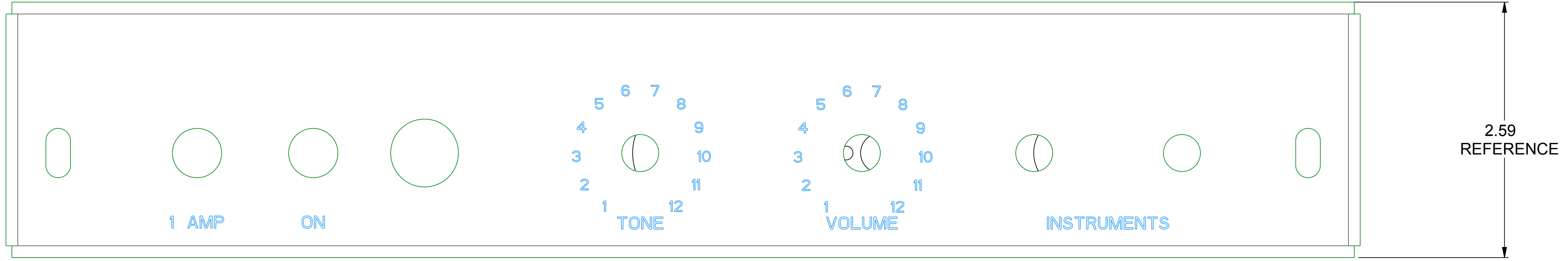
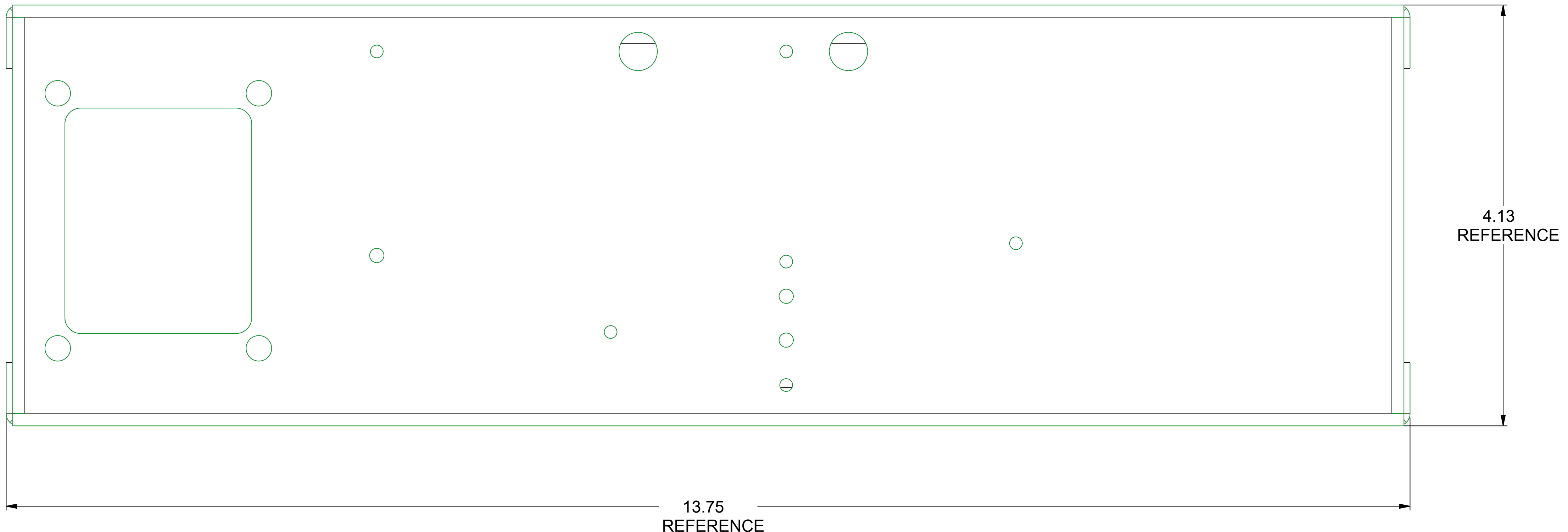
DETAIL B  
SCALE 7:4



DETAIL C  
SCALE 7:4

MATERIAL-.06 BRIGHT ANNEALED SS	<b>estes</b> 470 S. MITTHOEFFER RD. INDIANAPOLIS IN 46229	
<b>WEBER SPEAKERS</b>		
TOLERANCES (UNLESS OTHERWISE SPECIFIED) .XX ± .03 .XXX ± .015 ANGULAR ± 1/2°	PART NAME CHASSIS	DWG NO. 5F2CH REV B
SCALE 7:8	NO. PER ASSY 1	CAD NO. 5F2CH_INST SHEET 1 OF 2

REVISIONS			
REV	DESCRIPTION	DATE	APPROVED
B	FOR CUSTOMER APPROVAL	7/2/09	E.F.P.



AUXILLARY SILKSCREEN VIEW  
 FOR REFERENCE ONLY  
 USE CUSTOMER SUPPLIED TEMPLATE  
 FOR CORRECT FONT AND POINT

MATERIAL-.06 BRIGHT ANNEALED SS	<b>estes</b> 470 S. MITTHOEFFER RD. INDIANAPOLIS IN 46229	
TOLERANCES (UNLESS OTHERWISE SPECIFIED) .XX ± .03 .XXX ± .015 ANGULAR ± 1/2°	<b>WEBER SPEAKERS</b>	
SCALE 7:8	07/02/09	NO. PER ASSY 1
CAD NO. 5F2CH_INST	DWG NO. 5F2CH	REV B
SHEET 2	OF 2	