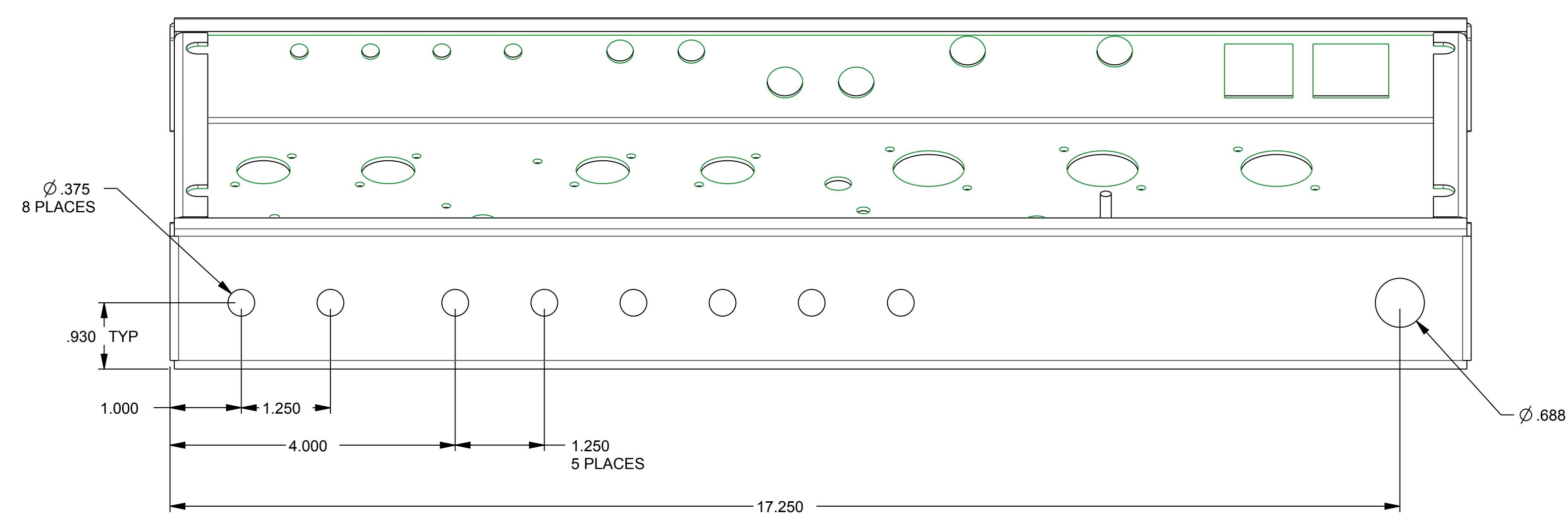
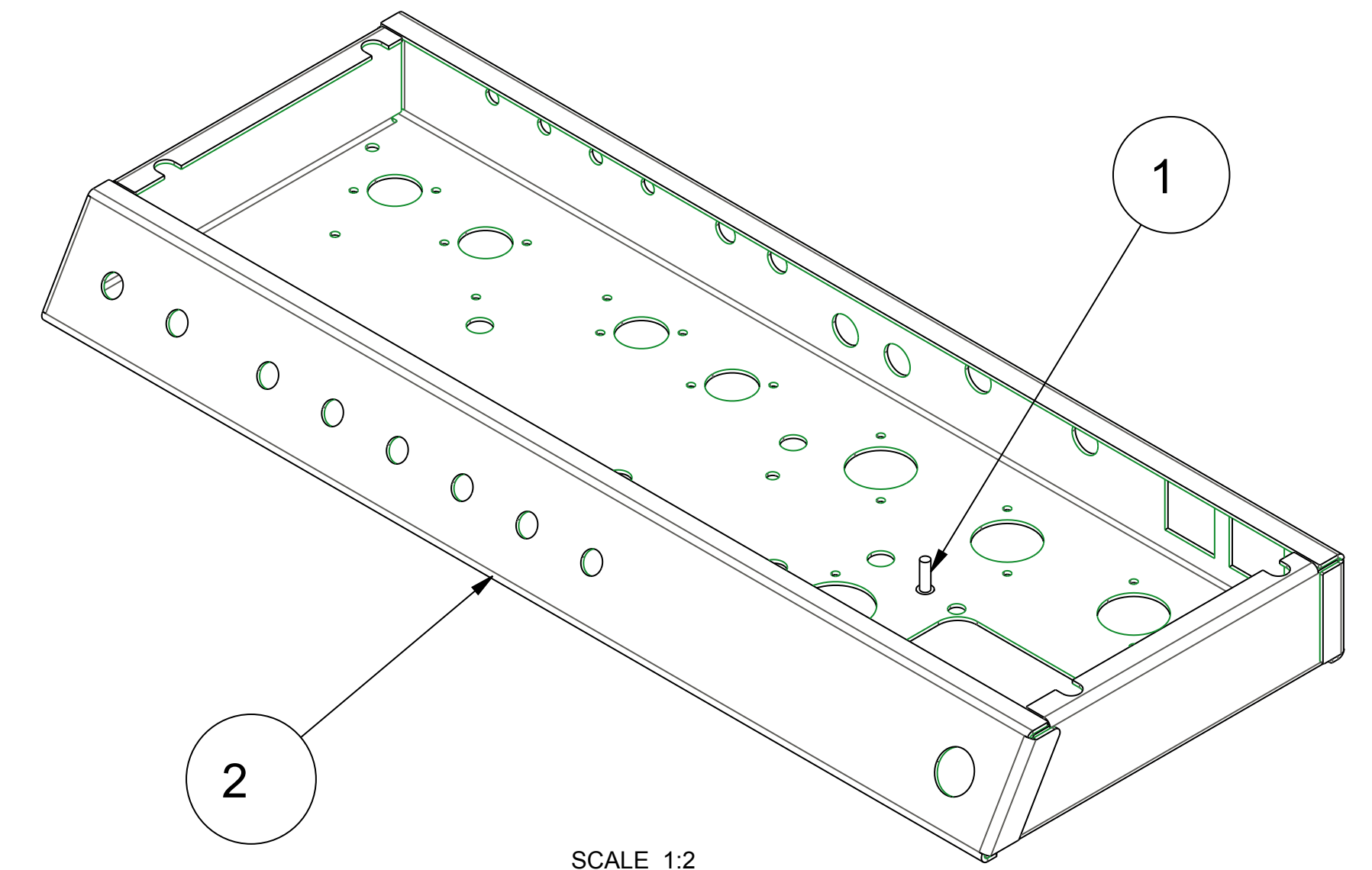


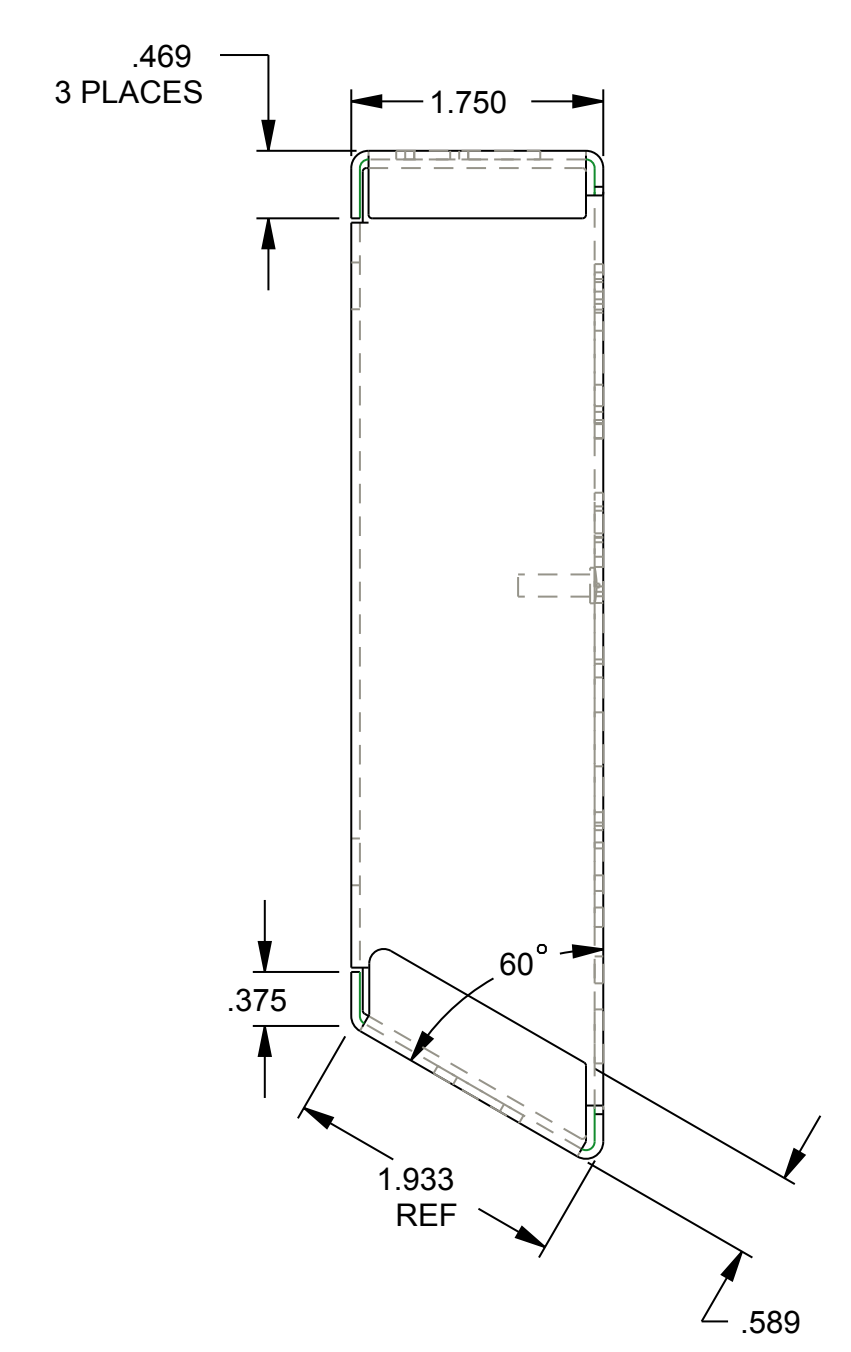
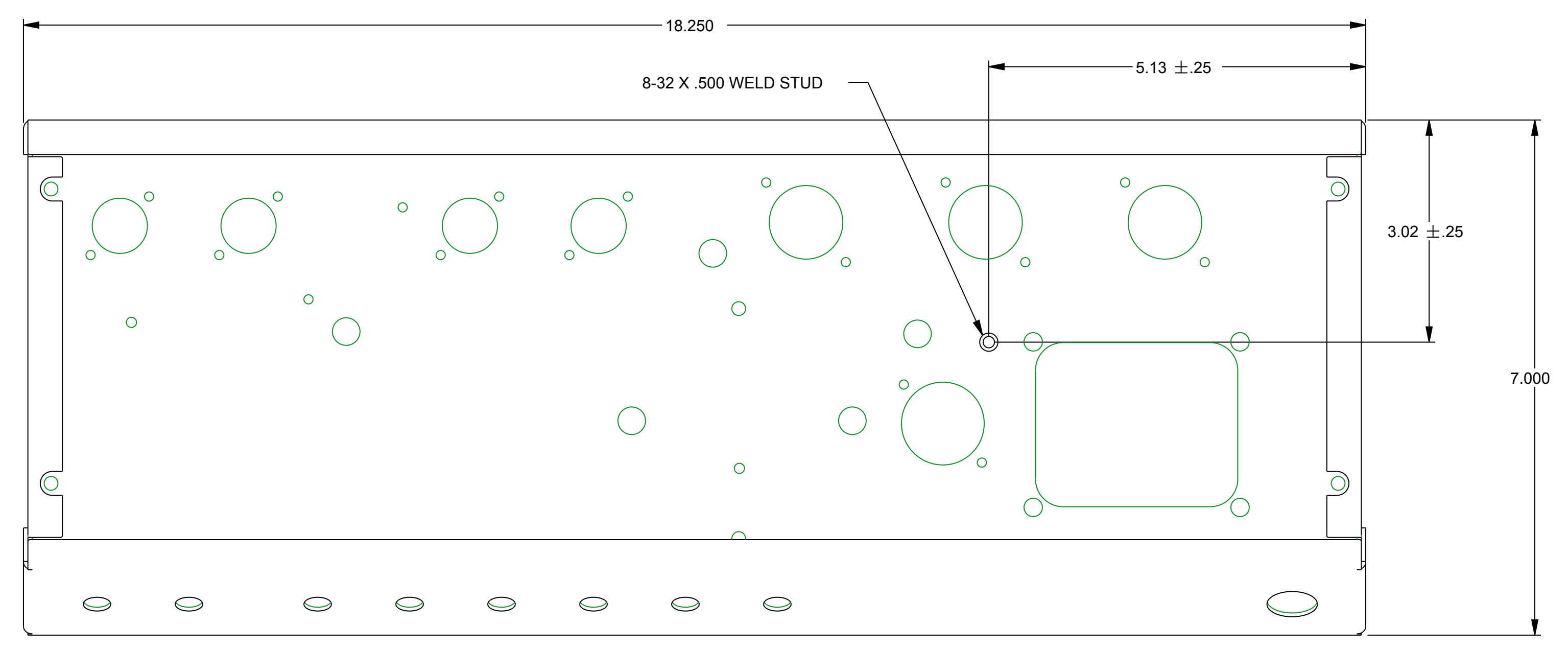
REVISIONS			
REV	DESCRIPTION	DATE	APPROVED
B	RELEASED TO PRODUCTION	4/8/09	E.F.P.



FACE VIEW



SCALE 1:2



ITEM	PART NUMBER	DESCRIPTION	QTY	REV	CAD NUMBER
1	8_32_500_WELD_STUD	8-32 X 0.500 WELD STUD	1	A	8_32_500_WELD_STUD
2	6A14	CHASSIS	1	B	6A14CH

ASSEMBLY

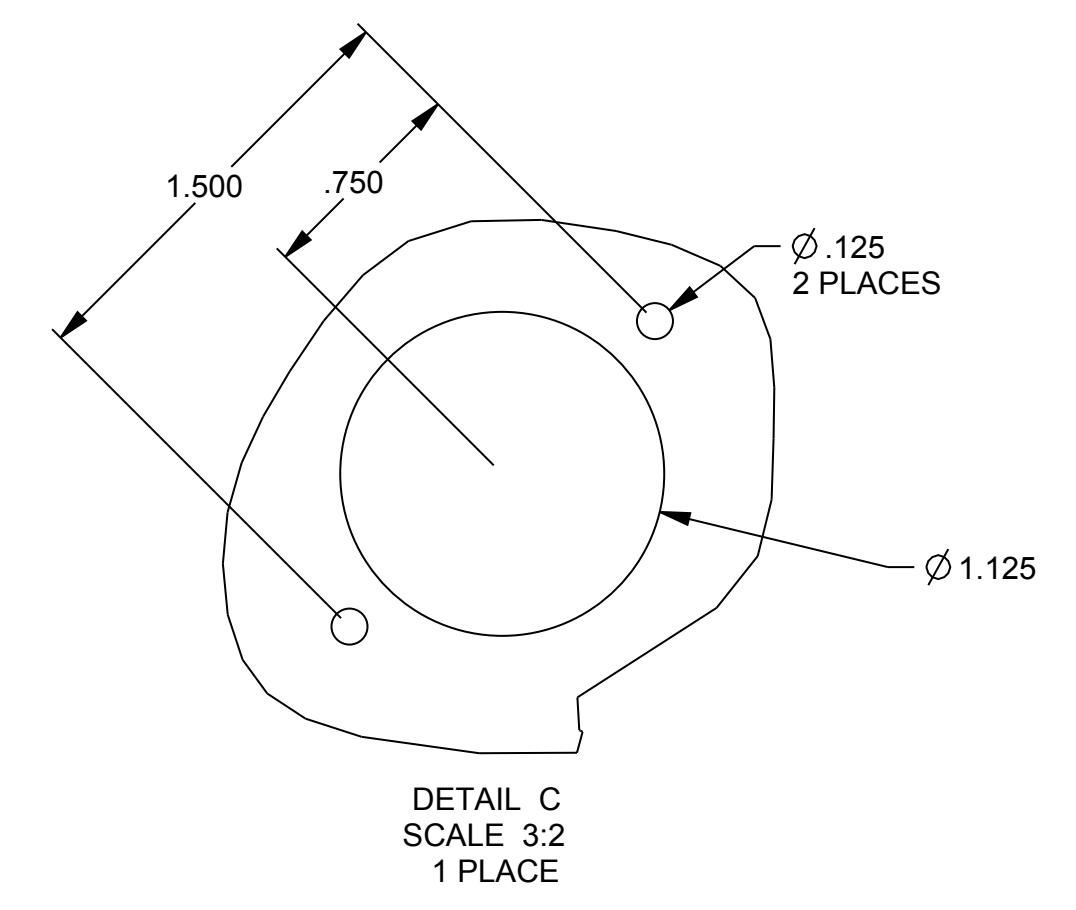
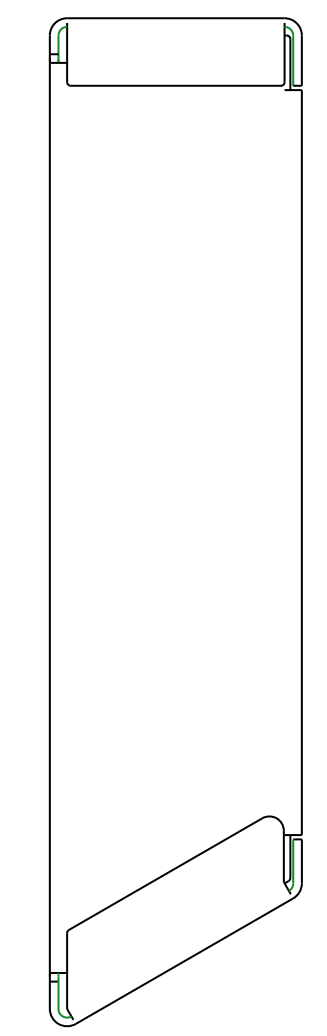
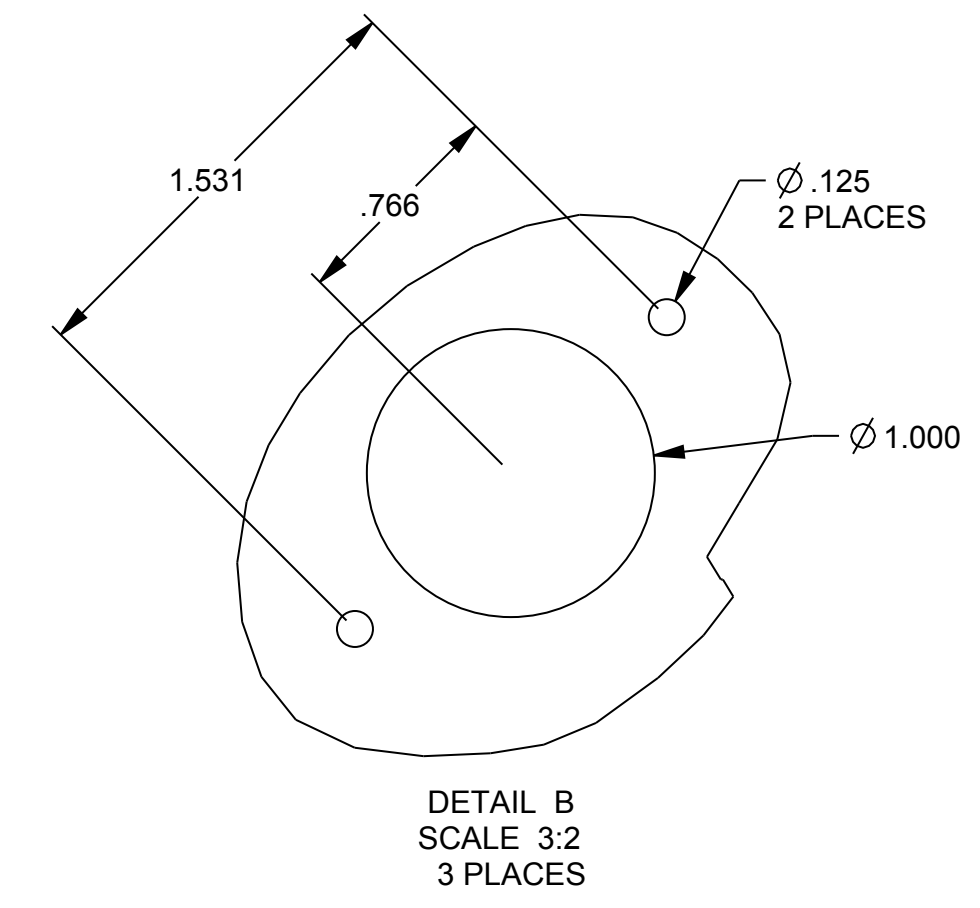
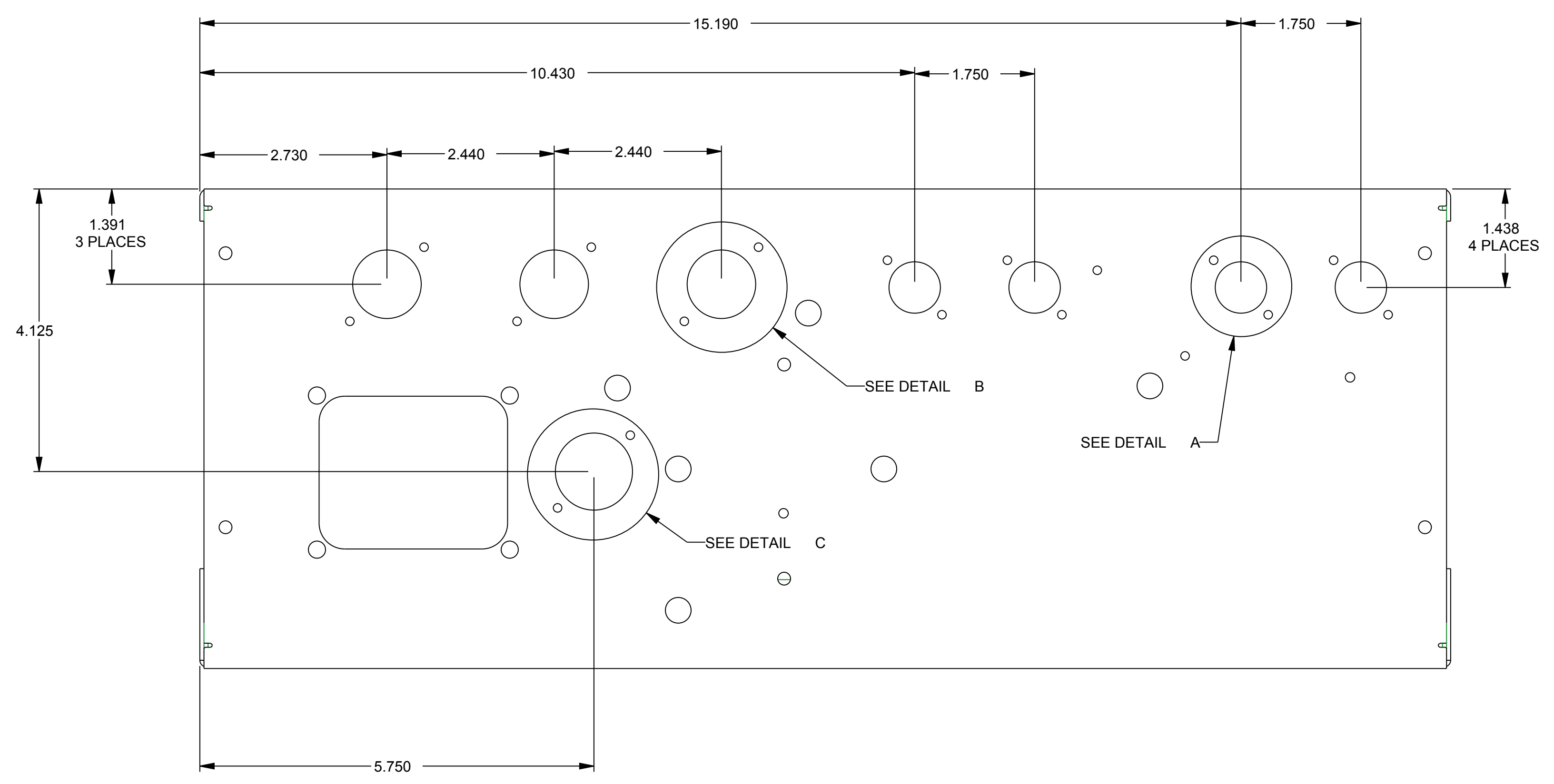
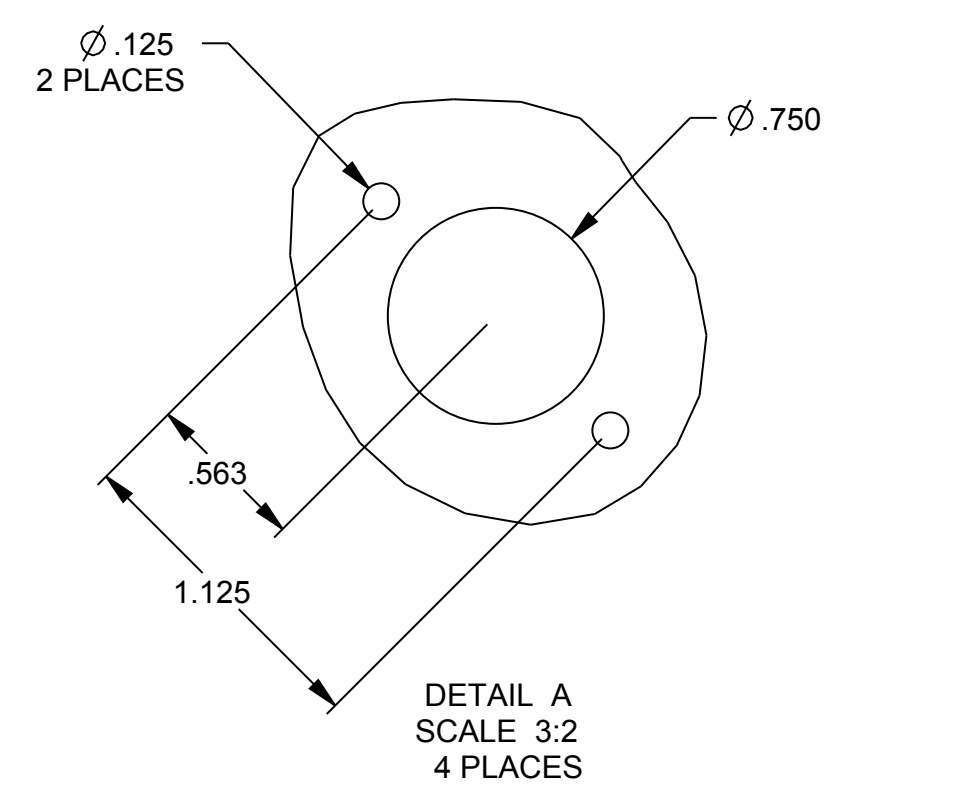
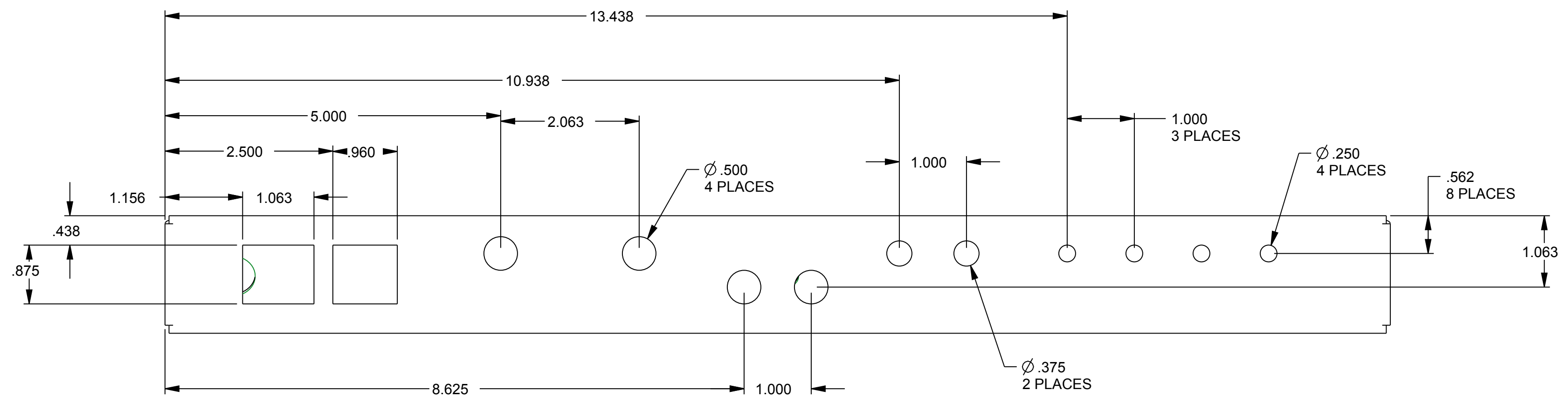
estes 470 S. MITTHOEFFER RD. INDIANAPOLIS IN 46229

WEBER SPEAKER

TOLERANCES (UNLESS OTHERWISE SPECIFIED):
 .XX ± .03
 .XXX ± .015
 ANGULAR ± 1/2°

PART NAME	CHASSIS	DWG NO.	6A14CH	REV	B
SCALE	3:4	DATE	04/08/09	CAD NO.	6A14CH_ASSY
			SHEET	OF 3	

REVISIONS			
REV	DESCRIPTION	DATE	APPROVED
B	RELEASED TO PRODUCTION	4/8/09	E.F.P.



ITEM	PART NUMBER	DESCRIPTION	QTY	REV	CAD NUMBER
1	8_32_500_WELD_STUD	8-32 X 0.500 WELD STUD	1	A	8_32_500_WELD_STUD
2	6A14	CHASSIS	1	B	6A14CH

ASSEMBLY **estes** 470 S. MITTHOEFFER RD. INDIANAPOLIS IN 46229

WEBER SPEAKER

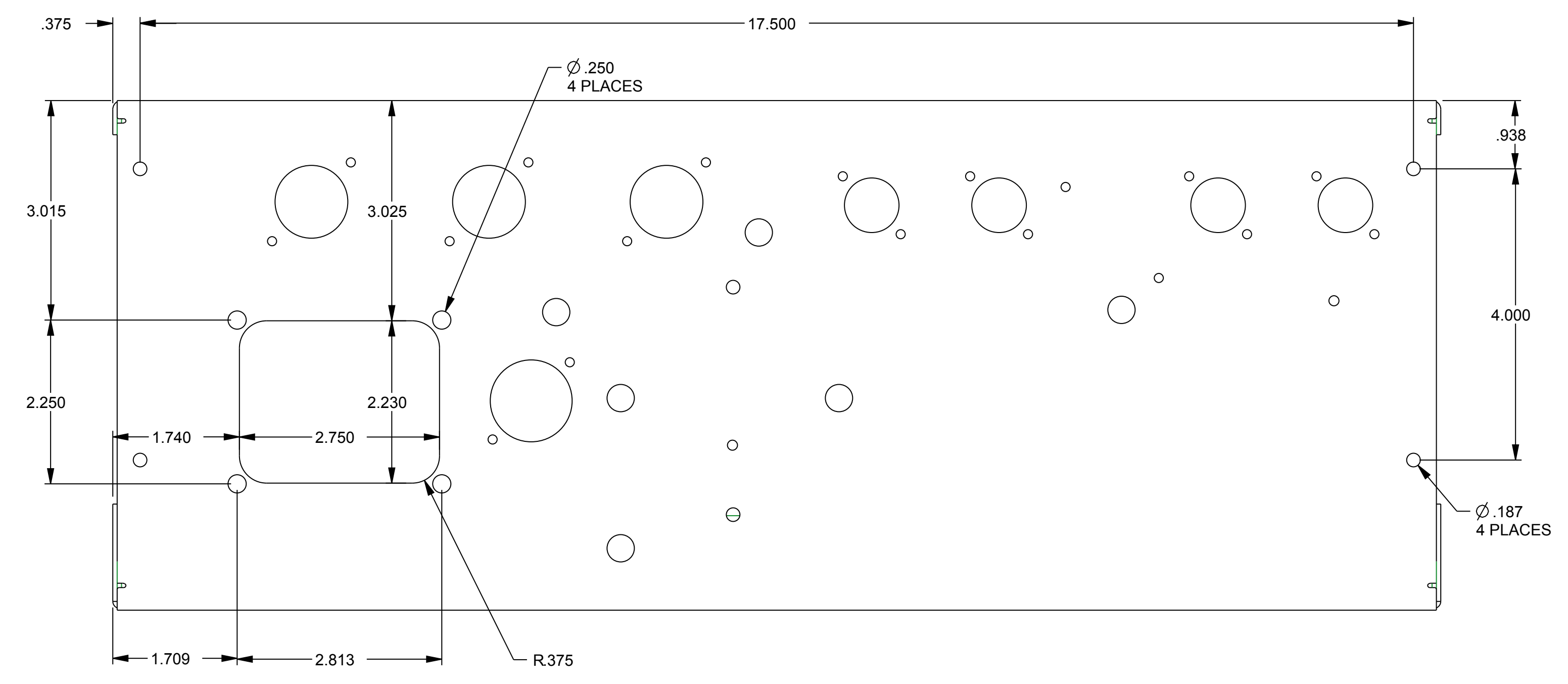
TOLERANCES (UNLESS OTHERWISE SPECIFIED)
 .XX ± .03
 .XXX ± .015
 ANGULAR ± 1/2°

SCALE 3:4 04/07/09

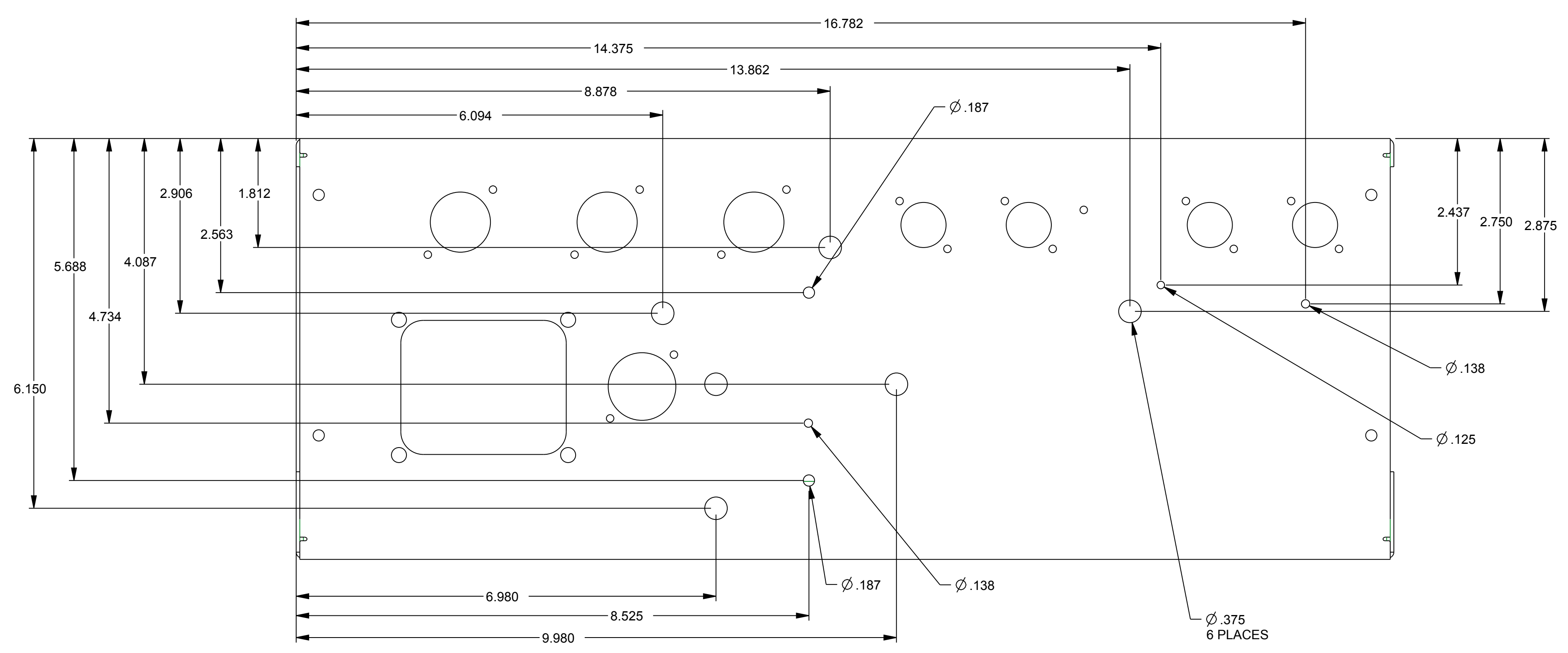
PART NAME CHASSIS DWG NO. 6A14CH REV B

CAD NO. 6A14CH_ASSY SHEET 2 OF 3

REVISIONS			
REV	DESCRIPTION	DATE	APPROVED
B	RELEASED TO PRODUCTION	4/8/09	E.F.P.



AUXILLARY BOTTOM VIEWS



ITEM	PART NUMBER	DESCRIPTION	QTY	REV	CAD NUMBER
1	8_32_500_WELD_STUD	8-32 X 0.500 WELD STUD	1	A	8_32_500_WELD_STUD
2	6A14	CHASSIS	1	B	6A14CH

ASSEMBLY <small>TOLERANCES (UNLESS OTHERWISE SPECIFIED)</small> .XX ± .03 .XXX ± .015 ANGULAR ± 1/2°	estes 470 S. MITTHOEFFER RD. INDIANAPOLIS IN 46229	
	WEBER SPEAKER	
PART NAME CHASSIS	DWG NO. 6A14CH	REV B
SCALE 3:4	04/08/09	SHEET 03 OF 3