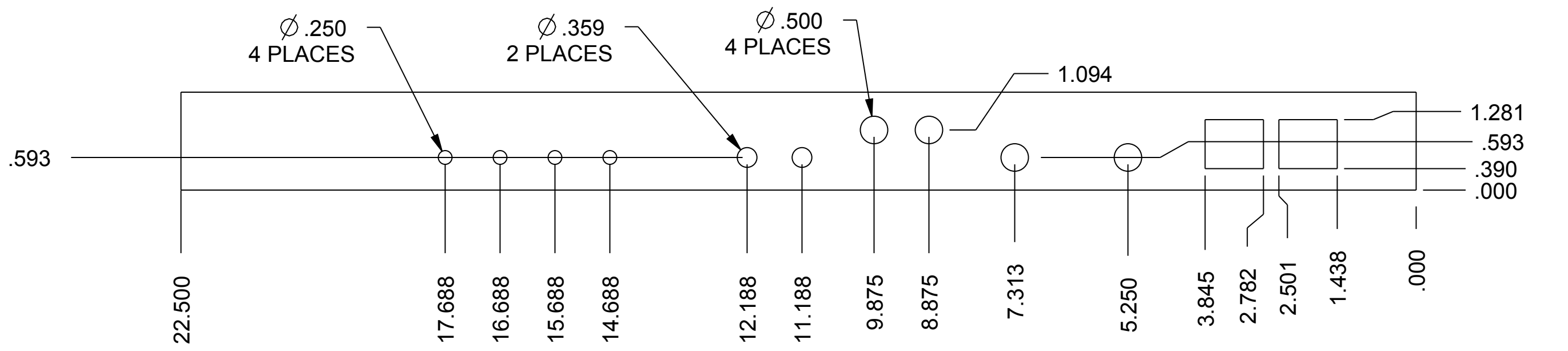
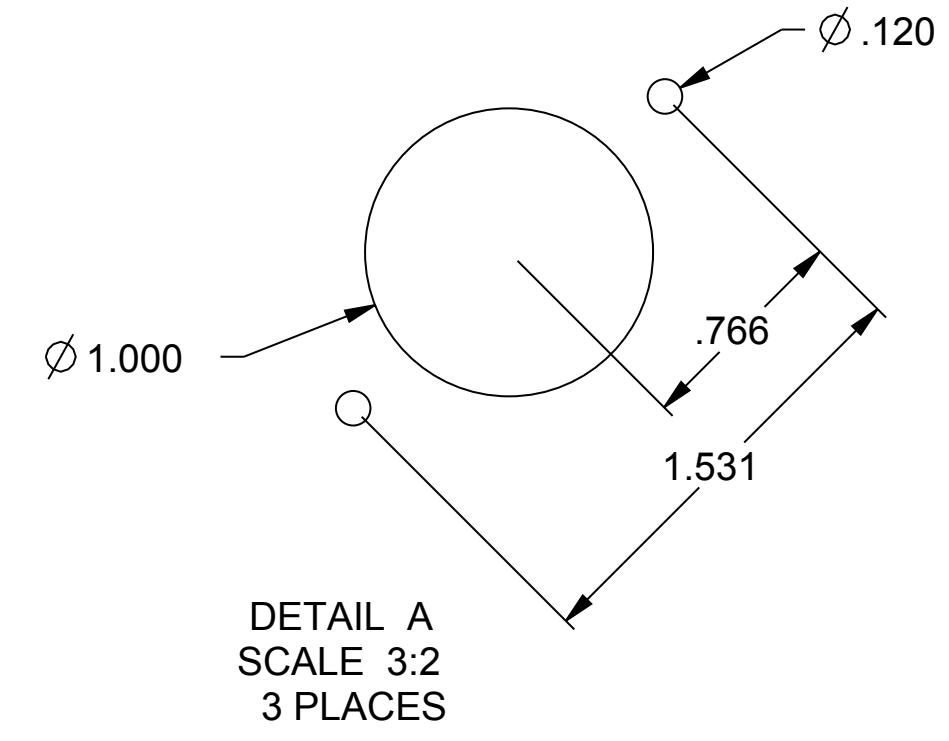
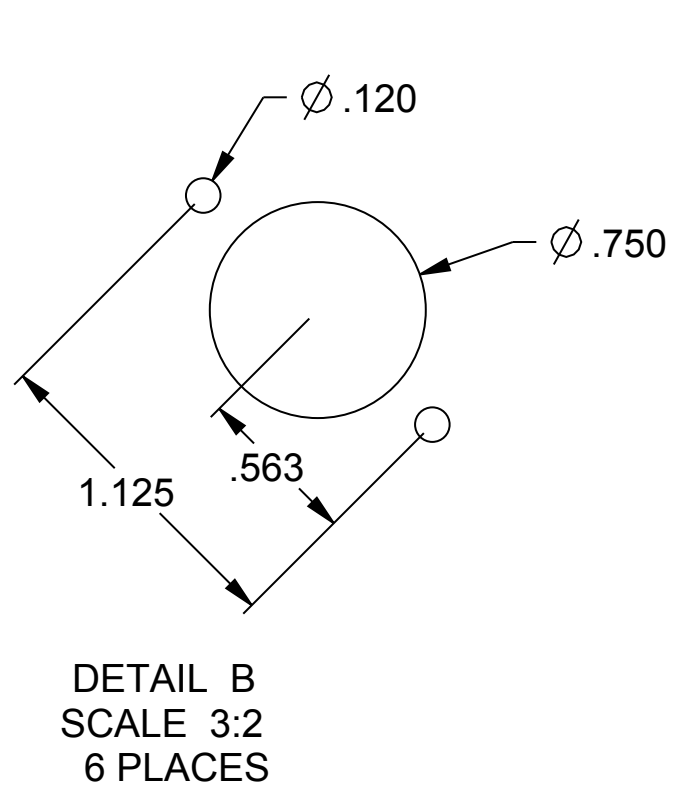
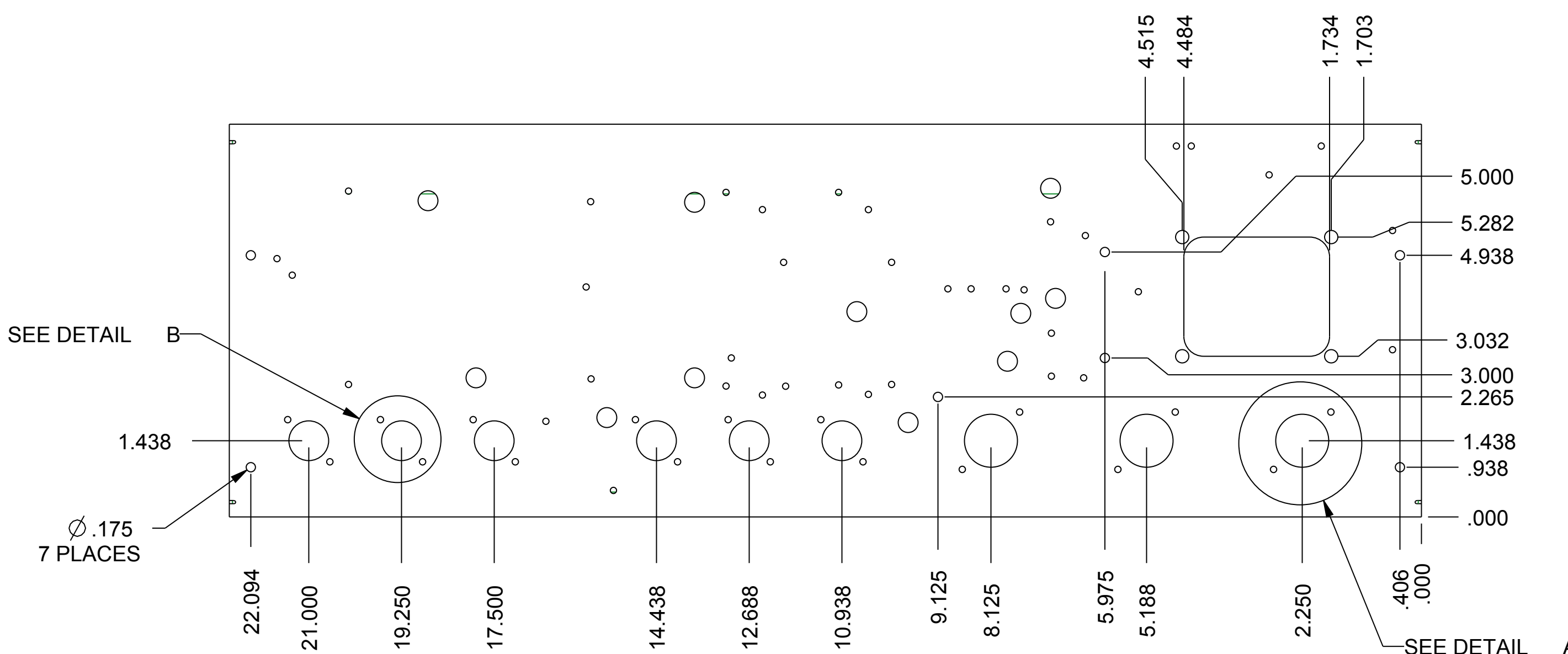
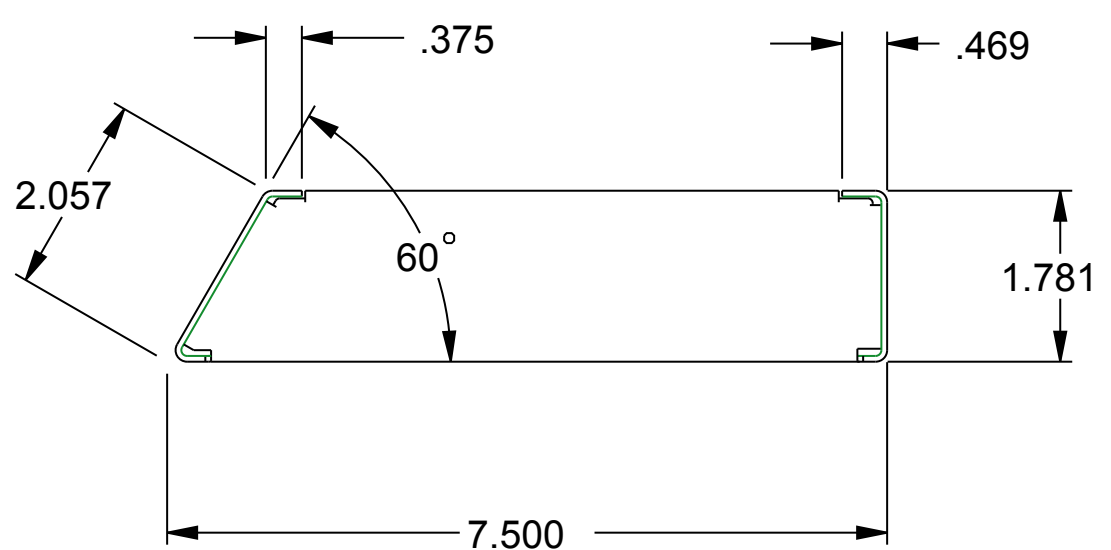
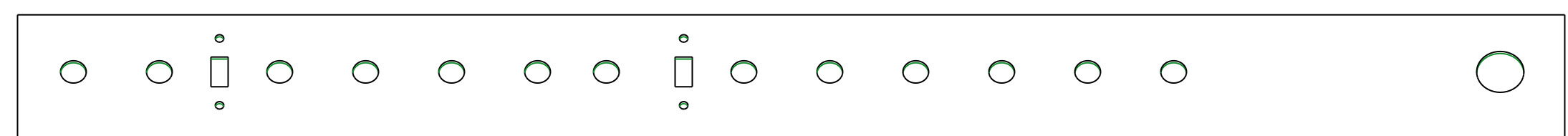
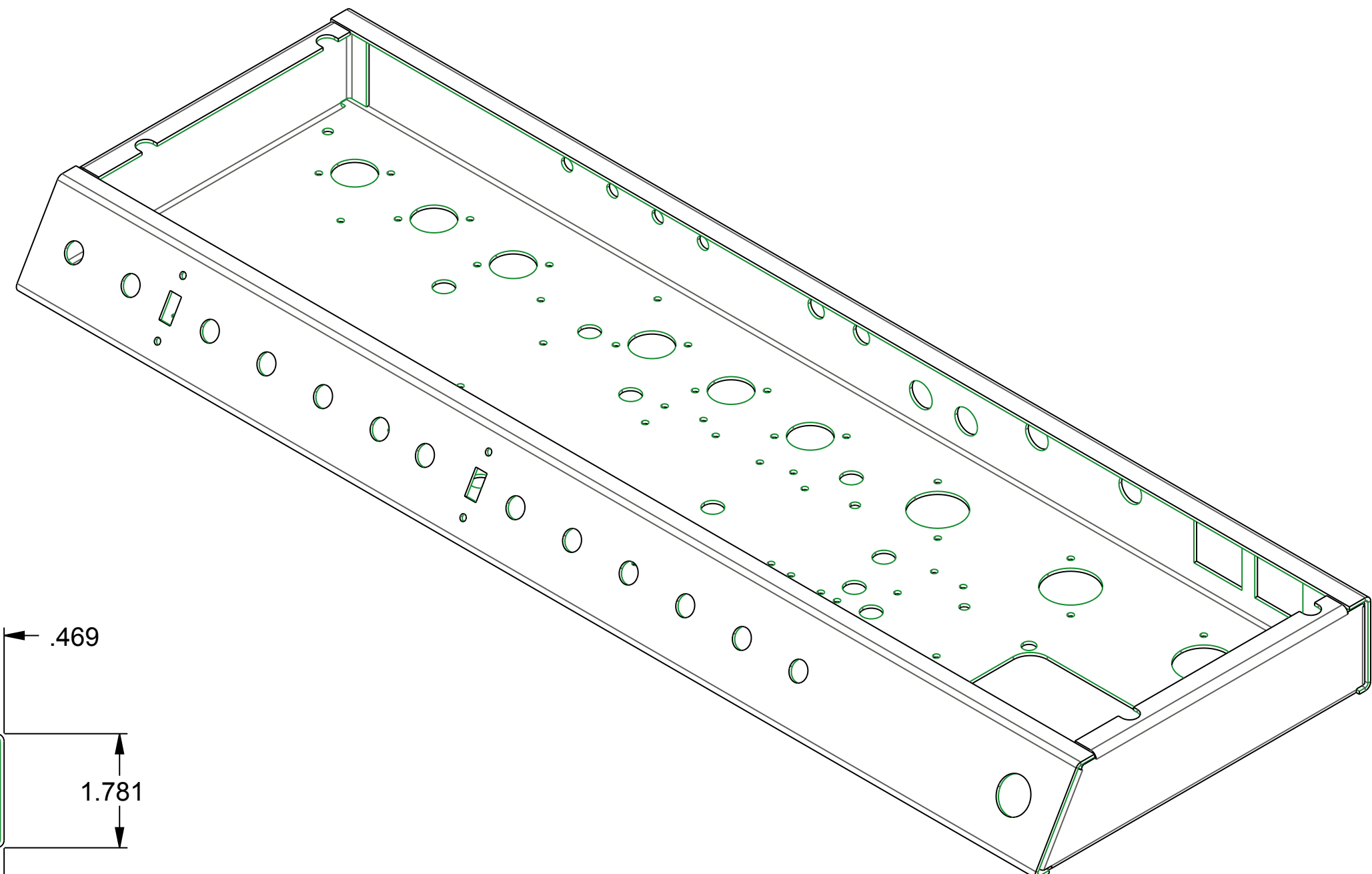
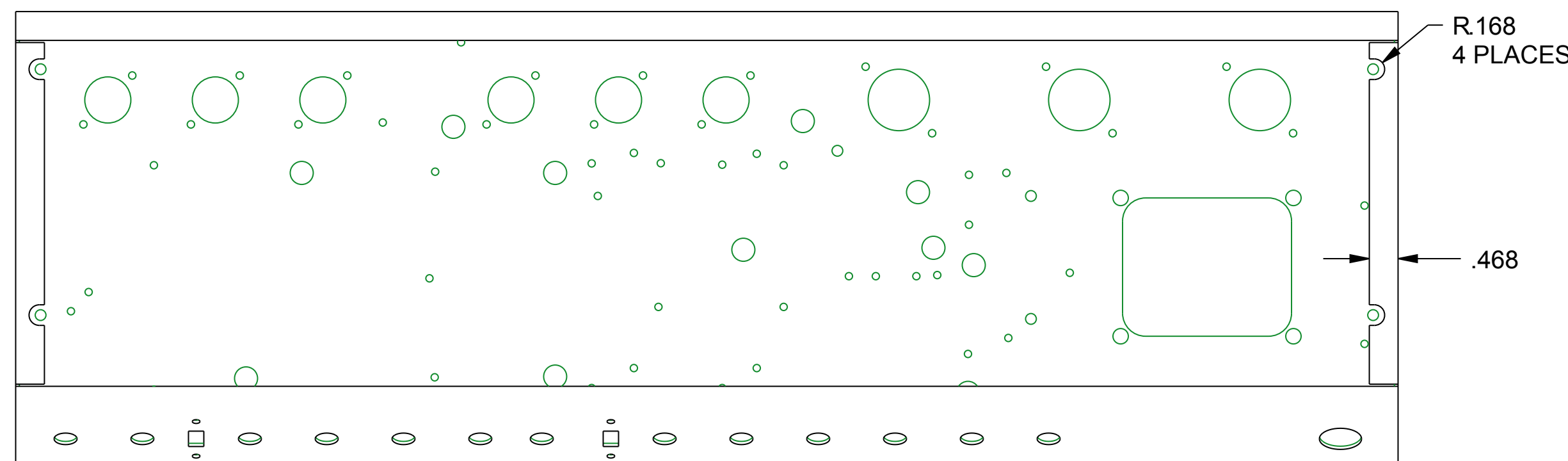
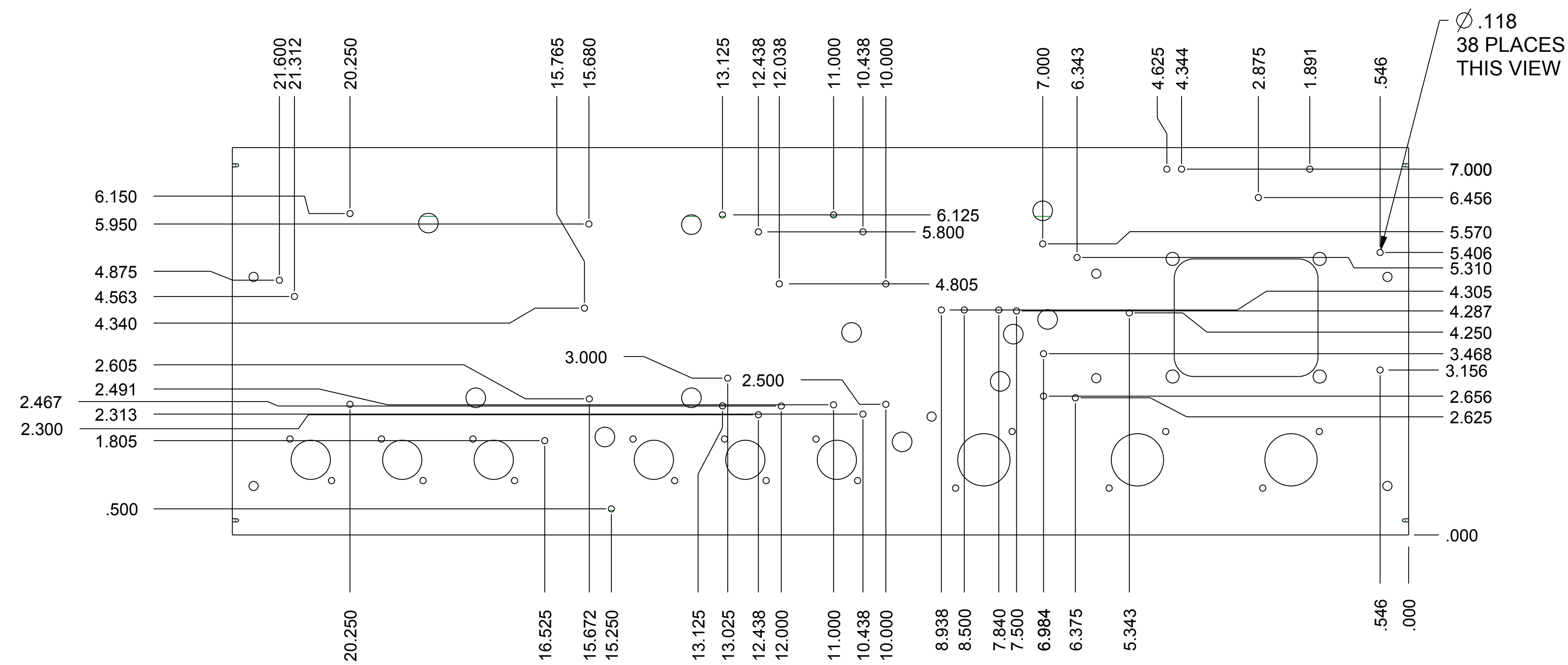


REVISIONS			
REV	DESCRIPTION	DATE	APPROVED
-	RELEASED TO PRODUCTION	3/10/09	E.F.P.

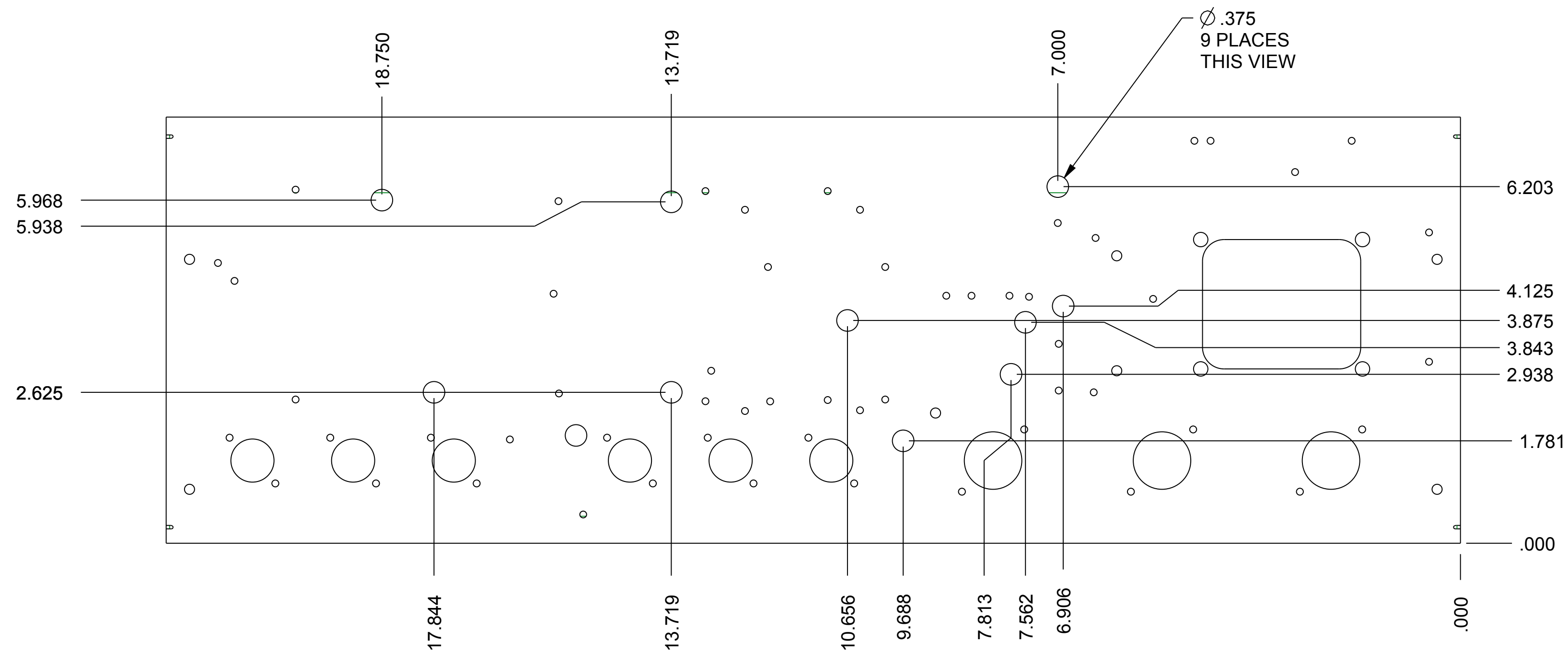


MATERIAL-0.060 16 GA S/S	estes 470 S. MITTHOEFFER RD. INDIANAPOLIS IN 46229		
WEBER SPEAKER			
TOLERANCES (UNLESS OTHERWISE SPECIFIED) XX ± .03 XXX ± .015 ANGULAR ± 1/2°	PART NAME CHASSIS	DWG NO. 6A20	REV -
SCALE 1:2	NO. PER ASSY 1	CAD NO. 6A20CH	SHEET 1 OF 3


REVISIONS			
REV	DESCRIPTION	DATE	APPROVED
-	RELEASED TO PRODUCTION	3/10/09	E.F.P.



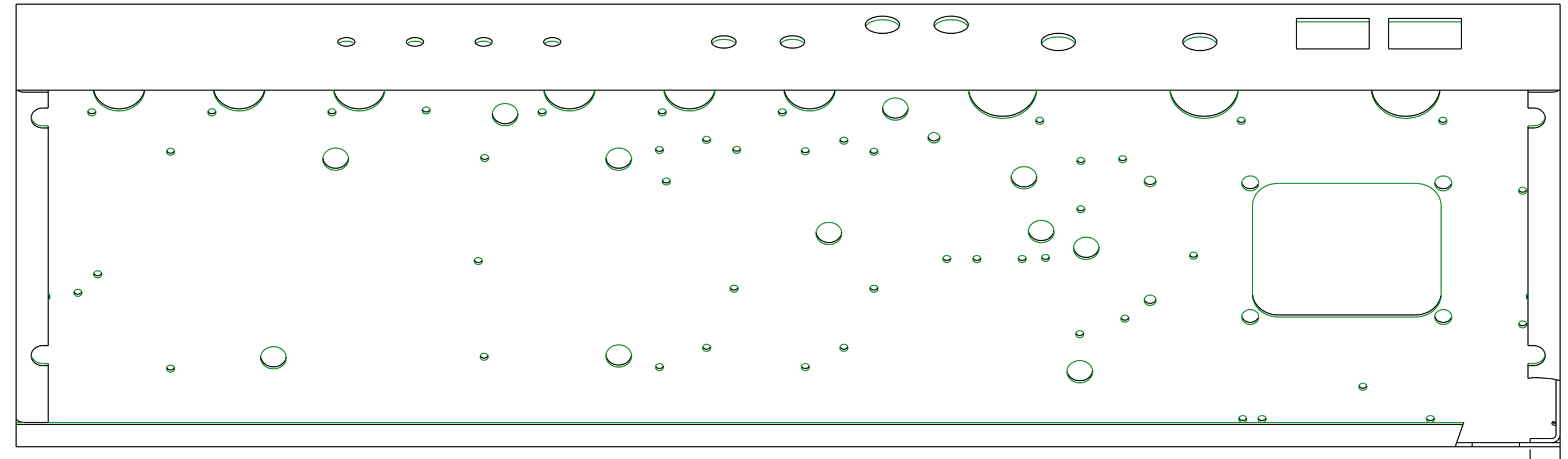
Ø .118 DETAIL, BOTTOM VIEW



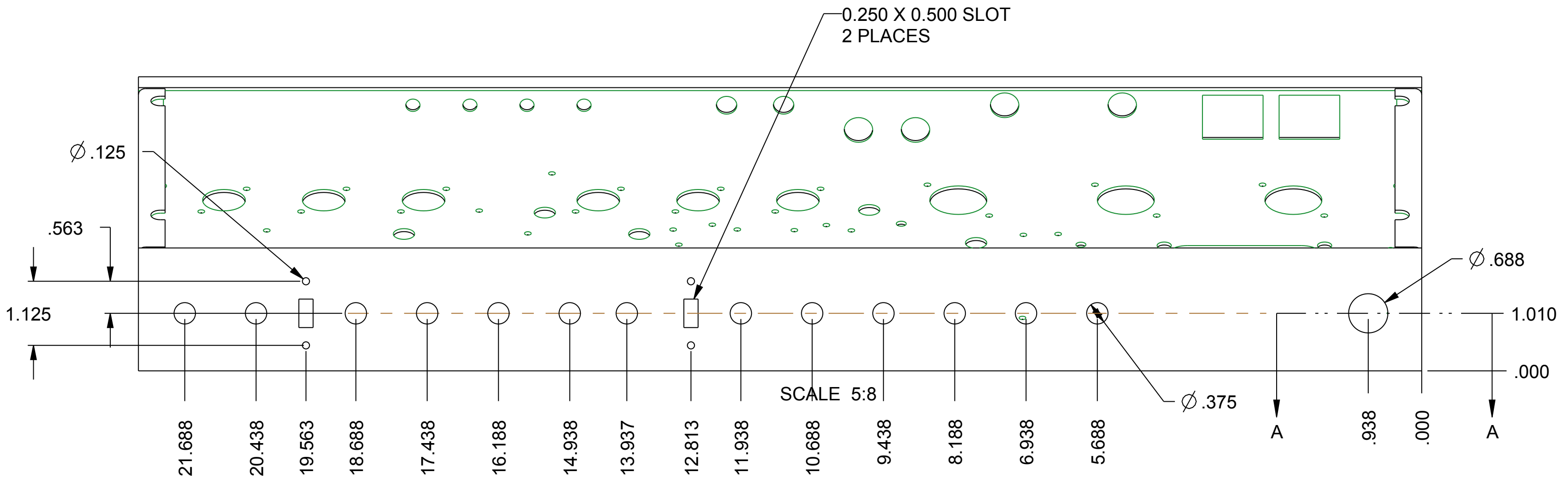
Ø .375 DETAIL, BOTTOM VIEW

MATERIAL-0.060 16 GA S/S		 470 S. MITTHOEFFER RD. INDIANAPOLIS IN 46229	
<small>TOLERANCES (UNLESS OTHERWISE SPECIFIED)</small> .XX ± .03 .XXX ± .015 ANGULAR ± 1/2°		WEBER SPEAKER PART NAME CHASSIS DWG NO. 6A20 REV	
SCALE 1:2	03/10/09	NO. PER ASSY 1	CAD NO. 6A20CH SHEET 2 OF 3

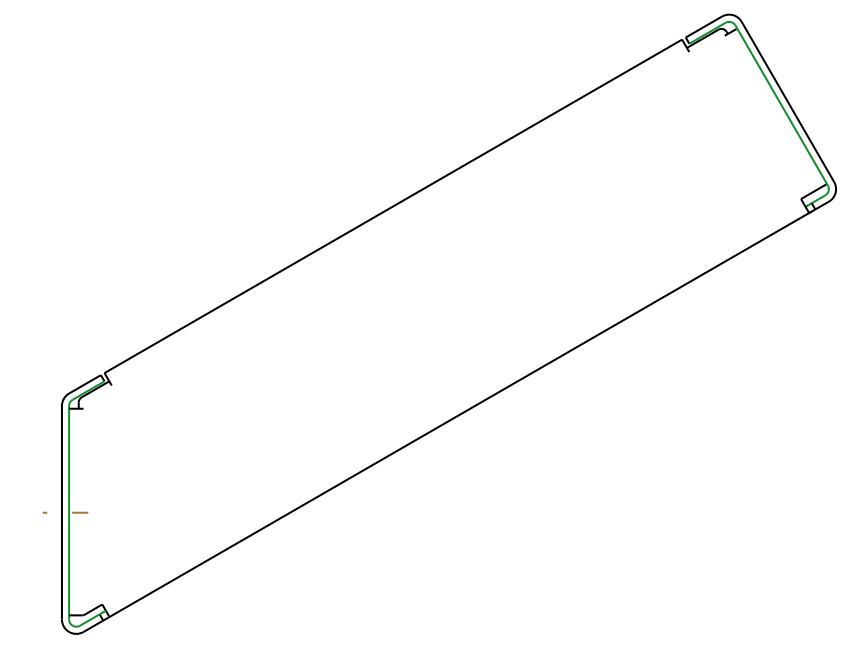
REVISIONS			
REV	DESCRIPTION	DATE	APPROVED
-	RELEASED TO PRODUCTION	3/10/09	E.F.P.



SECTION A-A



FRONT FACE DETAIL



MATERIAL-0.060 16 GA S/S		estes 470 S. MITTHOEFFER RD. INDIANAPOLIS IN 46229	
TOLERANCES (UNLESS OTHERWISE SPECIFIED) .XX ± .03 .XXX ± .015 ANGULAR ± 1/2°		WEBER SPEAKER	
PART NAME	CHASSIS	DWG NO.	6A20
NO. PER ASSY	1	CAD NO.	6A20CH
SCALE	1:2	DATE	03/10/09
		SHEET	OF 3