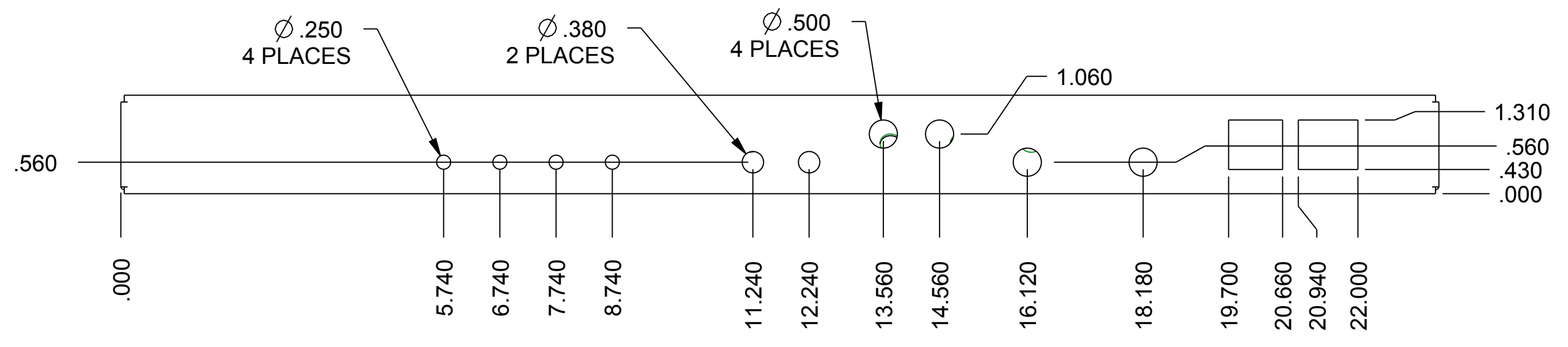
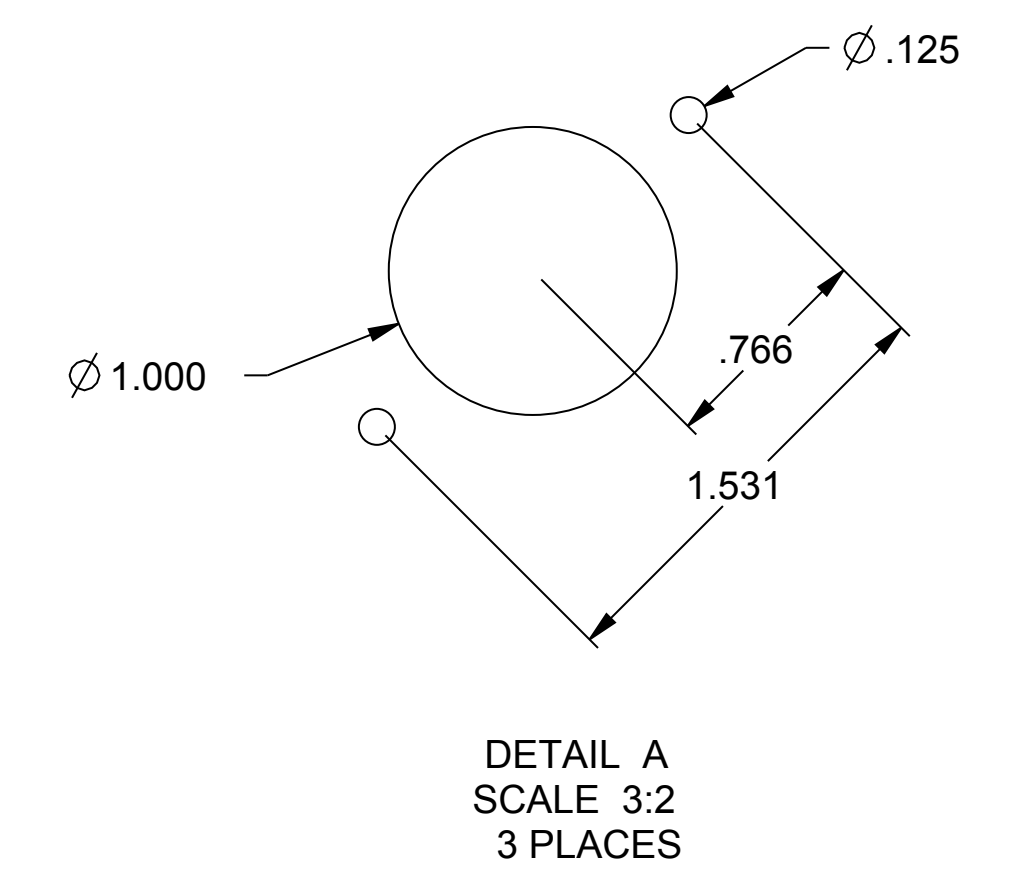
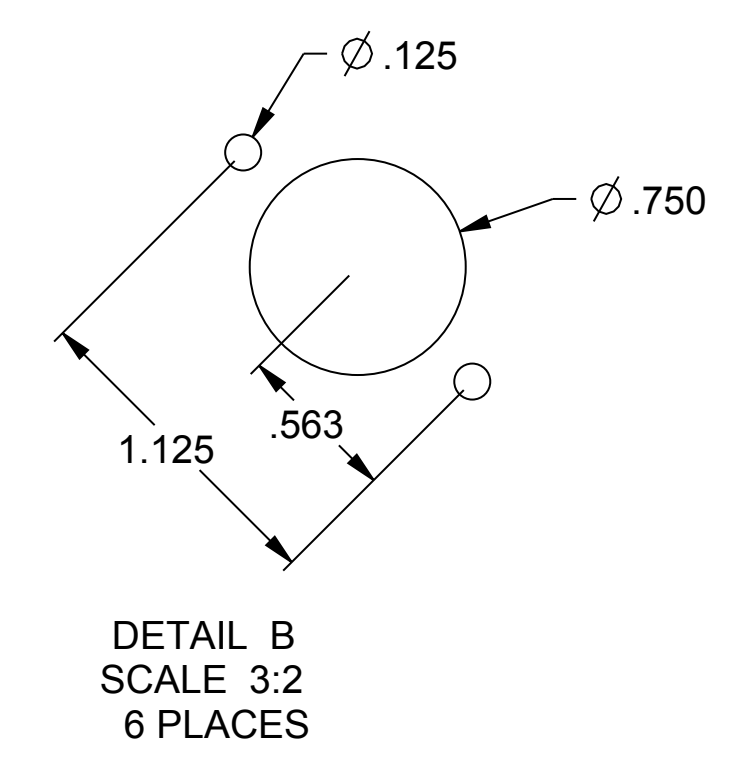
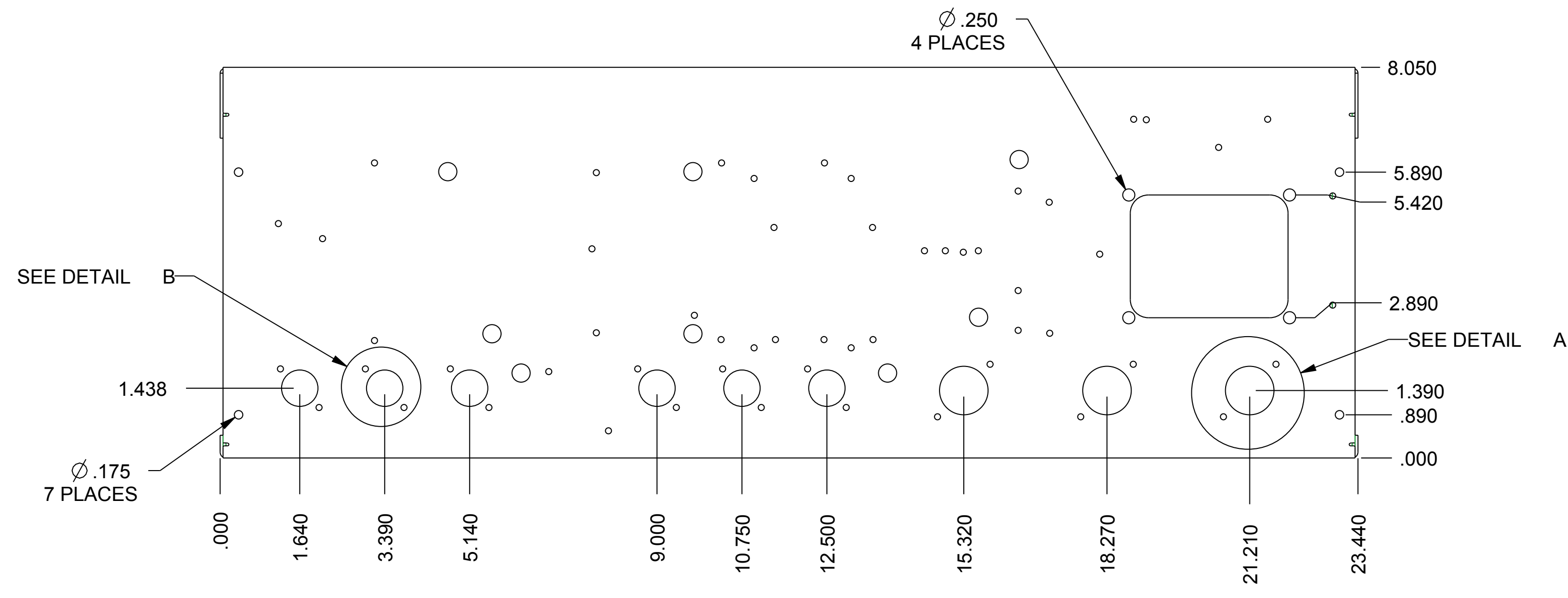
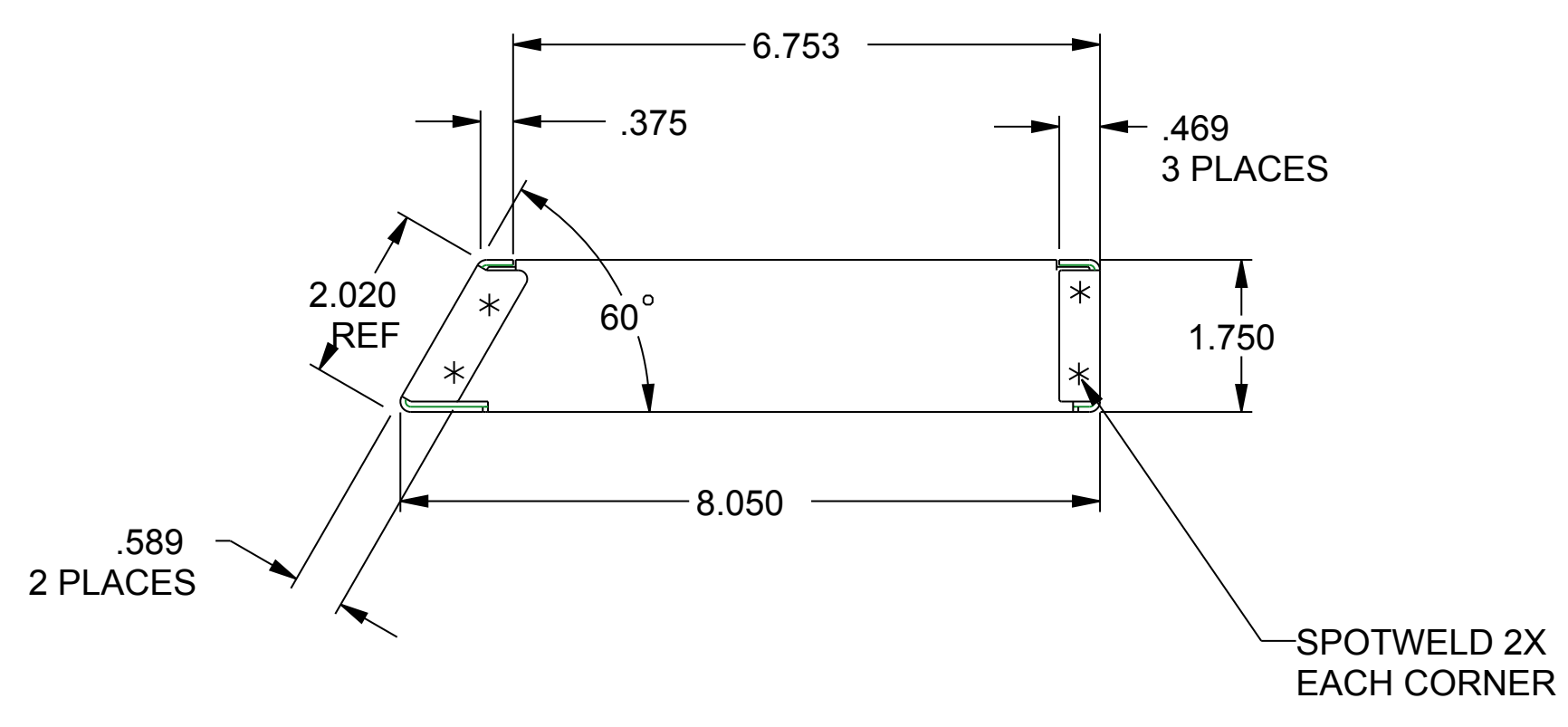
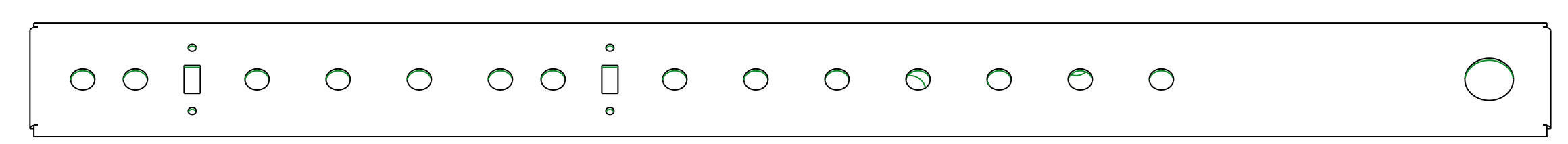
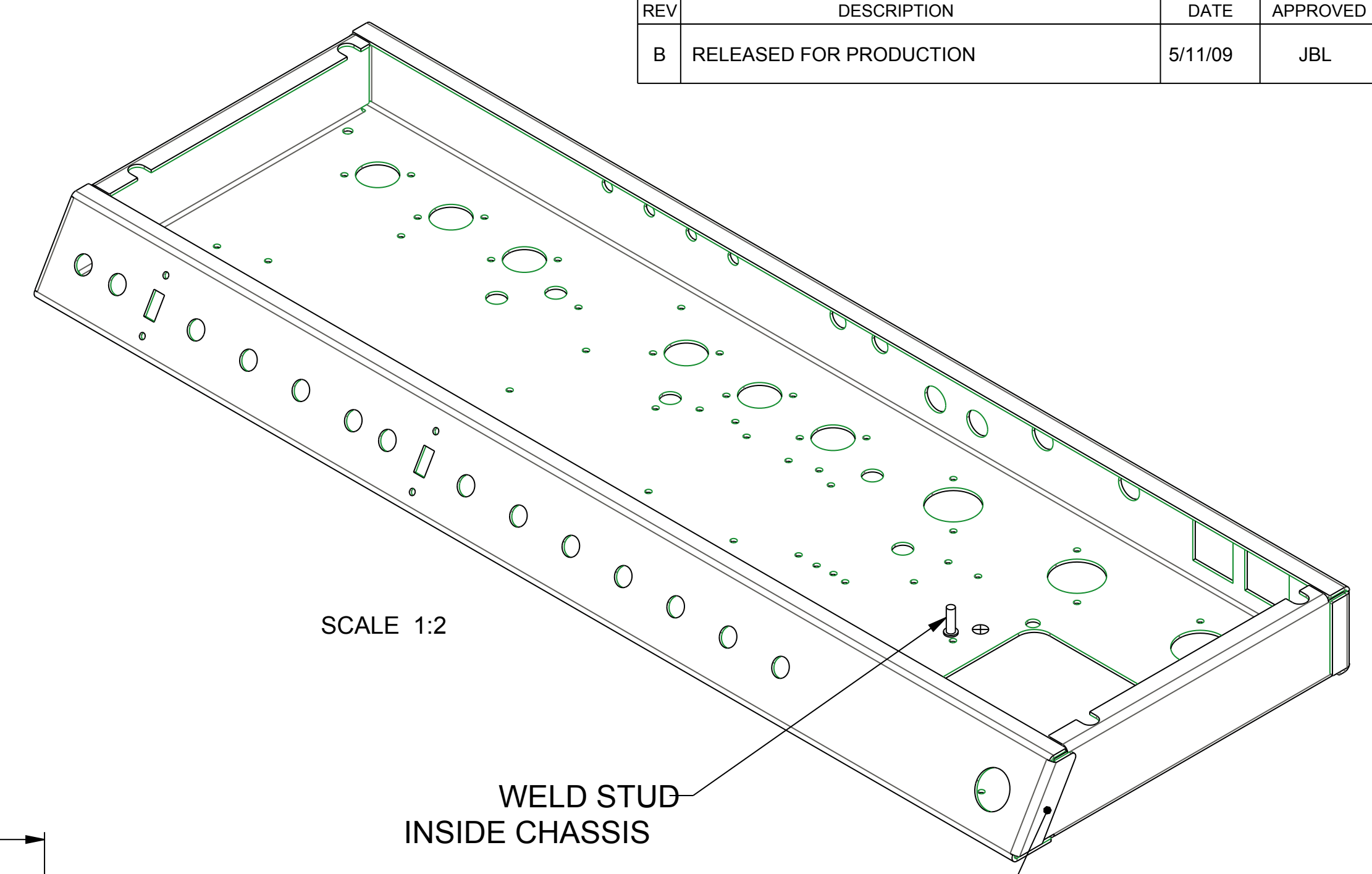
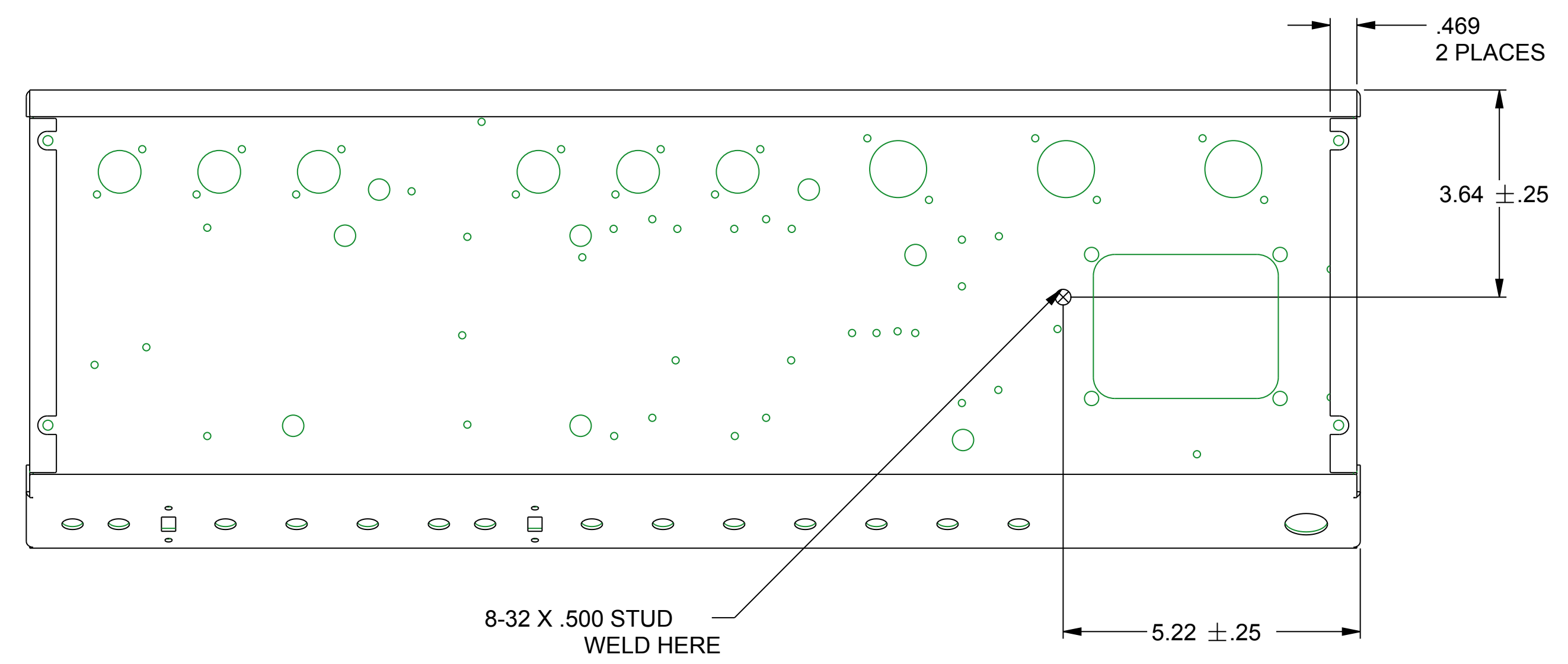
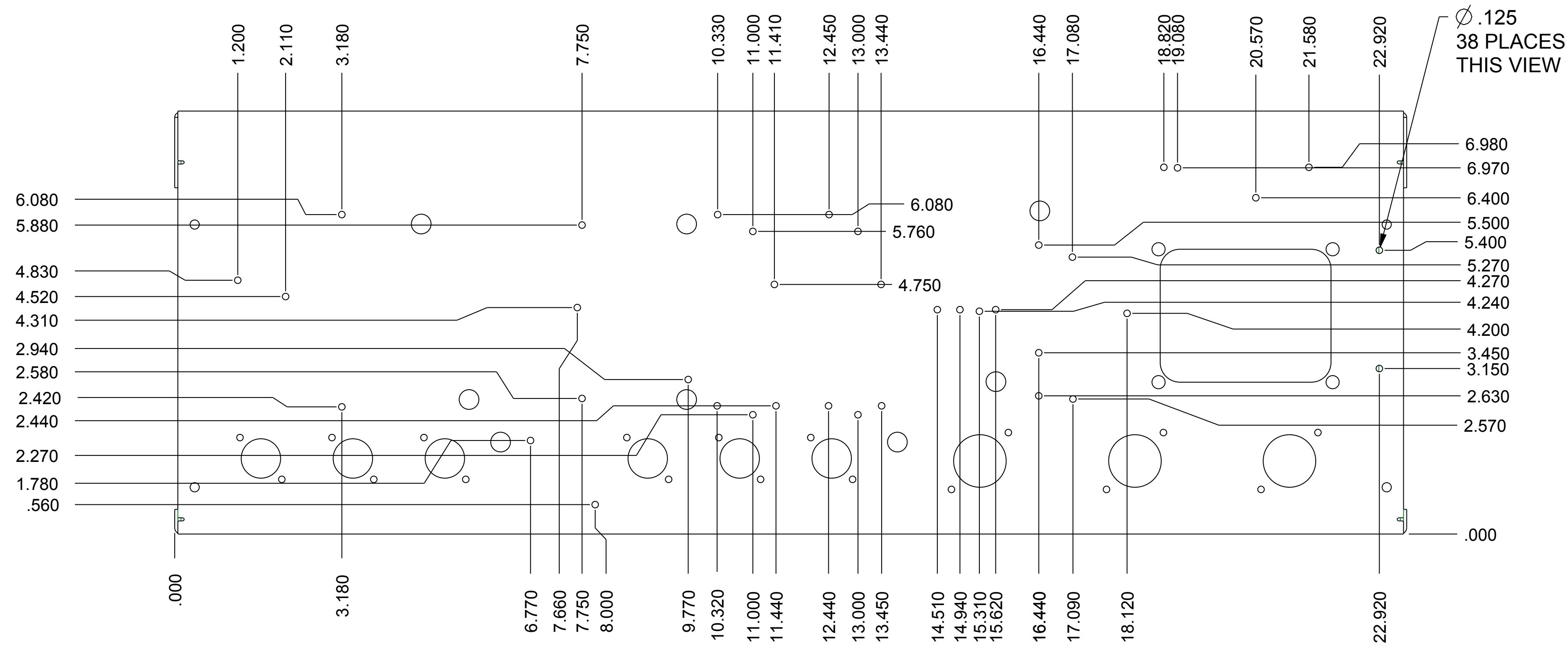


REVISIONS			
REV	DESCRIPTION	DATE	APPROVED
B	RELEASED FOR PRODUCTION	5/11/09	JBL

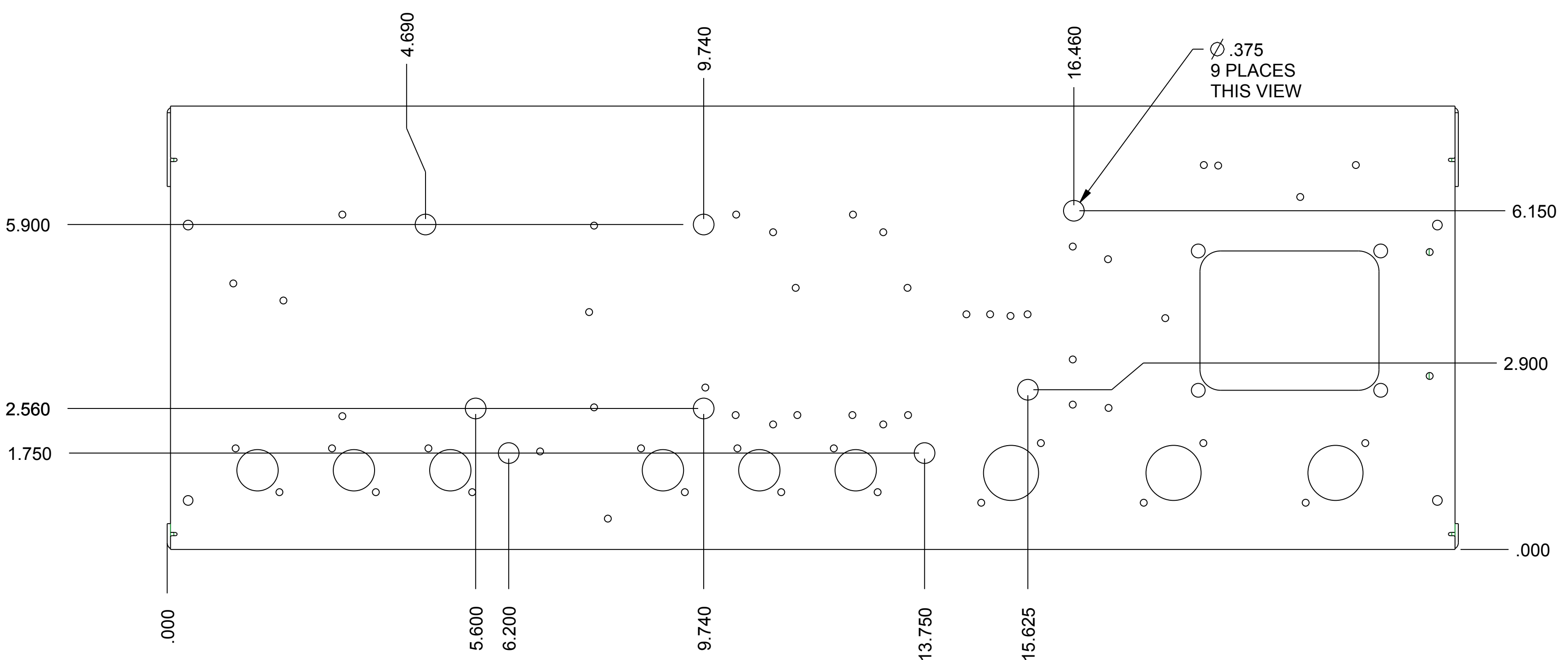


MATERIAL-0.060 16 GA S/S 430-2BA	estes 470 S. MITTHOEFFER RD. INDIANAPOLIS IN 46229	
WEBER SPEAKERS		
TOLERANCES (UNLESS OTHERWISE SPECIFIED) XX ± .03 XXX ± .015 ANGULAR ± 1/2°	PART NAME CHASSIS	DWG NO. 6A40CH REV B
SCALE 1:2	05/07/09	NO. PER ASSY 1 CAD NO. 6A40CH SHEET 1 OF 3

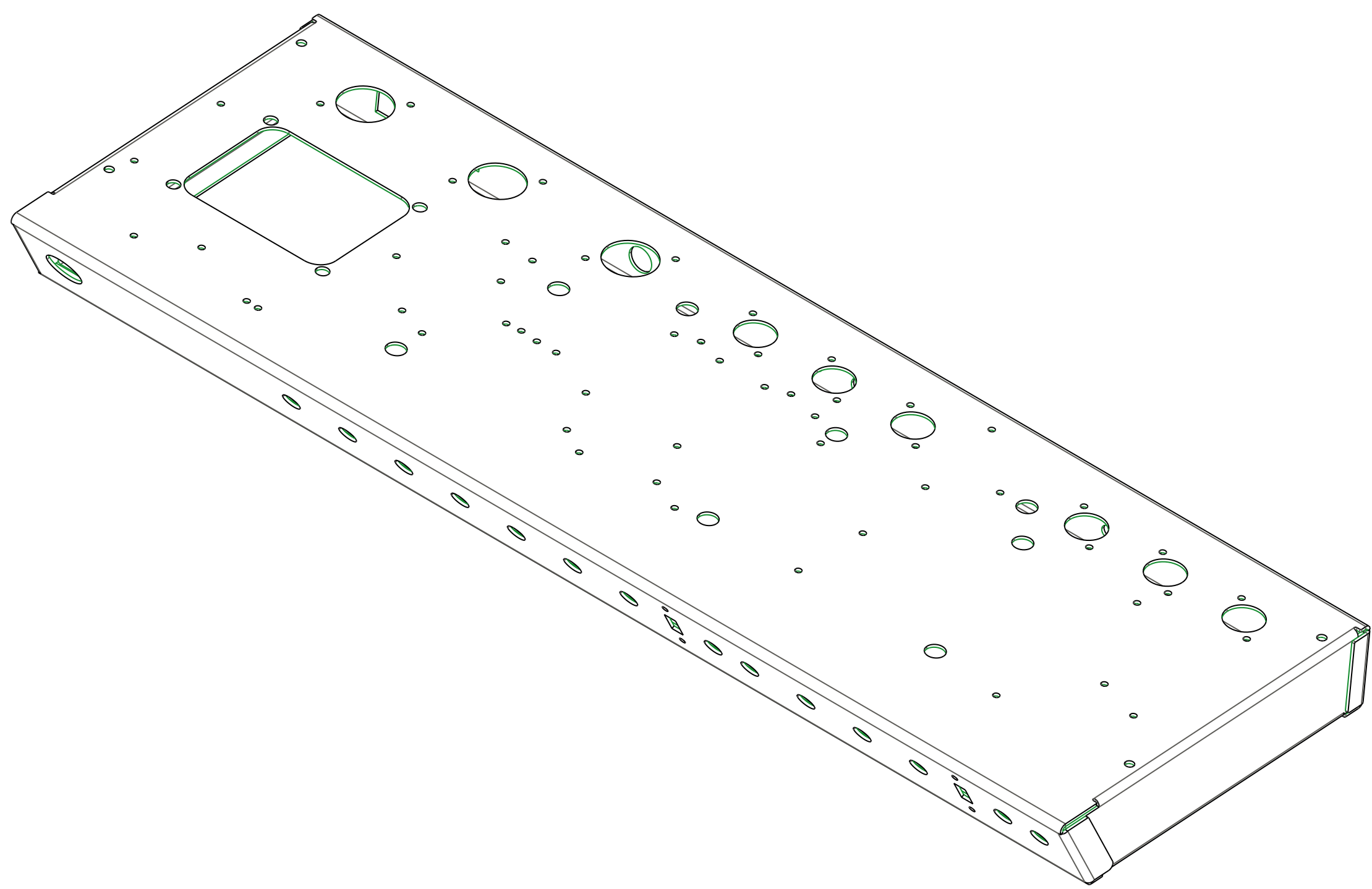
REVISIONS			
REV	DESCRIPTION	DATE	APPROVED
B	RELEASED FOR PRODUCTION	5/11/09	JBL




Ø .125 DETAIL, BOTTOM VIEW

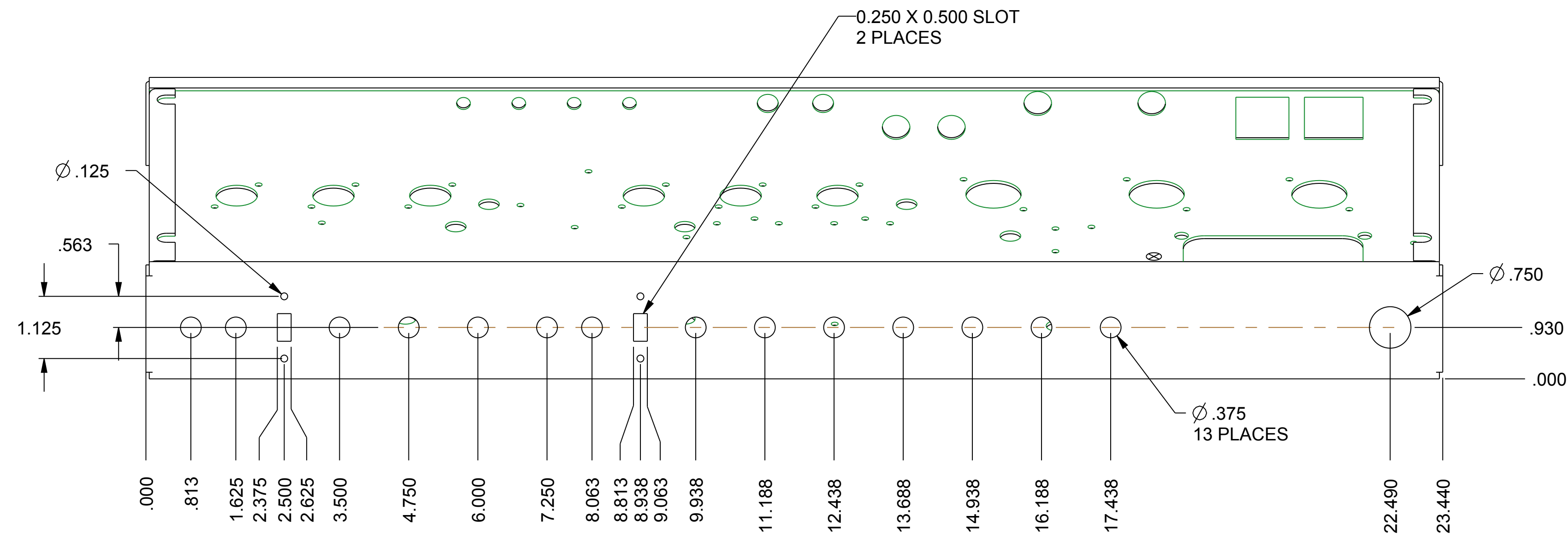
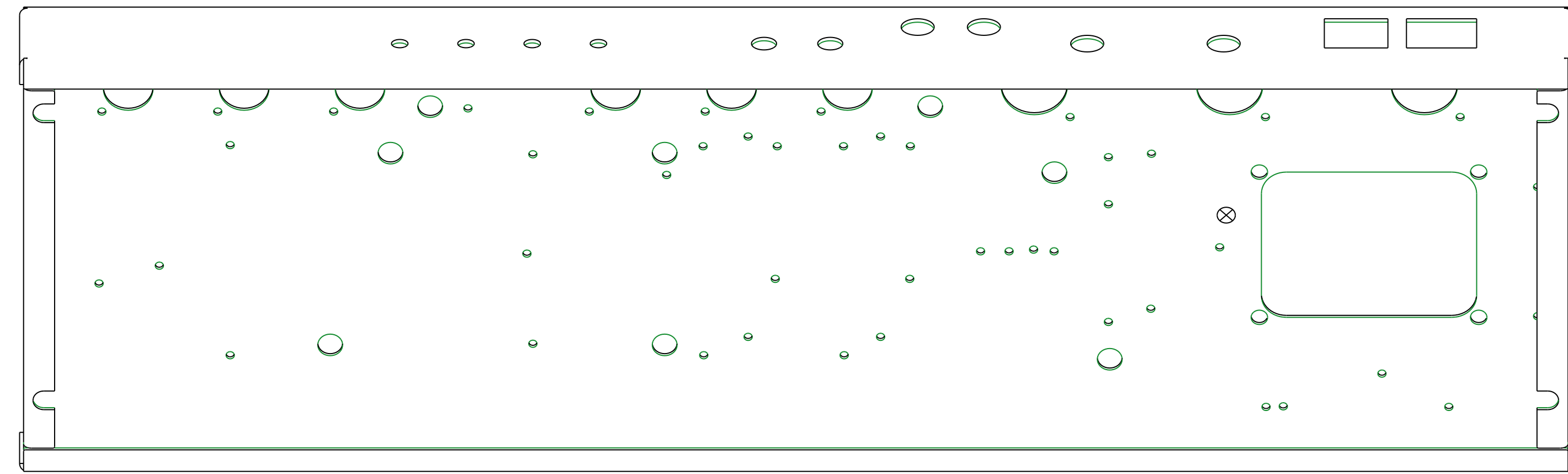


Ø .375 DETAIL, BOTTOM VIEW

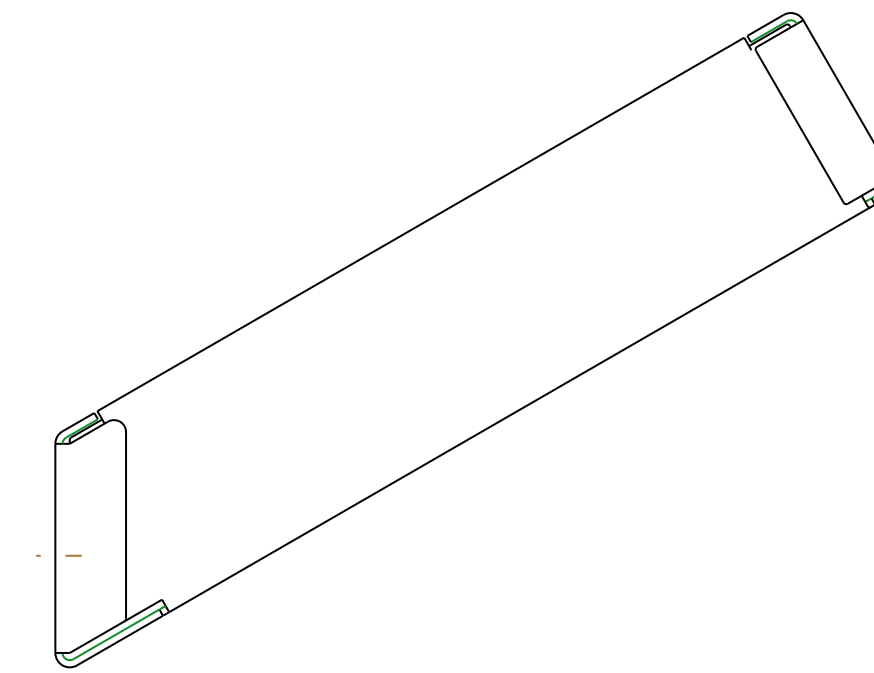


MATERIAL-0.060 16 GA S/S 430-2BA	 470 S. MITTHOEFFER RD. INDIANAPOLIS IN 46229	
WEBER SPEAKERS		
TOLERANCES (UNLESS OTHERWISE SPECIFIED) .XX ± .03 .XXX ± .015 ANGULAR ± 1/2°	PART NAME CHASSIS	DWG NO. 6A40CH
SCALE 1:2	NO. PER ASSY 1	CAD NO. 6A40CH
05/07/09	SHEET 2	OF 3

REVISIONS			
REV	DESCRIPTION	DATE	APPROVED
B	RELEASED FOR PRODUCTION	5/11/09	JBL



FRONT FACE DETAIL



MATERIAL-0.060 16 GA S/S 430-2BA		estes 470 S. MITTHOEFFER RD. INDIANAPOLIS IN 46229	
TOLERANCES (UNLESS OTHERWISE SPECIFIED) .XX ± .03 .XXX ± .015 ANGULAR ± 1/2°		WEBER SPEAKERS	
PART NAME	CHASSIS	DWG NO.	6A40CH
NO. PER ASSY	1	CAD NO.	6A40CH
SCALE	1:2	DATE	05/07/09
		SHEET	OF 3