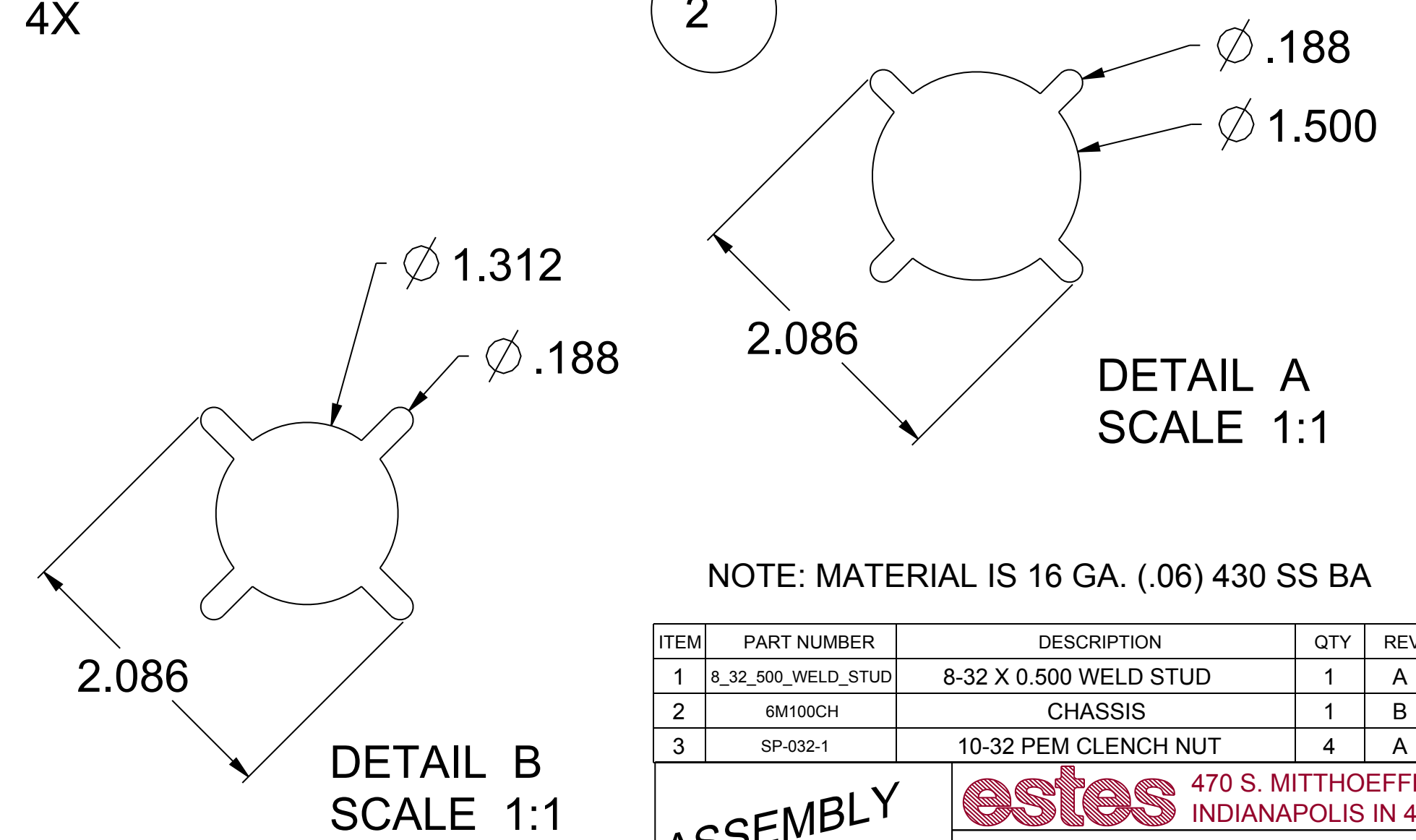
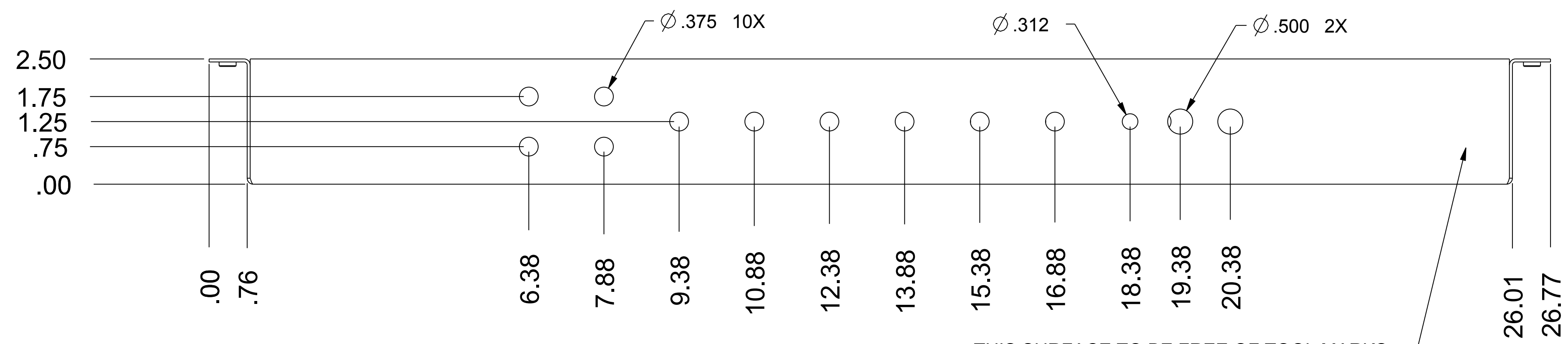
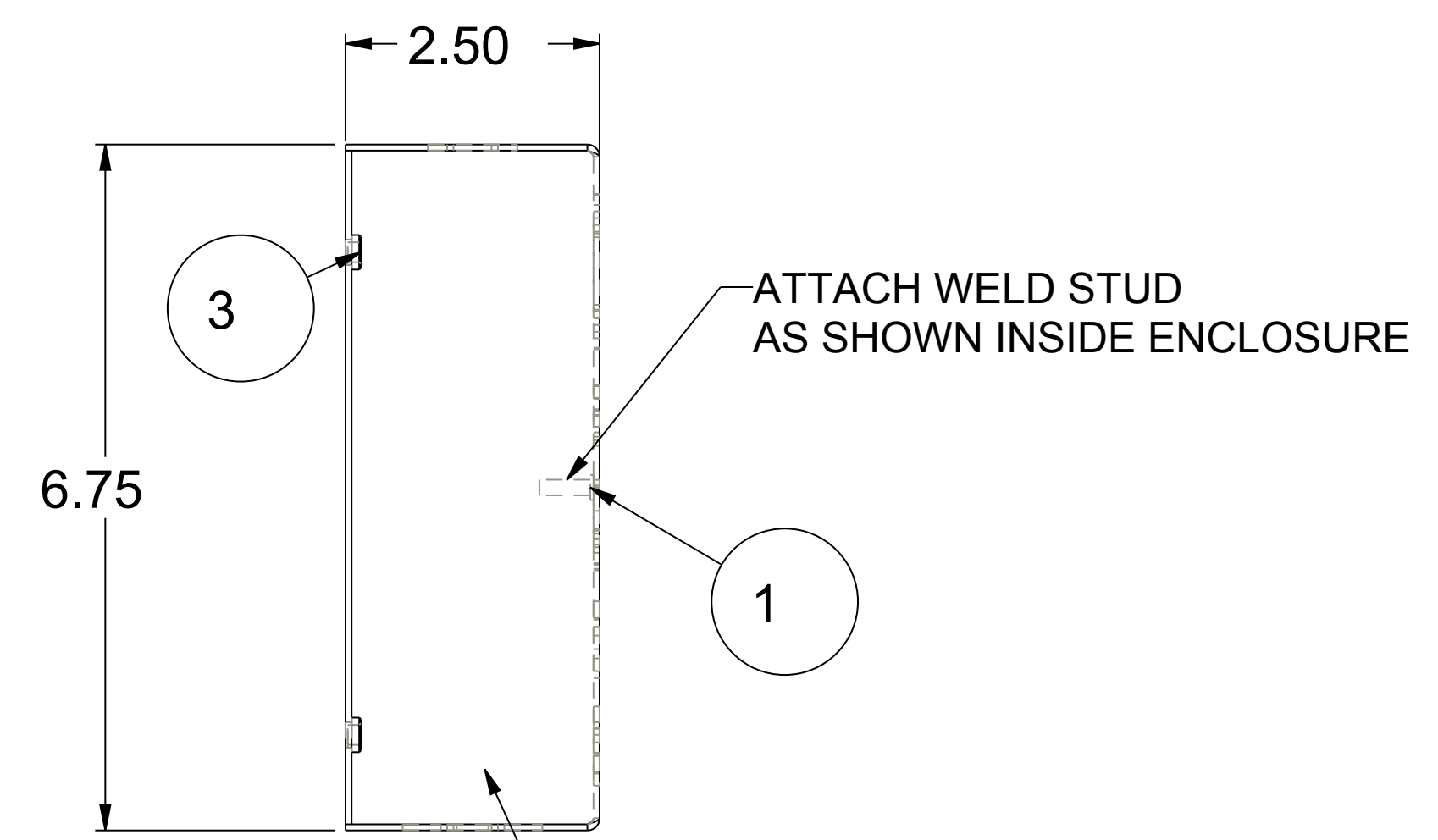
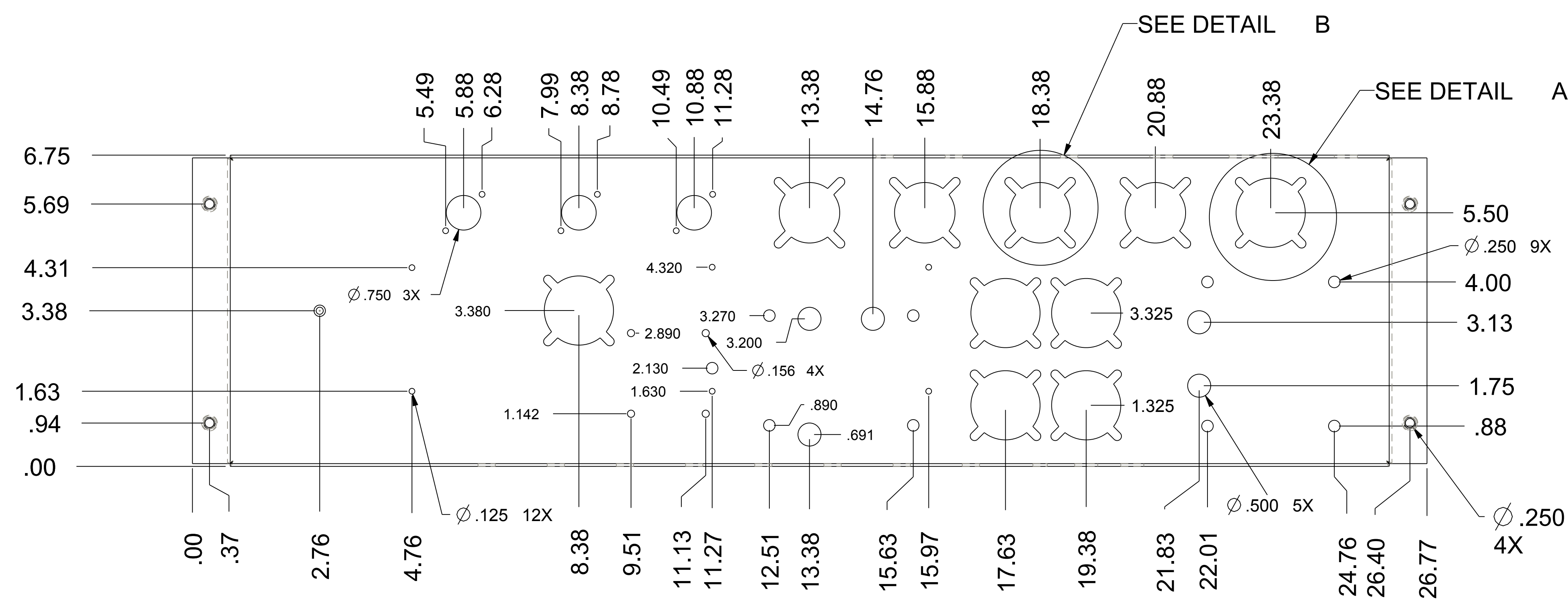
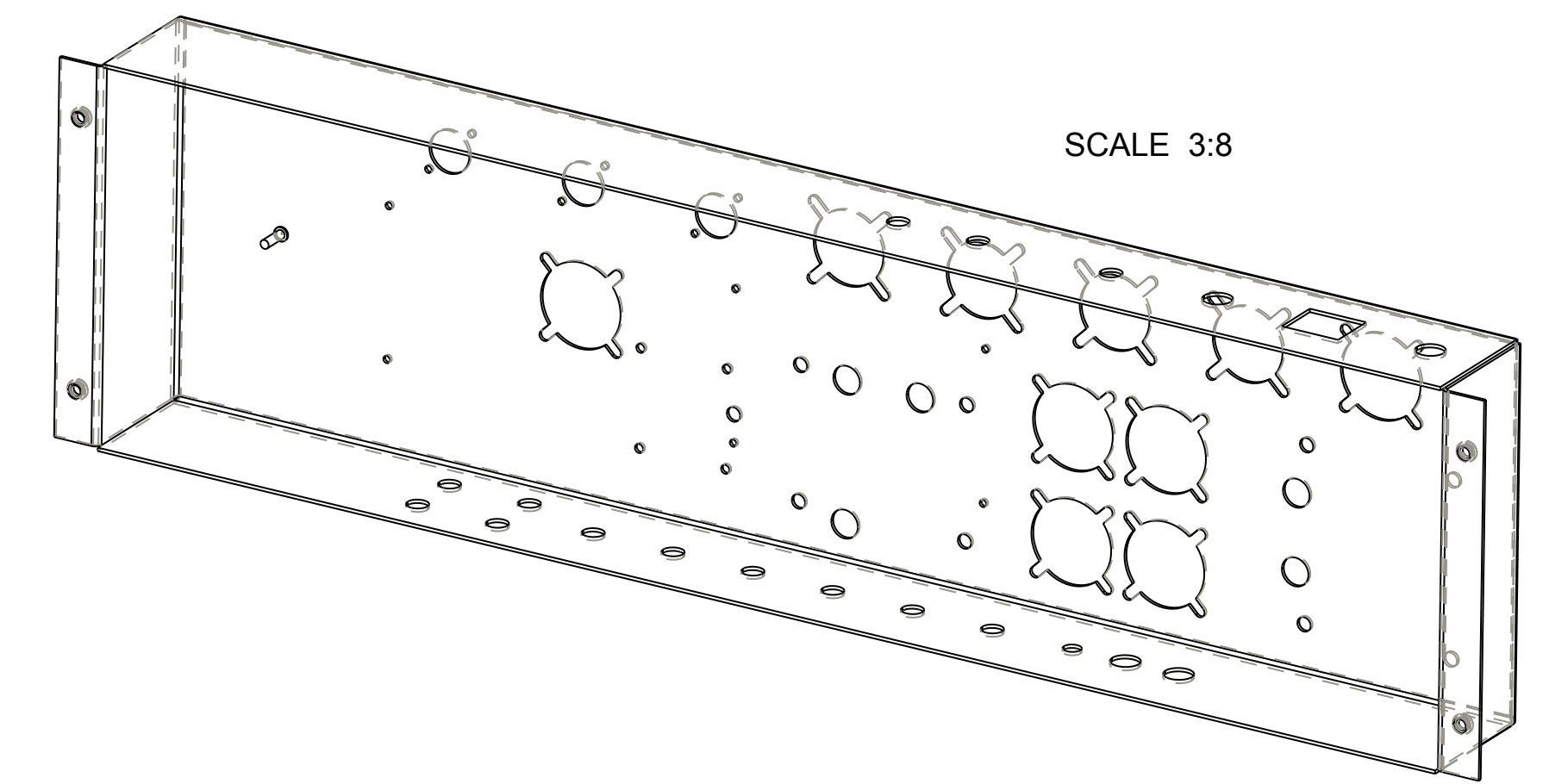
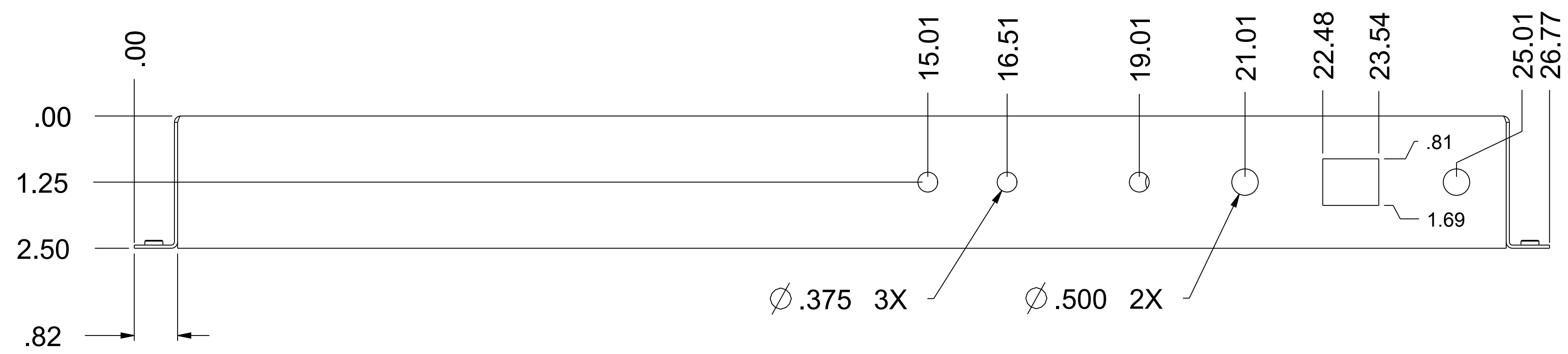


REVISIONS			
REV	DESCRIPTION	DATE	APPROVED
B	RELEASED TO ESTES	12/4/08	JE



THIS SURFACE TO BE FREE OF TOOL MARKS AND SCRATCHES.

NOTE: MATERIAL IS 16 GA. (.06) 430 SS BA

ITEM	PART NUMBER	DESCRIPTION	QTY	REV	CAD NUMBER
1	8_32_500_WELD_STUD	8-32 X 0.500 WELD STUD	1	A	8_32_500_WELD_STUD
2	6M100CH	CHASSIS	1	B	6M100CH
3	SP-032-1	10-32 PEM CLENCH NUT	4	A	SP-032-1

ASSEMBLY **estes** 470 S. MITTHOEFFER RD. INDIANAPOLIS IN 46229

WEBER SPEAKERS

TOLERANCES (UNLESS OTHERWISE SPECIFIED)
 .XX ± .03
 .XXX ± .015
 ANGULAR ± 1/2°

PART NAME	CHASSIS	DWG. NO.	6M100CH	REV	B
SCALE 5:8	12/04/08	CAD NO.	6M100CH	SHEET	OF 1