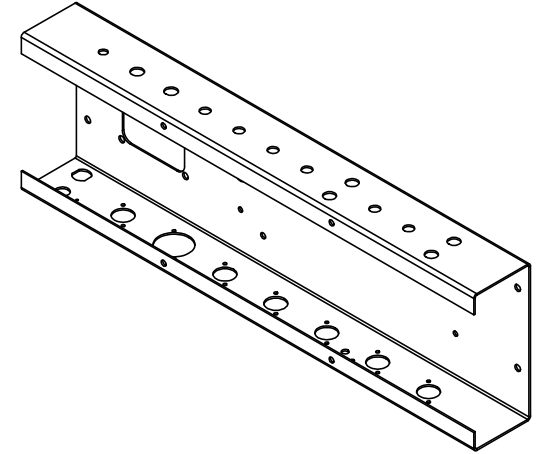
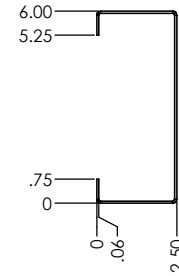
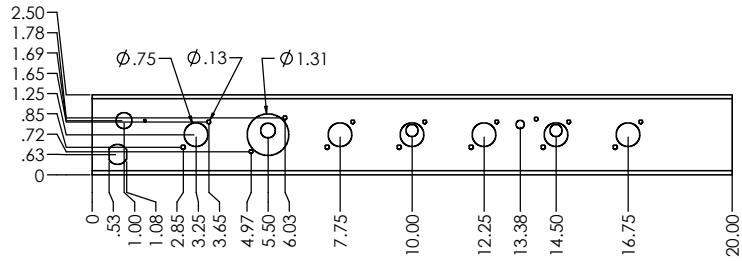
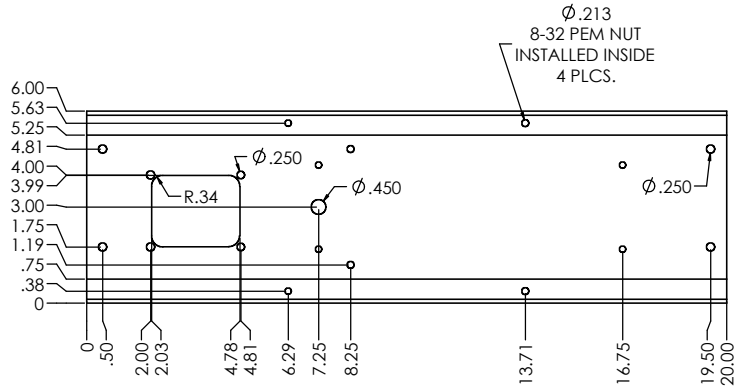
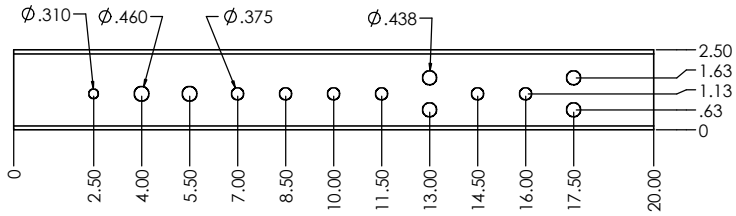


ZONE		REV.	REVISIONS	DATE	APPROVED
		C	TRANSFORMER HOLE OPENED FOR CLEARANCE STRAIN RELIEF "D" HOLE ADDED.	1-8-06	



PROPRIETARY AND CONFIDENTIAL  
THE INFORMATION CONTAINED IN THIS DRAWING IS THE SOLE PROPERTY OF WeberVST. ANY REPRODUCTION IN PART OR AS A WHOLE WITHOUT THE WRITTEN PERMISSION OF WeberVST IS PROHIBITED.

		UNLESS OTHERWISE SPECIFIED:	NAME	DATE
		DIMENSIONS ARE IN INCHES TOLERANCES: FRACTIONAL ± ANGULAR: ±1 BEND ±.030 TWO PLACE DECIMAL ±.015 THREE PLACE DECIMAL ±.010	DRAWN	GA 1-8-06
		INTERPRET GEOMETRIC TOLERANCING PER:	CHECKED	
		MATERIAL .063 ALUMINUM	ENG APPR.	
NEXT ASSY	USED ON	FINISH	MFG APPR.	
APPLICATION		DO NOT SCALE DRAWING	Q.A.	
			COMMENTS:	

<b>WeberVST</b>		
TITLE:		
<b>6M18CH-REVC</b>		
SIZE	DWG. NO.	REV
E		C
SCALE: 1:1.5		WEIGHT:
		SHEET 1 OF 1