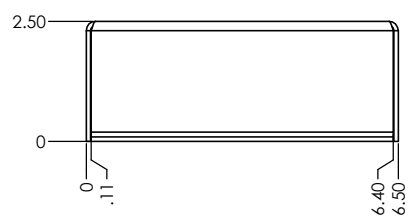
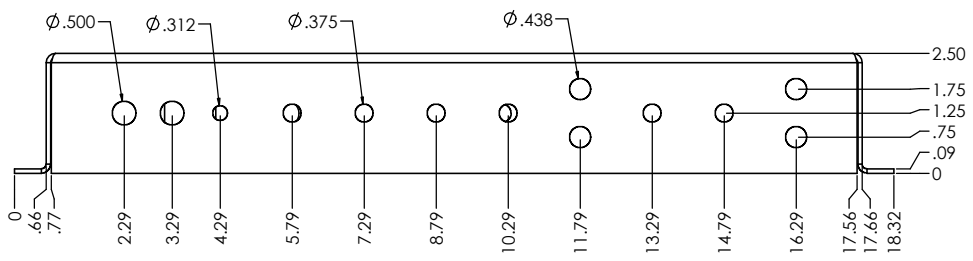
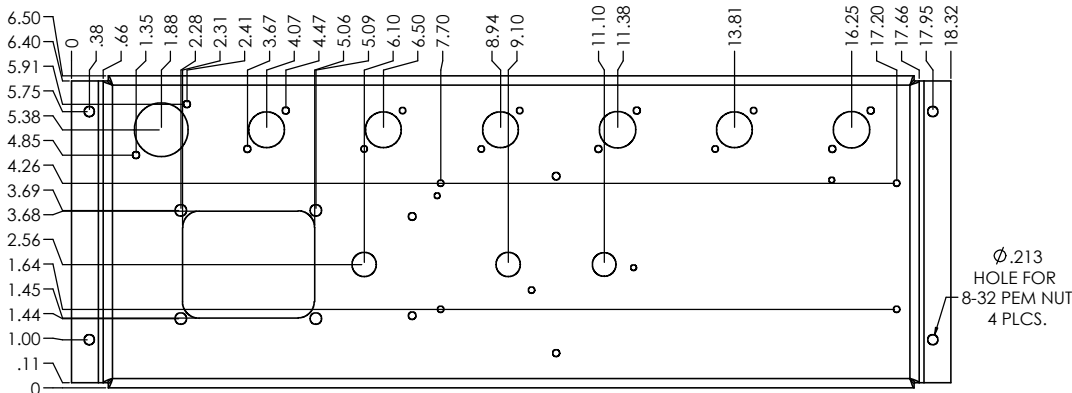
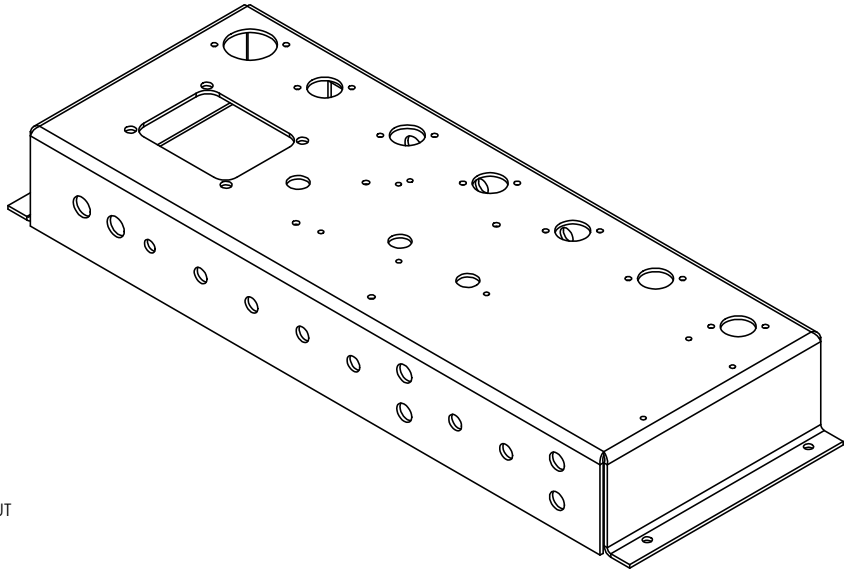
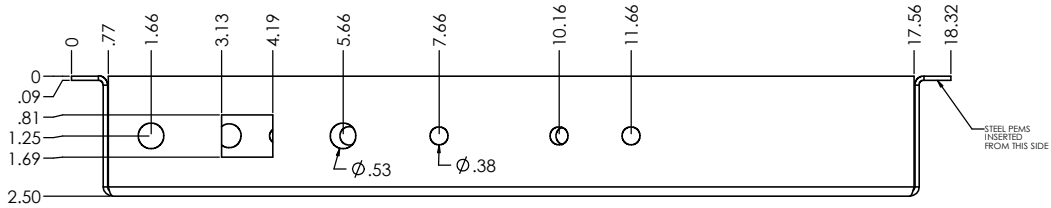


REVISIONS		DATE	APPROVED
ZONE	REV.	DESCRIPTION	



PROPRIETARY AND CONFIDENTIAL
 THE INFORMATION CONTAINED IN THIS DRAWING IS THE SOLE PROPERTY OF WeberVST. ANY REPRODUCTION IN PART OR AS A WHOLE WITHOUT THE WRITTEN PERMISSION OF WeberVST IS PROHIBITED.

NEXT ASSY	USED ON	UNLESS OTHERWISE SPECIFIED:	NAME	DATE
		DIMENSIONS ARE IN INCHES TOLERANCES: FRACTIONAL ± ANGULAR: ±1 BEND ±.030 TWO PLACE DECIMAL ±.015 THREE PLACE DECIMAL ±.010	DRAWN	GA 9-3-05
		INTERPRET GEOMETRIC TOLERANCING PER:	CHECKED	
		MATERIAL .09ALM.	ENG APPR.	
		FINISH	MFG APPR.	
APPLICATION		DO NOT SCALE DRAWING	COMMENTS:	

WeberVST		
TITLE: 6M18HCH-REVB		
SIZE E	DWG. NO.	REV B
SCALE: 1:1	WEIGHT:	SHEET 1 OF 1