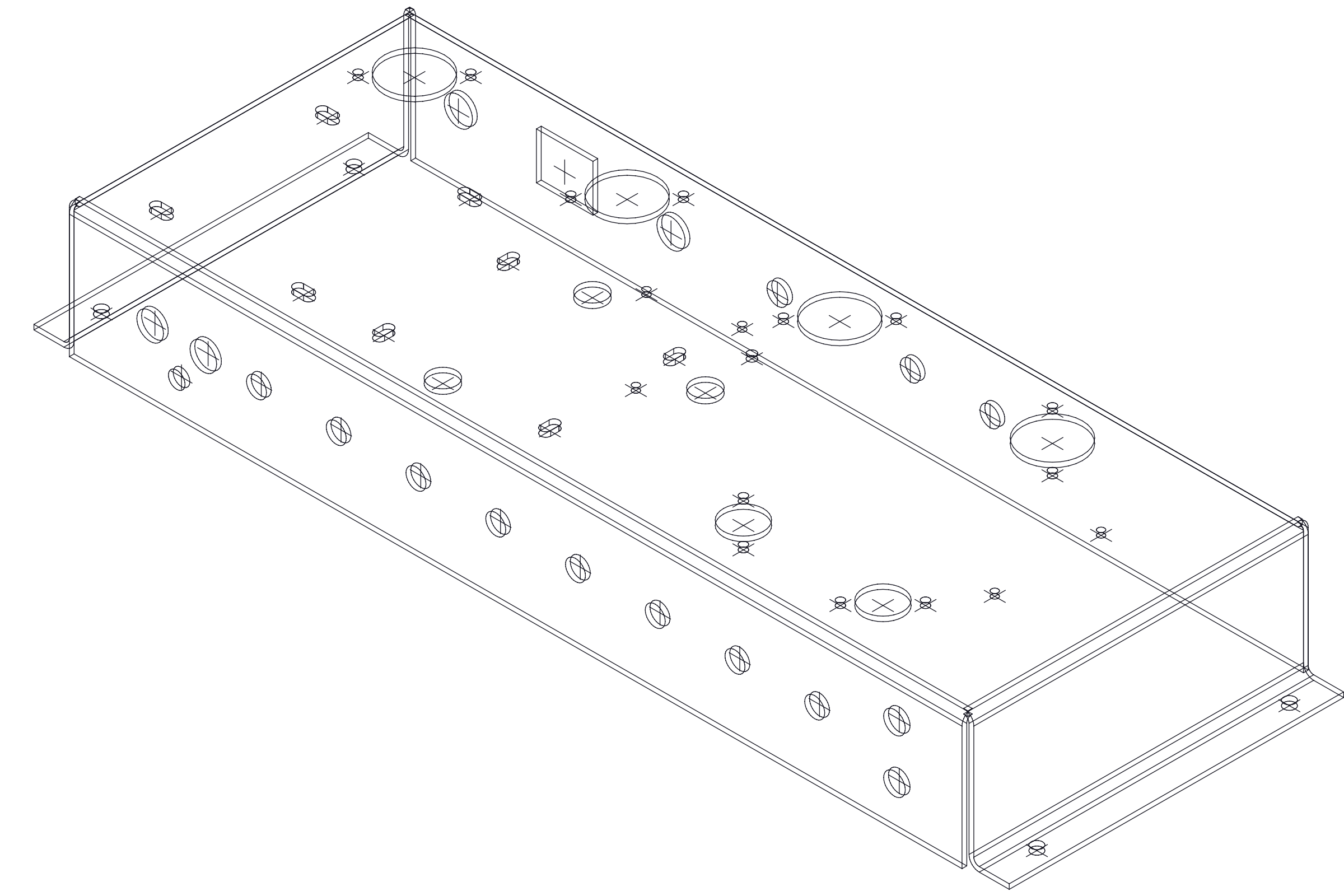
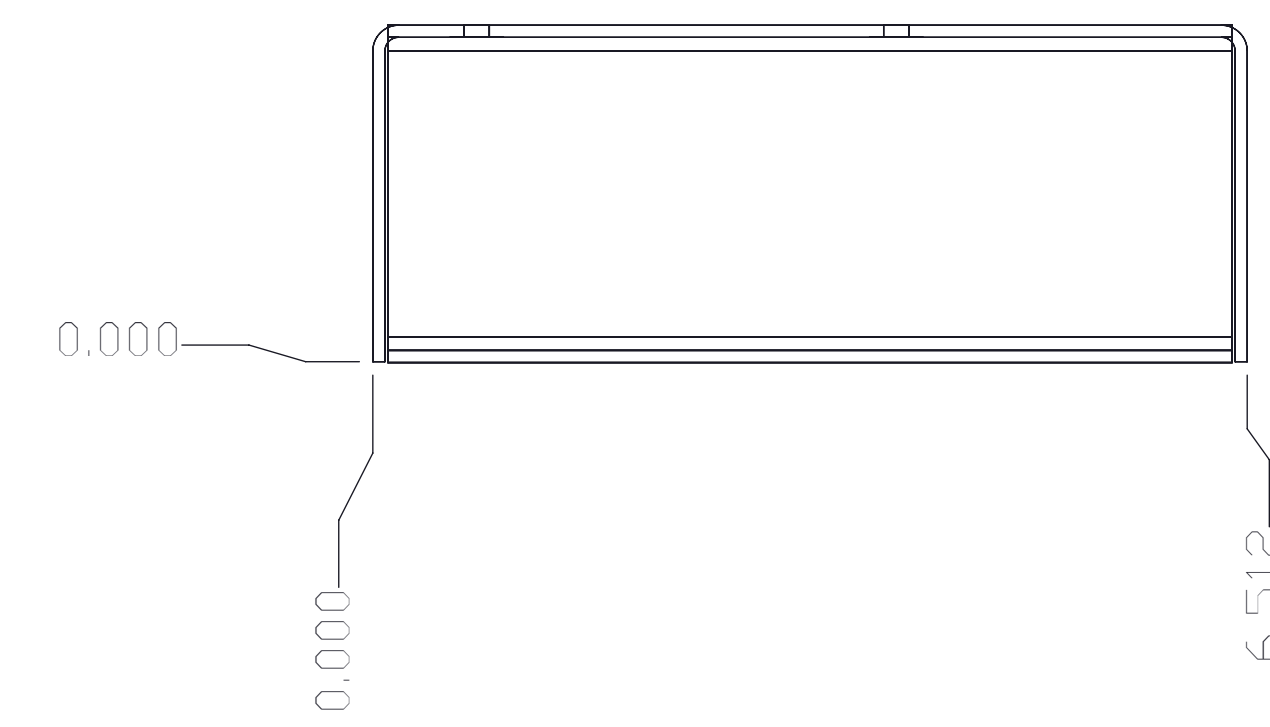
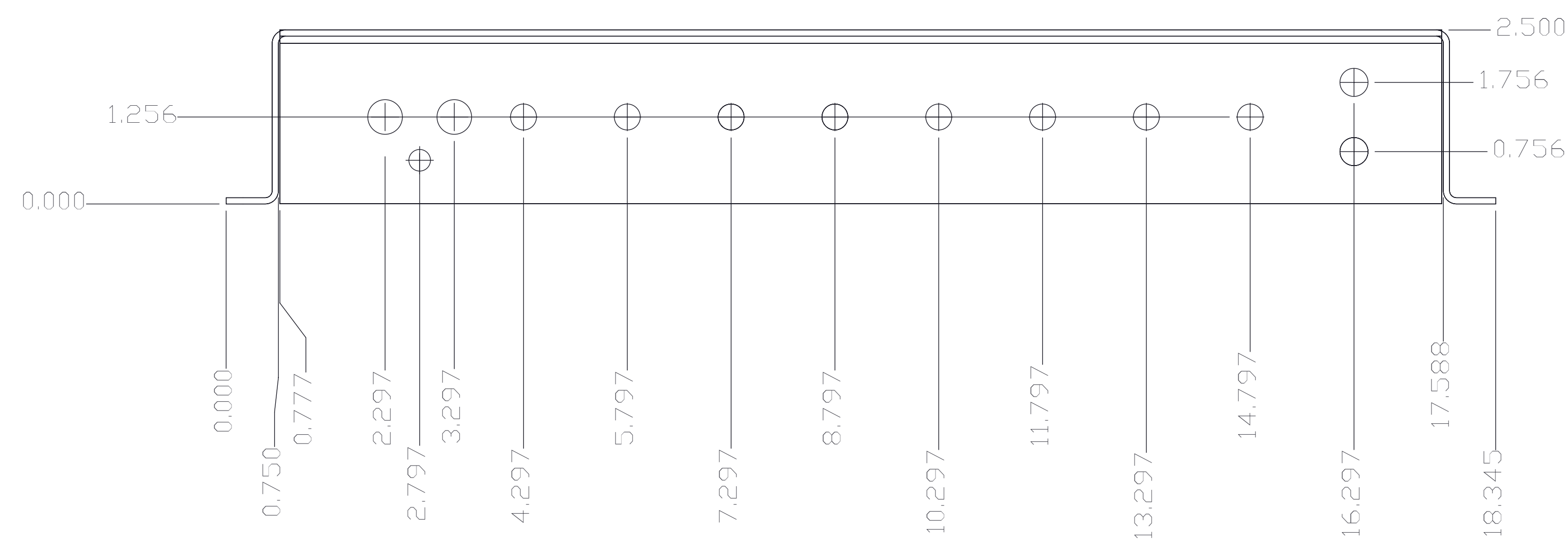
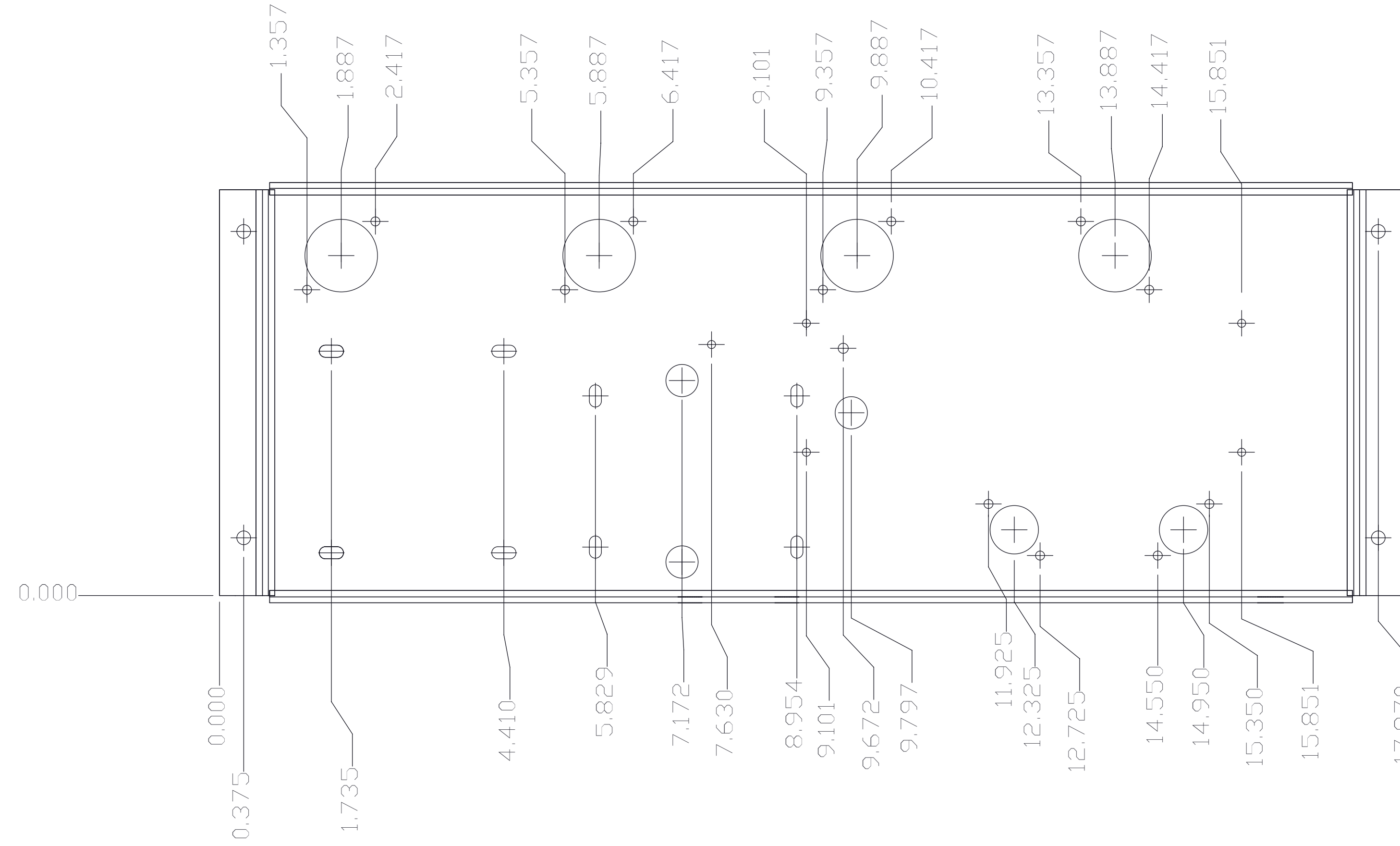
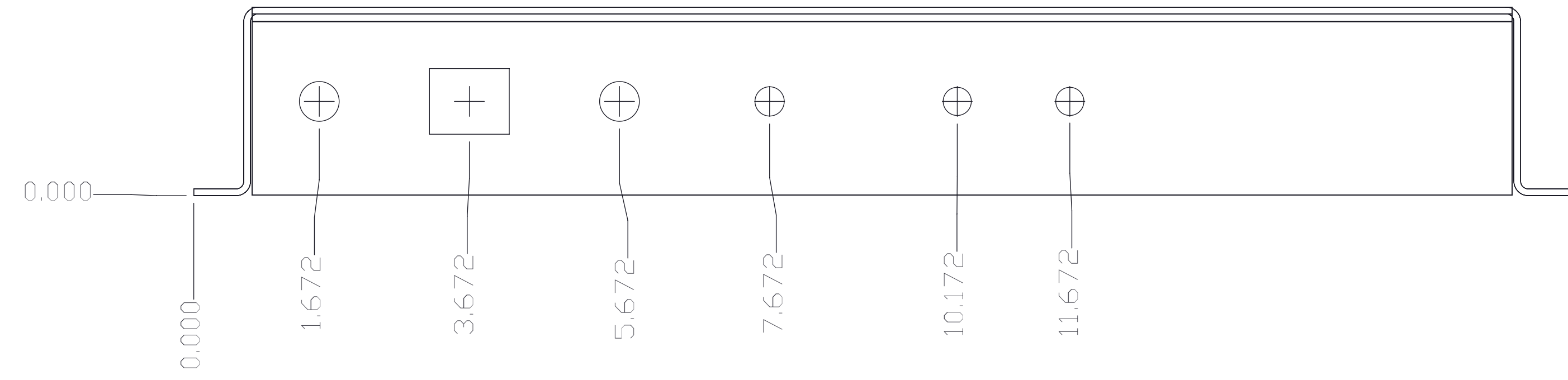


		REVISIONS			
ZONE	REV.	DESCRIPTION	DATE	APPROVED	



PROPRIETARY AND CONFIDENTIAL
 THE INFORMATION CONTAINED IN THIS
 DRAWING IS THE SOLE PROPERTY OF
 WeberVST. ANY REPRODUCTION IN
 PART OR AS A WHOLE WITHOUT THE
 WRITTEN PERMISSION OF WeberVST IS
 PROHIBITED.

		UNLESS OTHERWISE SPECIFIED:	NAME	DATE
		DIMENSIONS ARE IN INCHES	DRAWN	NS
		TOLERANCES:	CHECKED	4-06-07
		FRACTIONAL ±	ENG APPR.	
		ANGULAR: ±1 BEND ±0.30	MFG APPR.	
		TWO PLACE DECIMAL ±0.15	Q.A.	
		THREE PLACE DECIMAL ±0.10	COMMENTS:	
		INTERPRET GEOMETRIC TOLERANCING PER:	NO RUST OR DEEP SCRATCHES PERMITTED	
		MATERIAL	0.09 ALM.	
		FINISH		
NEXT ASSY	USED ON			
APPLICATION		DO NOT SCALE DRAWING		

WeberVST			
TITLE:			
60100			
SIZE	DWG. NO.	REV	
A		A	
SCALE: 1:1	WEIGHT:	SHEET 1 OF 1	