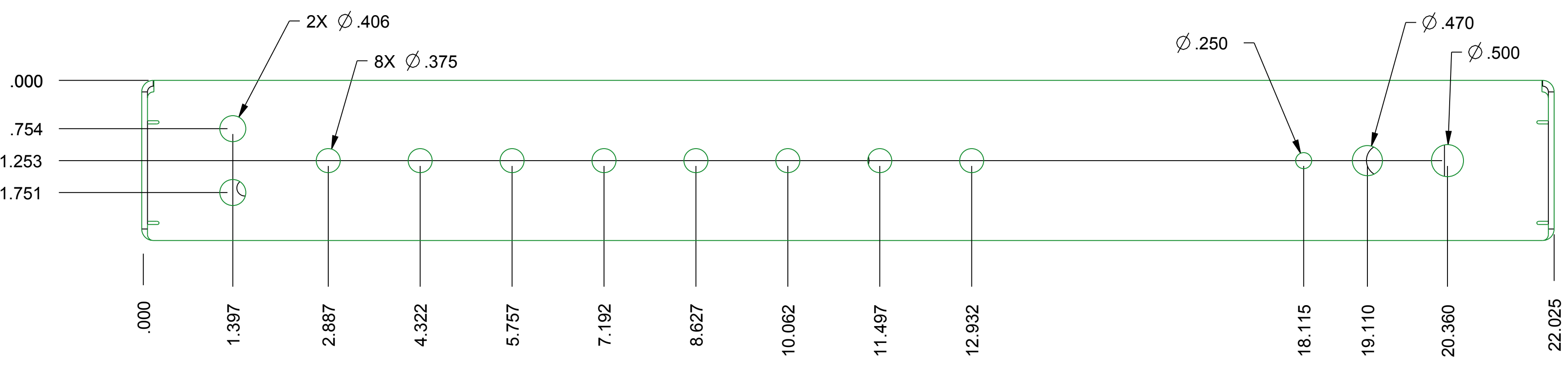
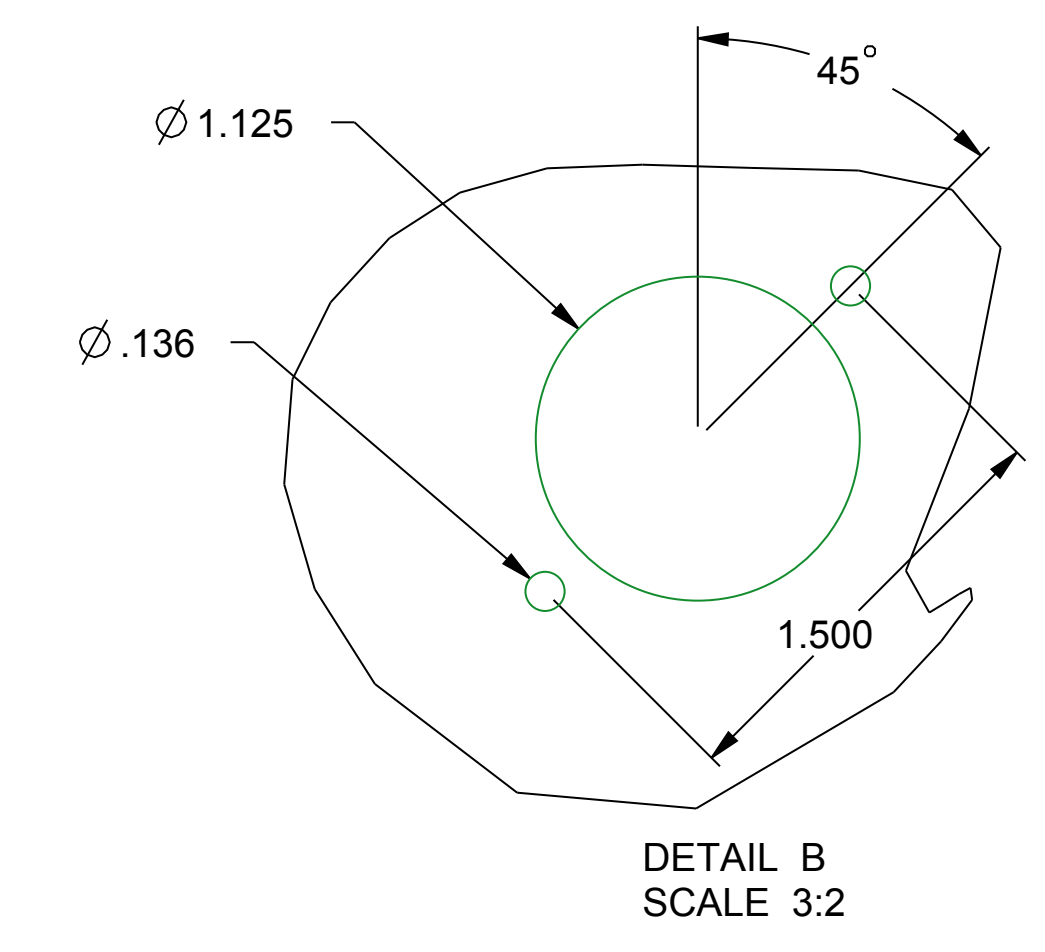
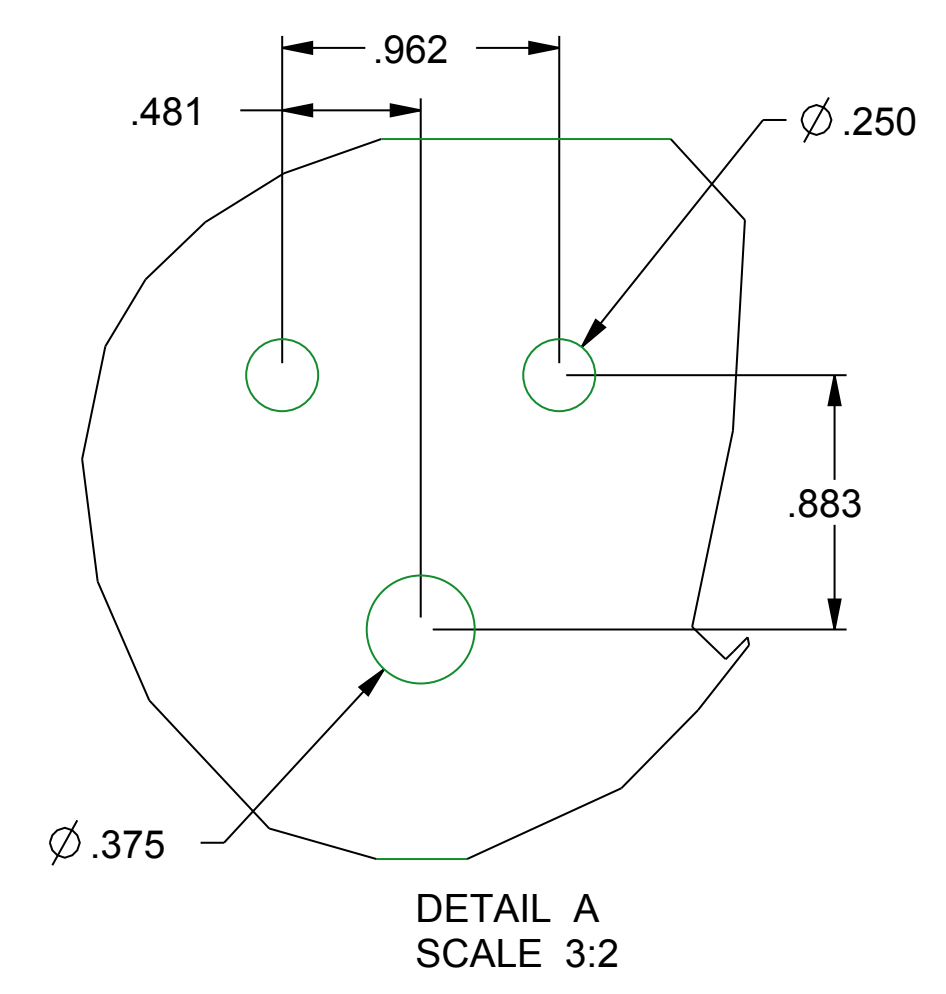
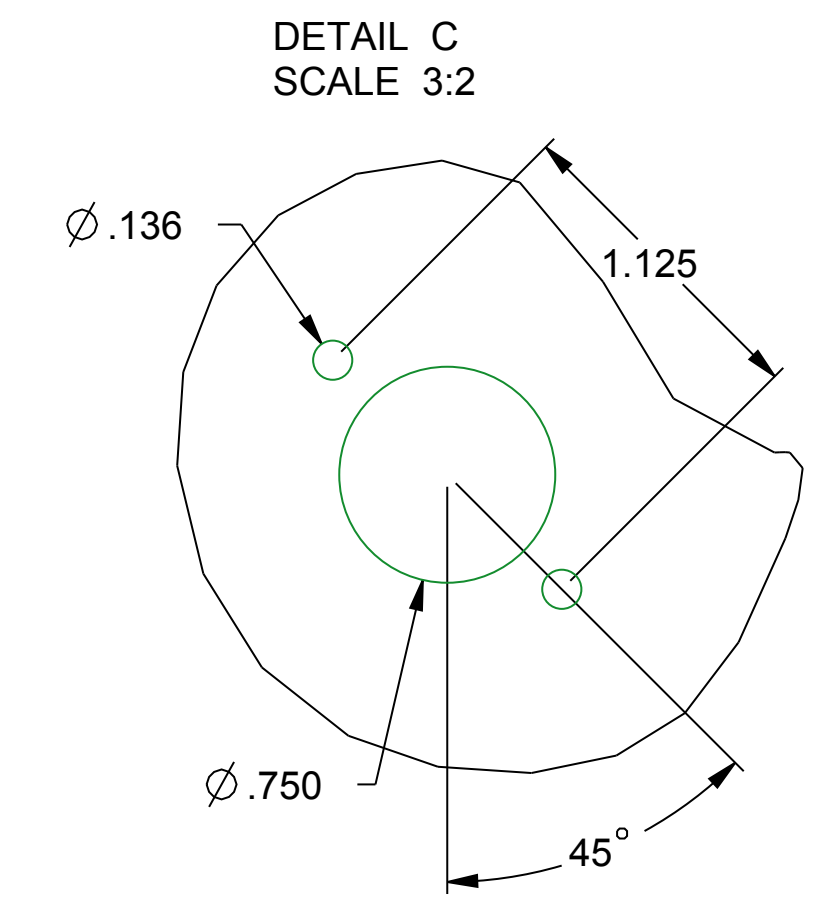
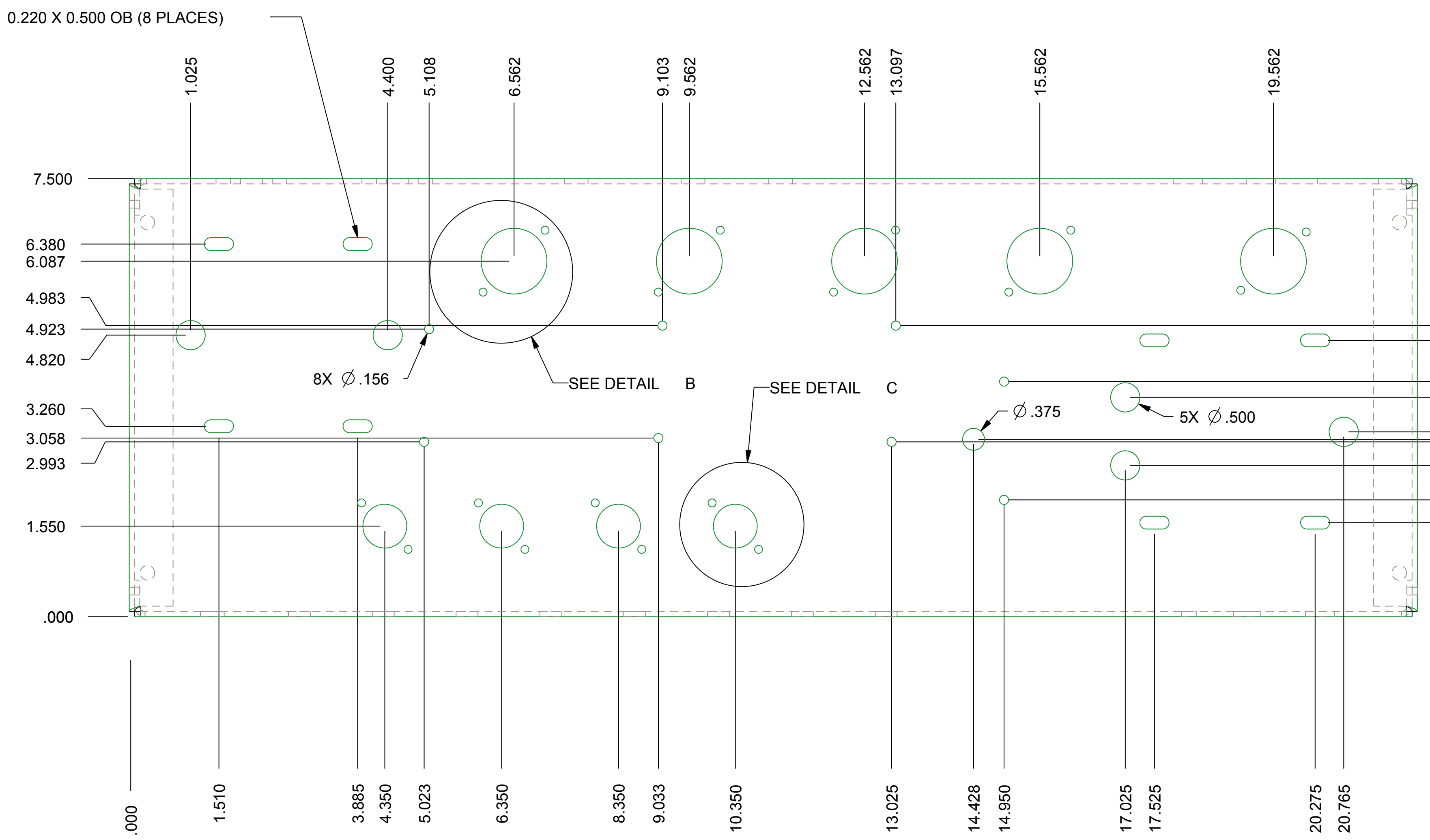
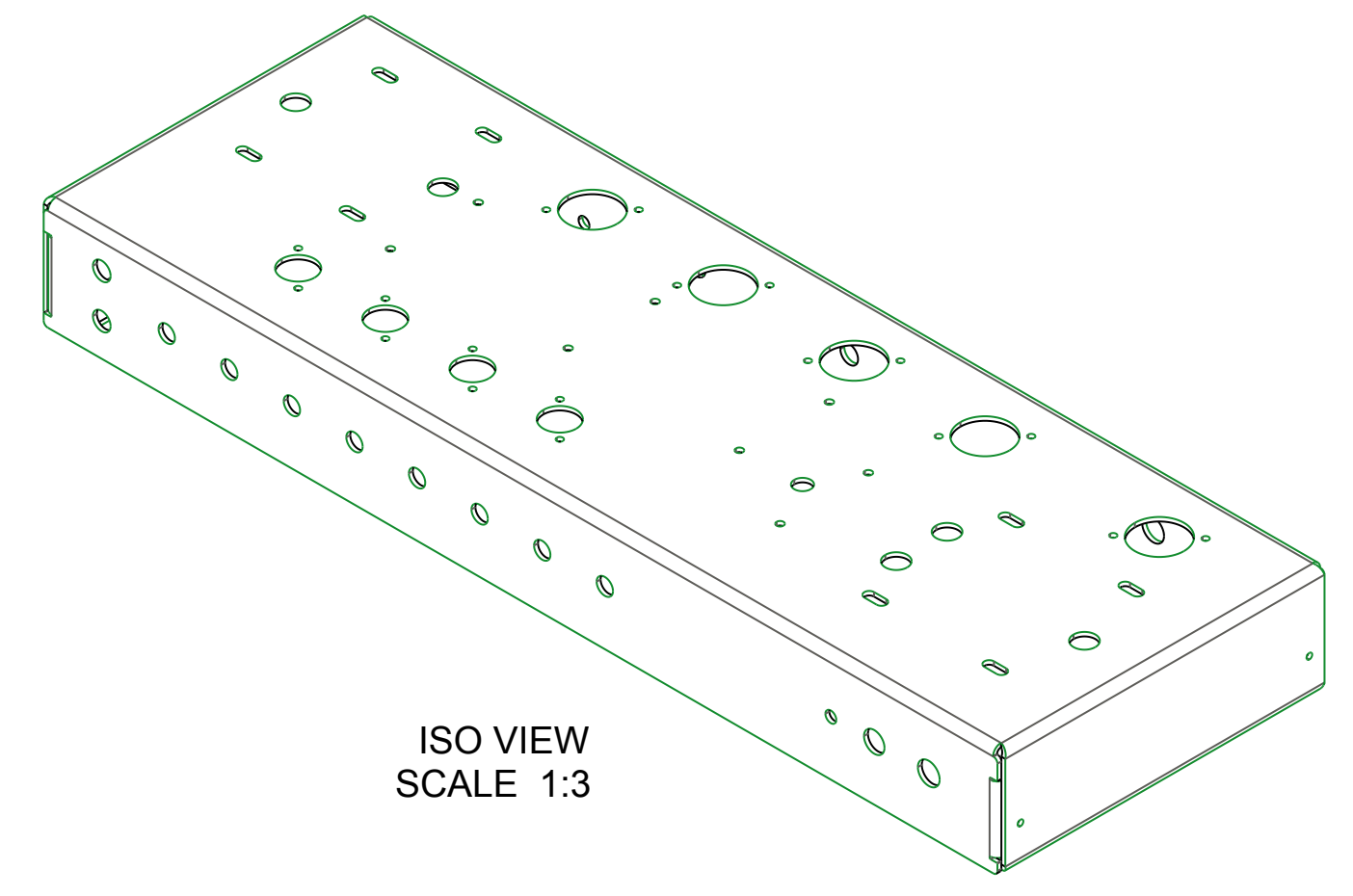
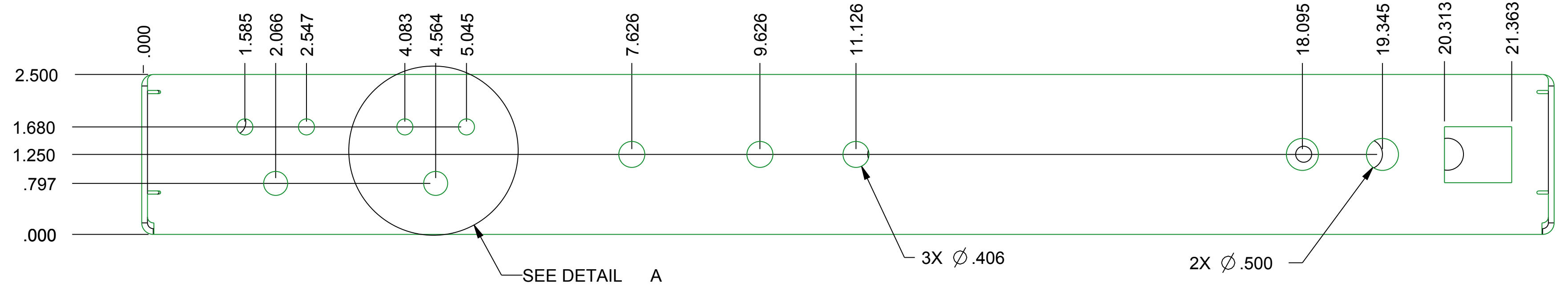
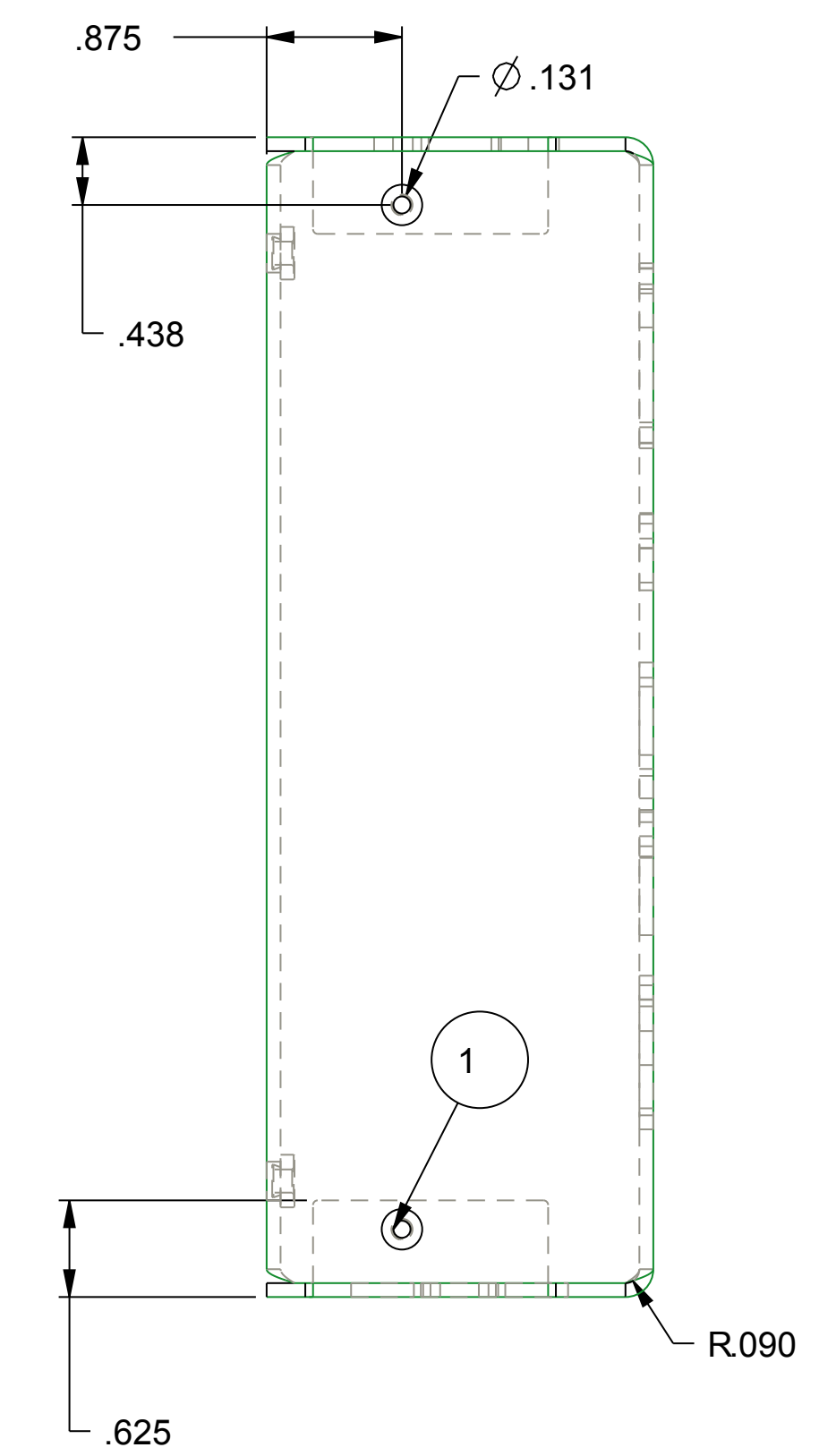
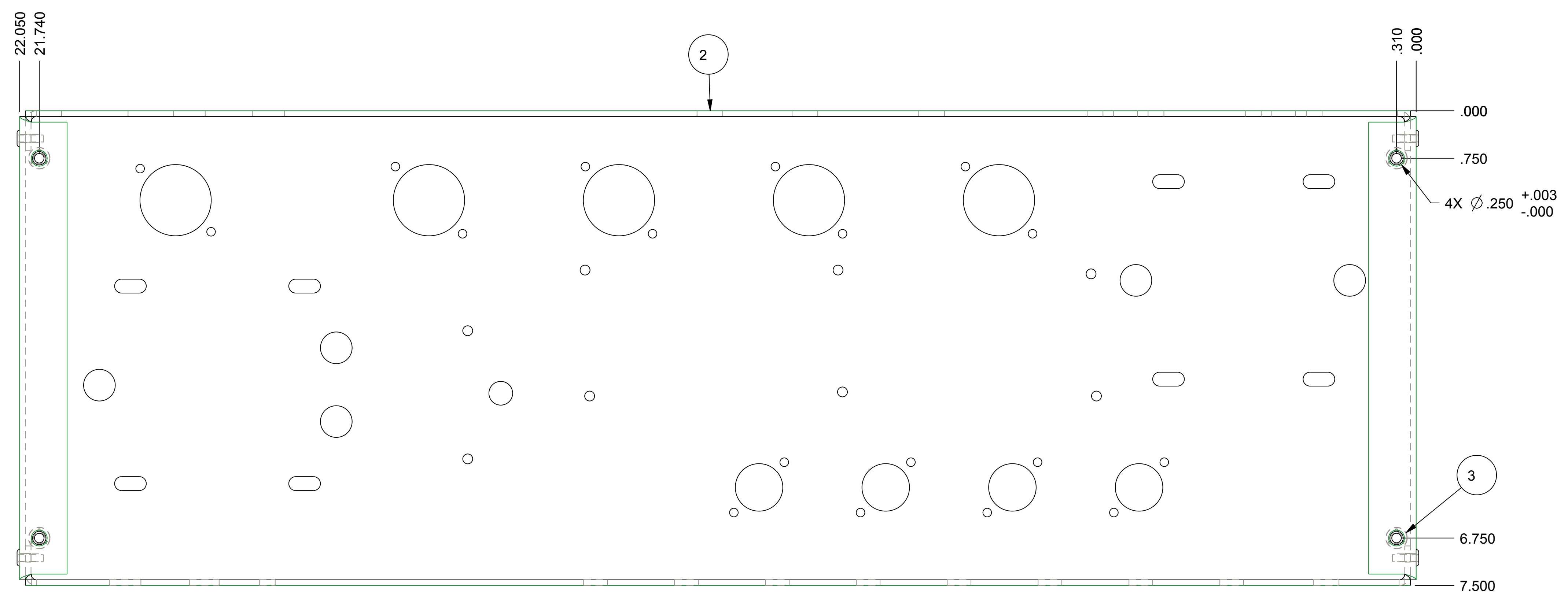


REVISIONS			
REV	DESCRIPTION	DATE	APPROVED
-	RELEASED FOR CUSTOMER APPROVAL	7/17/09	SPJ
-	RELEASED FOR PRODUCTION	9/3/09	E.F.P.



MATERIAL-.090 5052 H32 ALUMINUM		470 S. MITTHOEFFER RD. INDIANAPOLIS IN 46229	
TOLERANCES (UNLESS OTHERWISE SPECIFIED)		<b>WEBER SPEAKERS</b>	
.XX ± .03	.XXX ± .015	PART NAME	CHASSIS
ANGULAR ± 1/2°		DWG NO.	6S100CH
SCALE 3:4	04/29/09	NO. PER ASSY	1
		CAD NO.	6S100
		SHEET	OF 2

REVISIONS			
REV	DESCRIPTION	DATE	APPROVED
-	RELEASED FOR CUSTOMER APPROVAL	7/17/09	SPJ
-	RELEASED FOR PRODUCTION	9/3/09	E.F.P.



ITEM	PART NUMBER	DESCRIPTION	QTY	REV	CAD NUMBER
1	1_8 - RIVET	1/8" RIVET	4	-	1_8-RIVET
2	6S100CH	CHASSIS	1	-	6S100
3	CLSS-1032-2	PEM 10-32 SELF-CLINCHING NUT	4	-	CLSS-032-2

<b>ASSEMBLY</b>	<b>estes</b> 470 S. MITTHOEFFER RD. INDIANAPOLIS IN 46229	
	<b>WEBER SPEAKERS</b>	
TOLERANCES (UNLESS OTHERWISE SPECIFIED) .XX ± .03 .XXX ± .015 ANGULAR ± 1/2°	PART NAME Chassis	DWG NO. 6S100CH
SCALE 9:10   07/17/09	CAD NO. 6S100CH	SHEET 2 OF 2