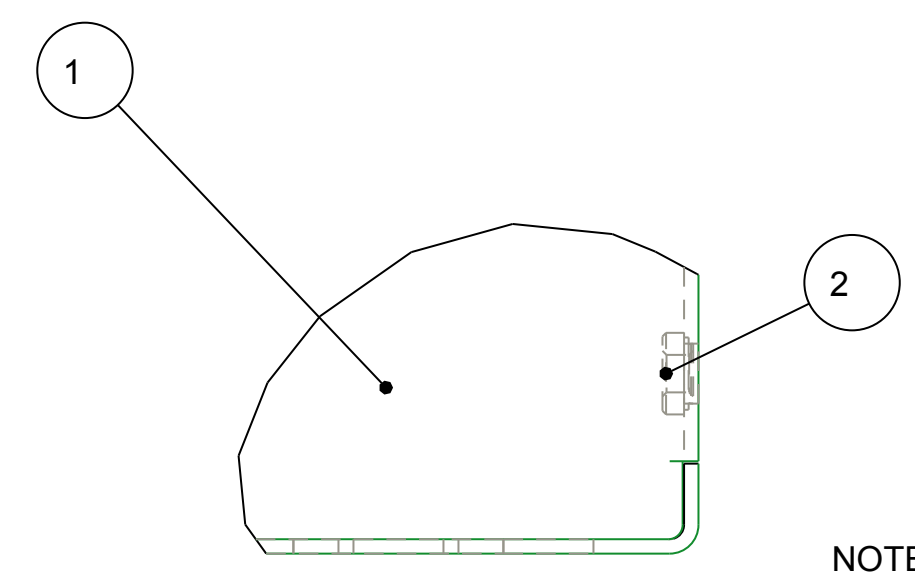
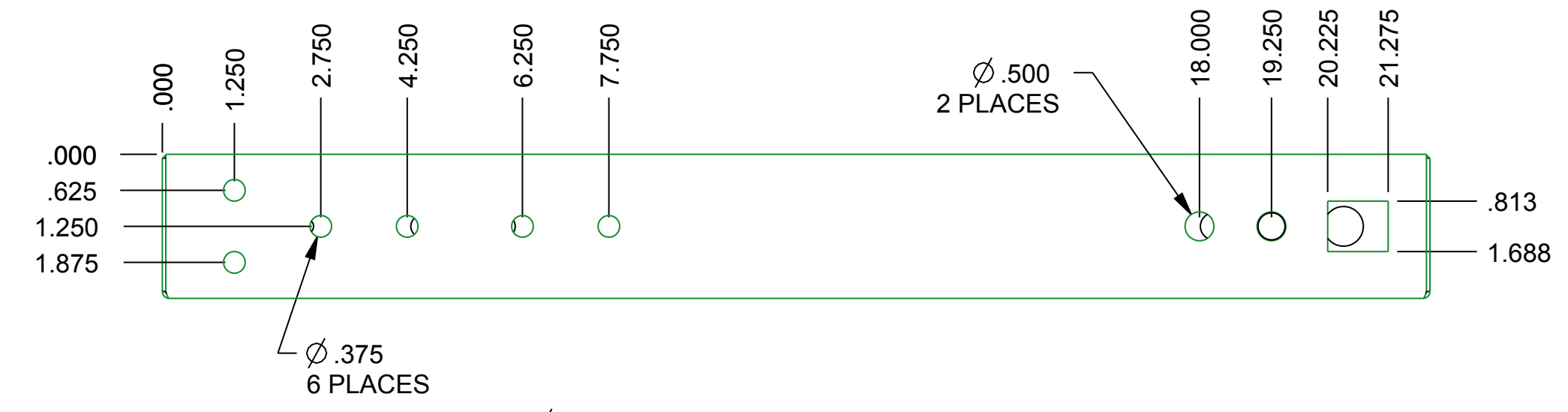
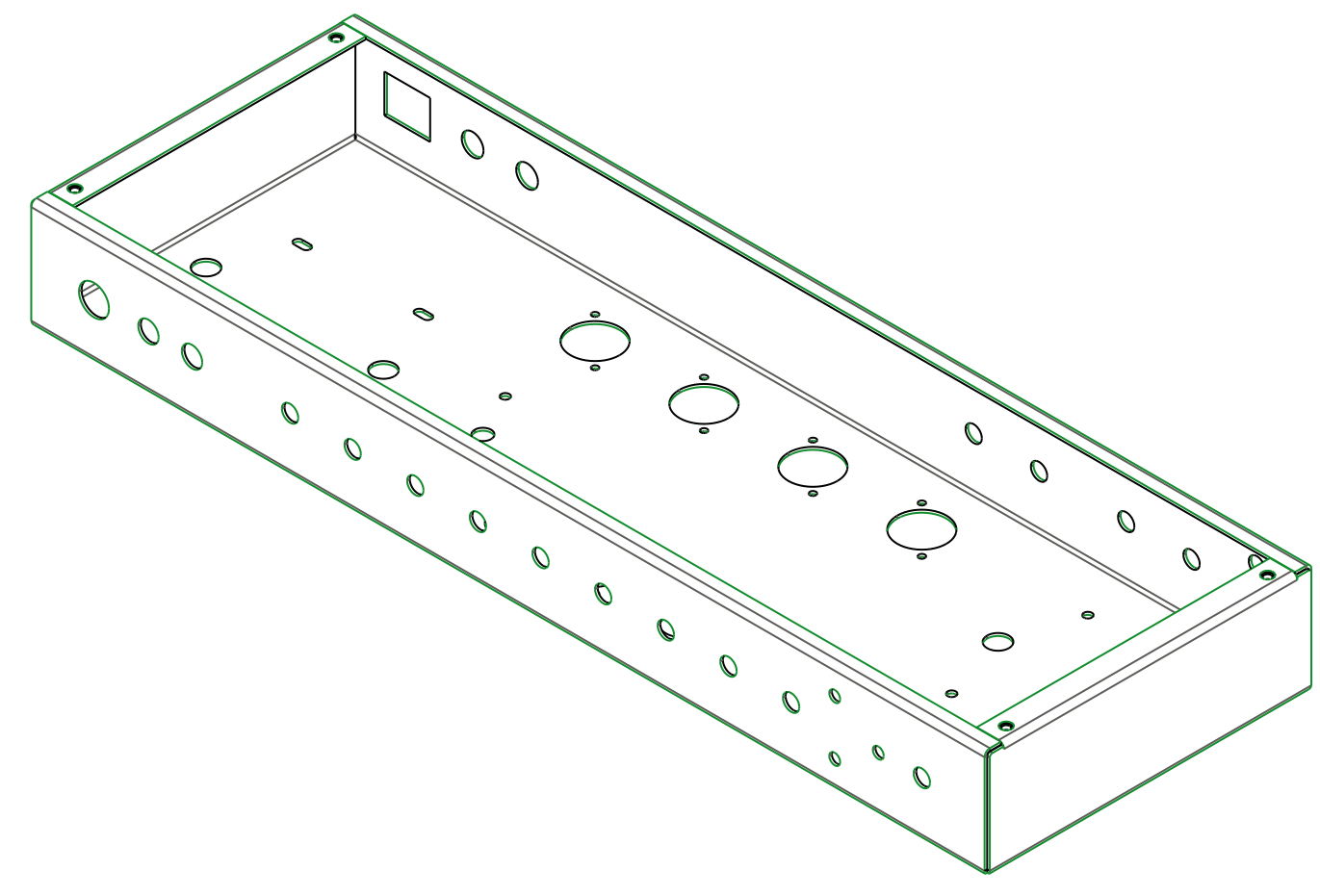
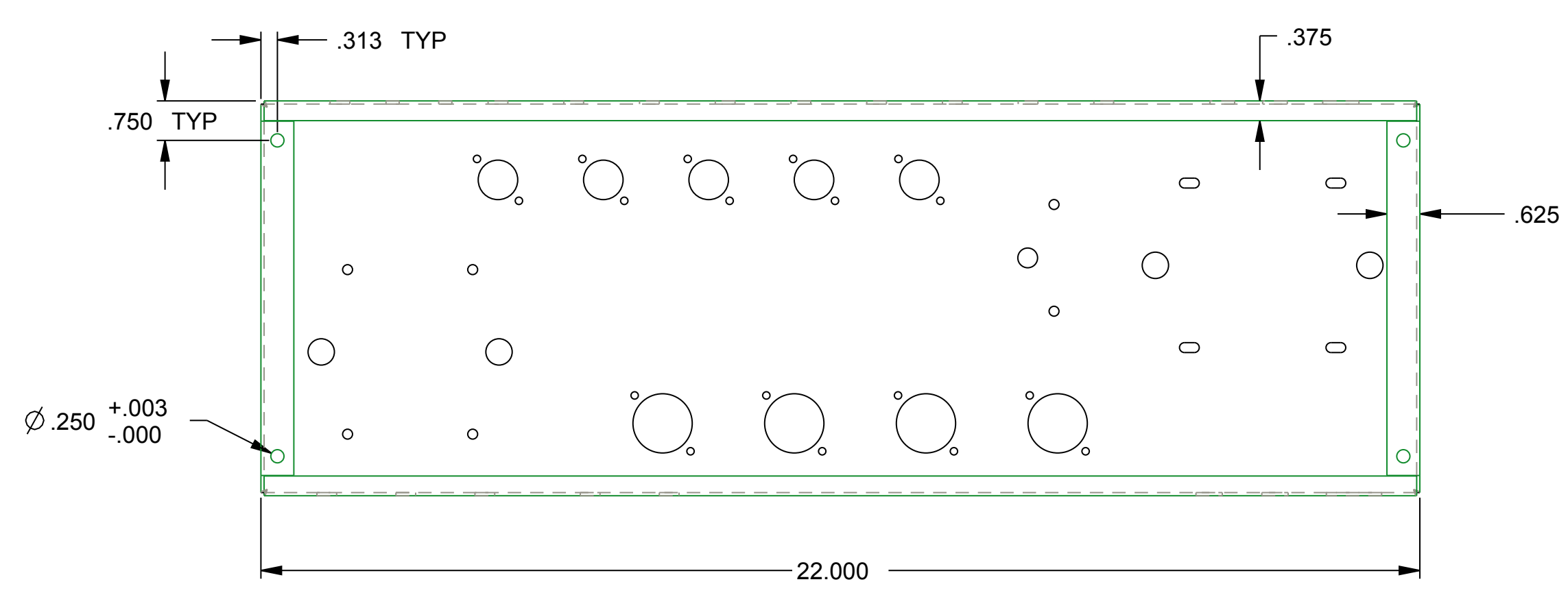
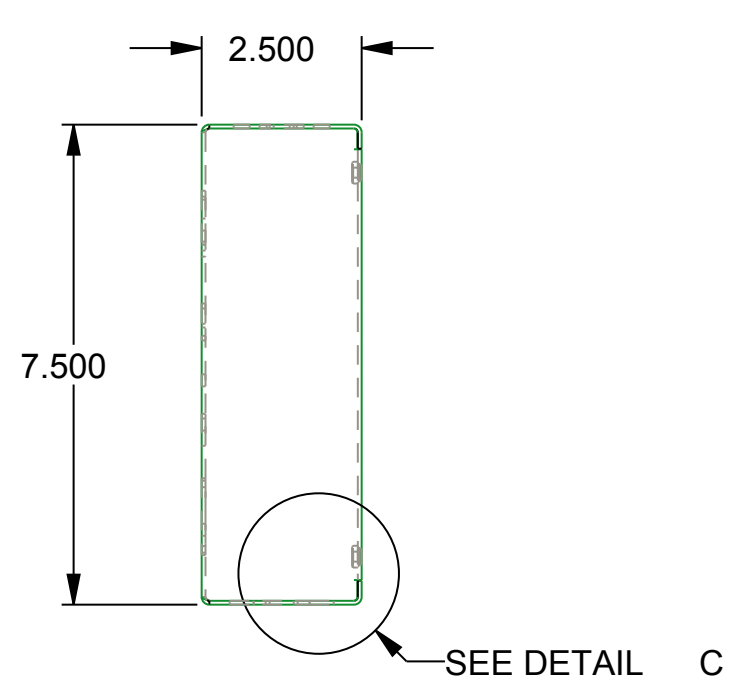
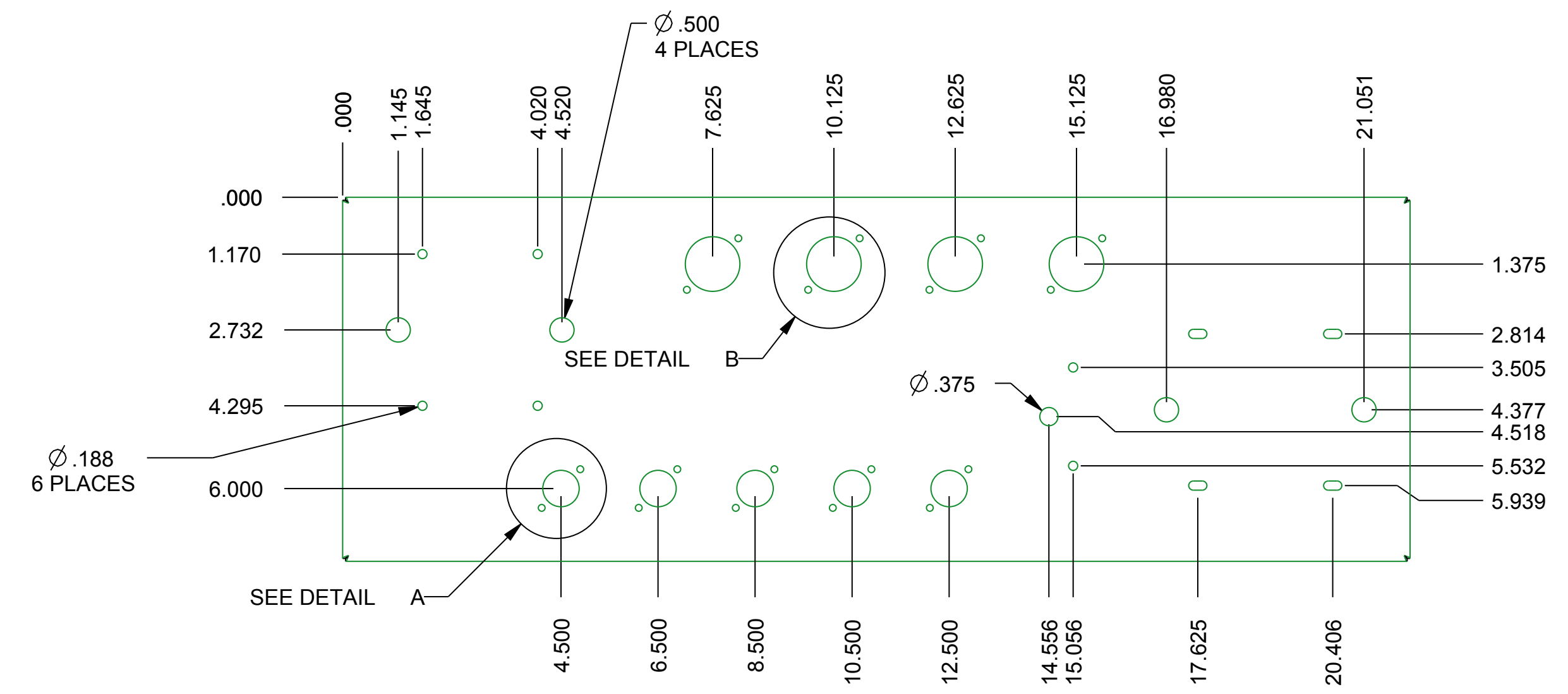


REVISIONS			
REV	DESCRIPTION	DATE	APPROVED
B	RELEASED FOR PRODUCTION	5/11/09	E.F.P.

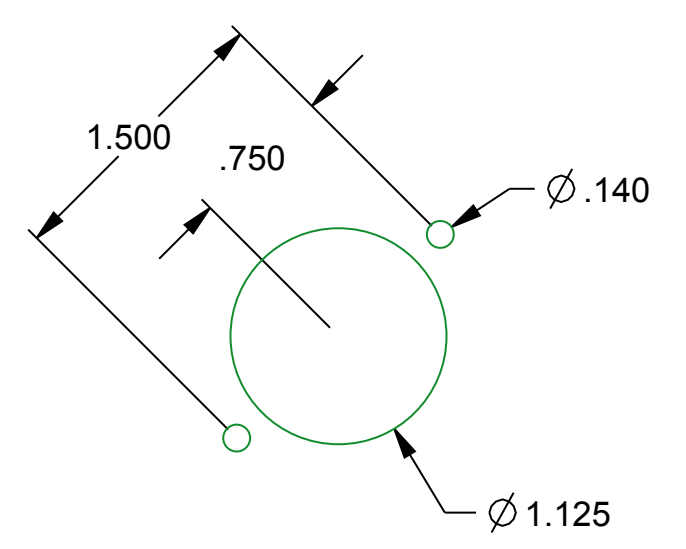


NOTE: PEM NUTS
INSTALLED INSIDE BOX

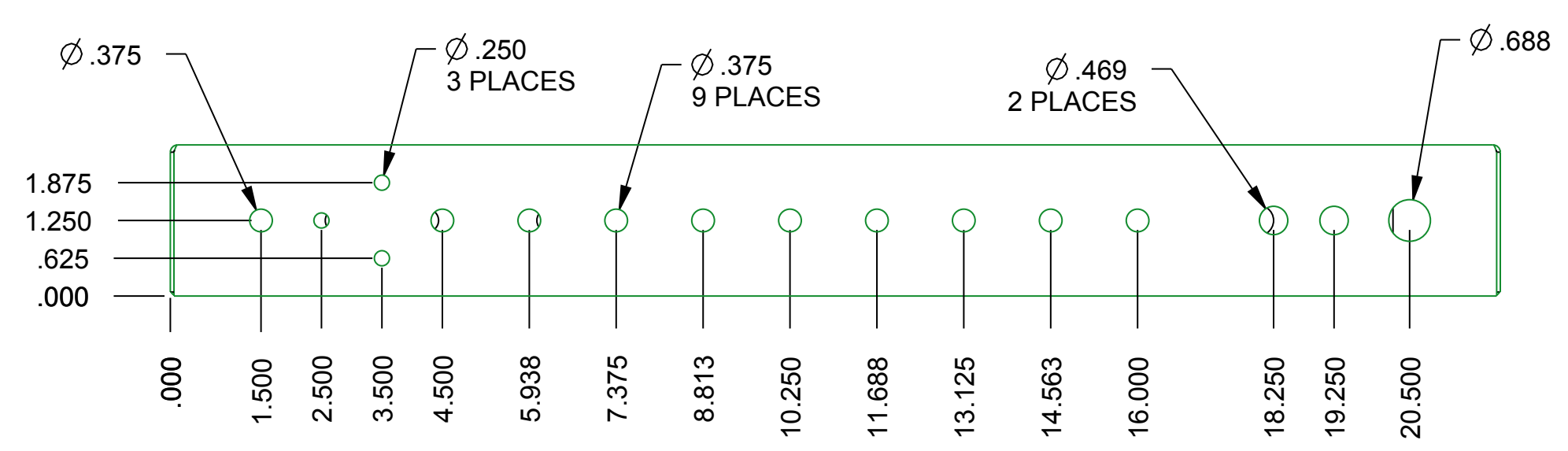
DETAIL C
SCALE 5:4



DETAIL A
SCALE 1:1



DETAIL B
SCALE 1:1



NOTES:
1. MATERIAL: 16 GA (.060) CRS
2. POWDER COAT APPLIANCE WHITE
3. SILKSCREEN BLACK

ITEM	PART NUMBER	DESCRIPTION	QTY	REV	CAD NUMBER
1	6SXCH	6SX CHASSIS	1	B	6SX
2	SS-032-1ZI	PEM NUT	4	-	SS-032-1ZI

ASSEMBLY **estes** 470 S. MITTHOEFFER RD. INDIANAPOLIS IN 46229

WEBER SPEAKERS

TOLERANCES (UNLESS OTHERWISE SPECIFIED):
 .XX ± .03
 .XXX ± .015
 ANGULAR ± 1/2°

PART NAME	6SX CHASSIS	DWG NO.	6SXCH	REV	B
SCALE 1:3	05/11/09	CAD NO.	6SXCH	SHEET	OF 1