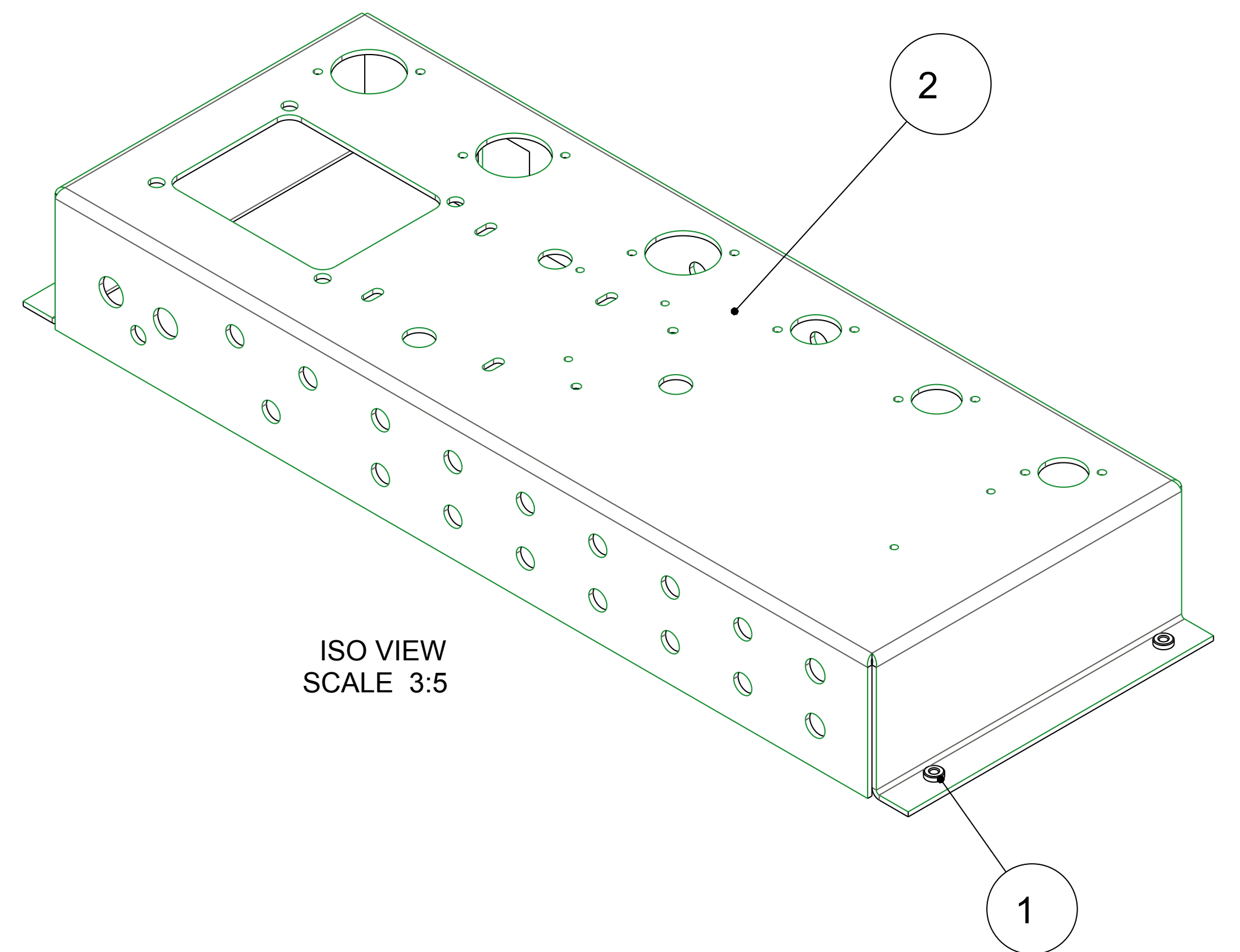
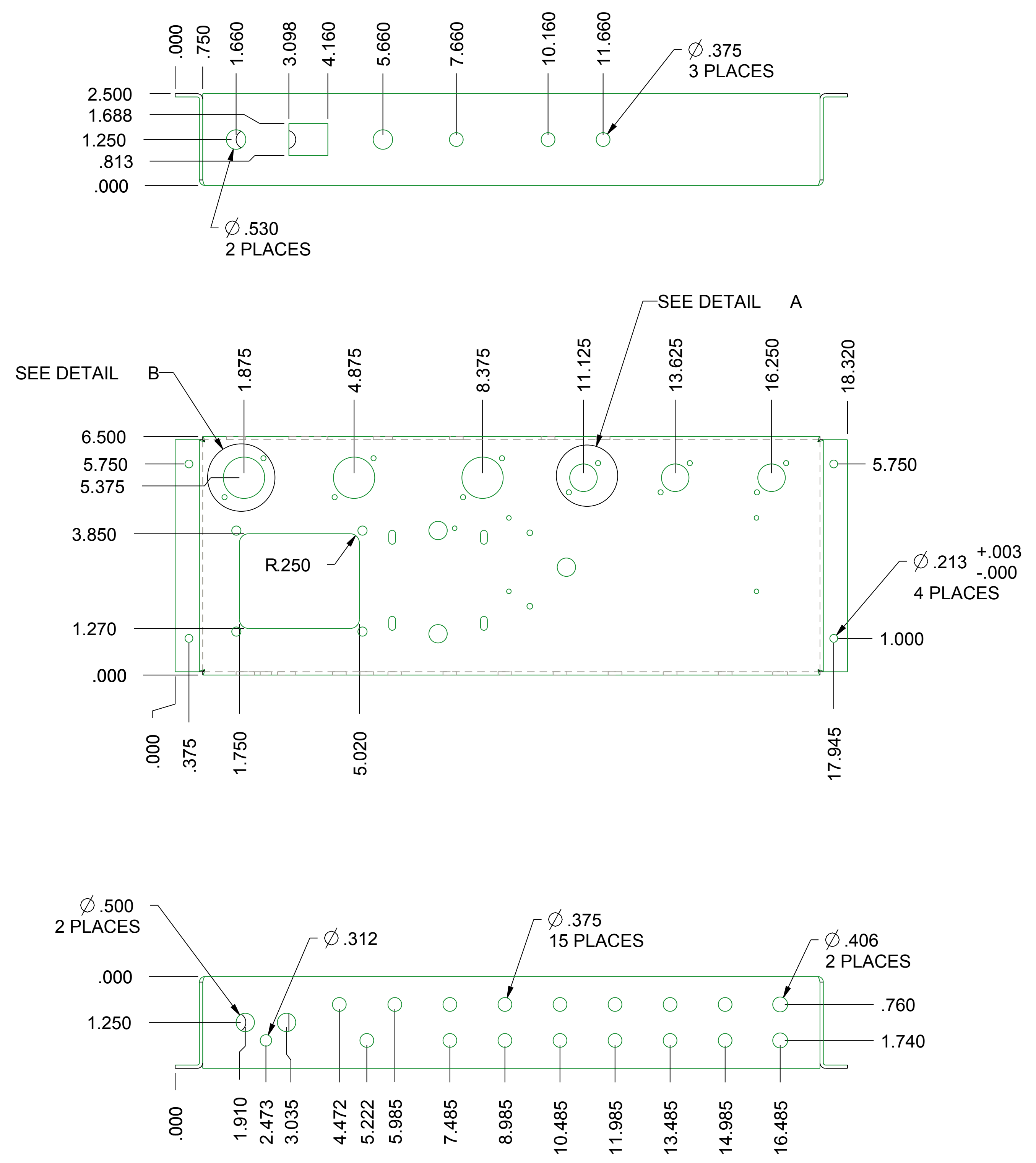


REVISIONS			
REV	DESCRIPTION	DATE	APPROVED
A	RELEASED TO PRODUCTION	5/11/09	JBL



NOTES:
1. MATERIAL: .090 ALUM 5052-H32

ITEM	PART NUMBER	DESCRIPTION	QTY	REV	CAD NUMBER
1	CLS-832-2	PEM NUT	4	-	CLS-832-2
2	HALLECH	HALLE CHASSIS	1	A	HALLECH

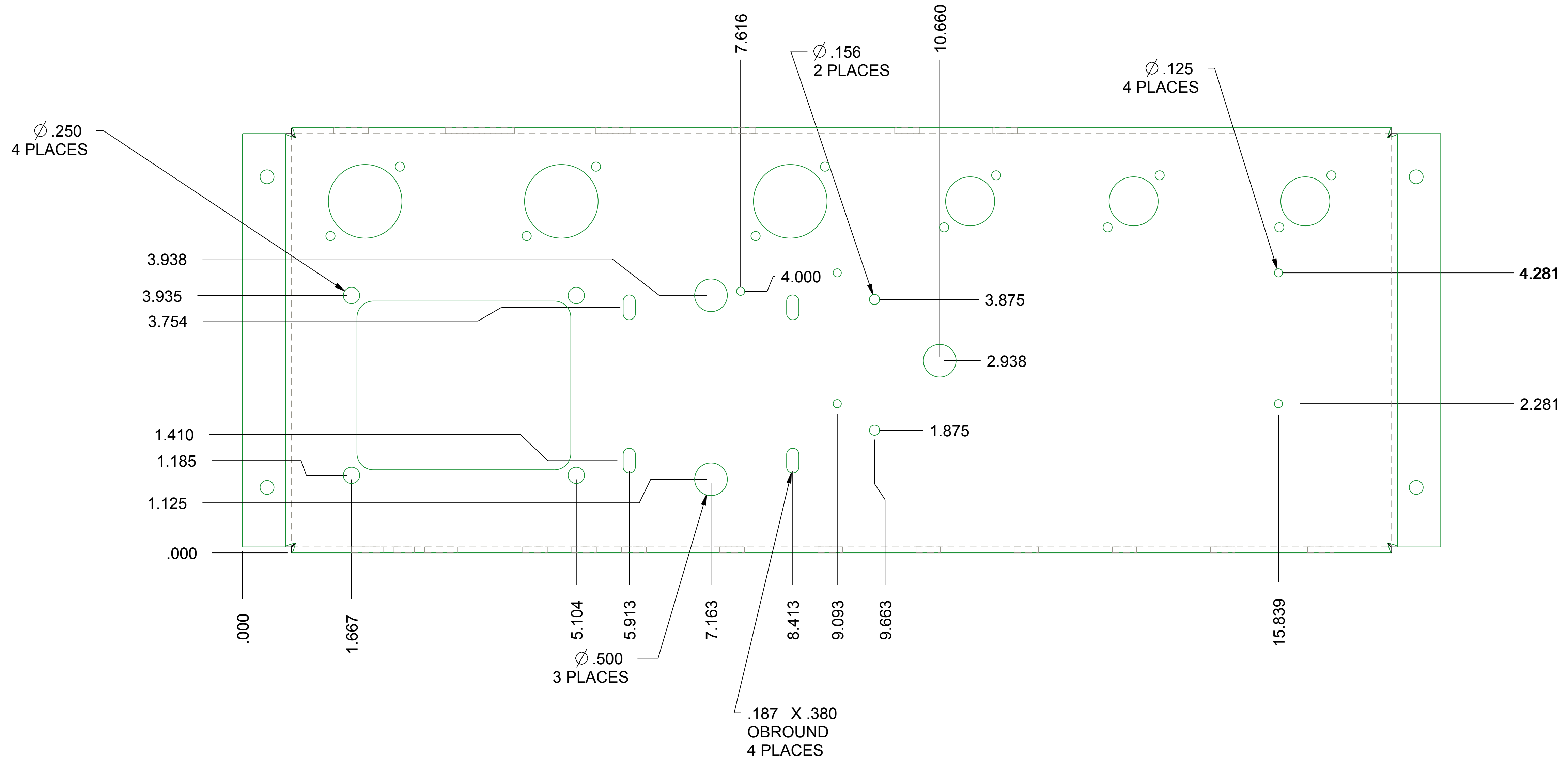
ASSEMBLY

TOLERANCES (UNLESS OTHERWISE SPECIFIED):
 .XX ± .060
 .XXX ± .030
 ANGULAR ± 1°

WEBER SPEAKERS

PART NAME: HALLE CHASSIS | DWG NO.: HALLECH | REV: A
 SCALE 1:2 | 04/20/09 | CAD: ANDECH_ASSY | SHEET 1 OF 2

REVISIONS			
REV	DESCRIPTION	DATE	APPROVED
A	RELEASED TO PRODUCTION	5/11/09	JBL



BOTTOM DETAIL

ASSEMBLY <small>TOLERANCES (UNLESS OTHERWISE SPECIFIED):</small> .XX ± .060 .XXX ± .030 ANGULAR ± 1°		WEBER SPEAKERS	
		PART NAME HALLE CHASSIS	DWG NO. HALLECH A
SCALE 1:2	05/06/09	CADWAVECH_ASSY	SHEET 2 OF 2