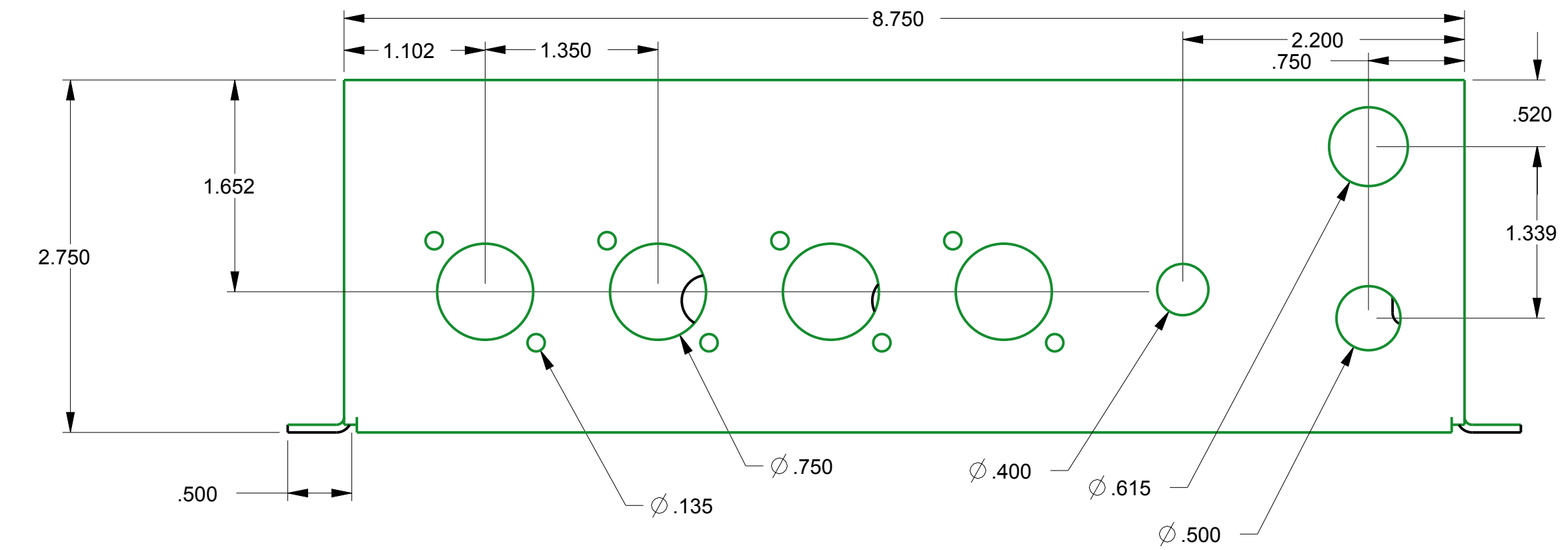
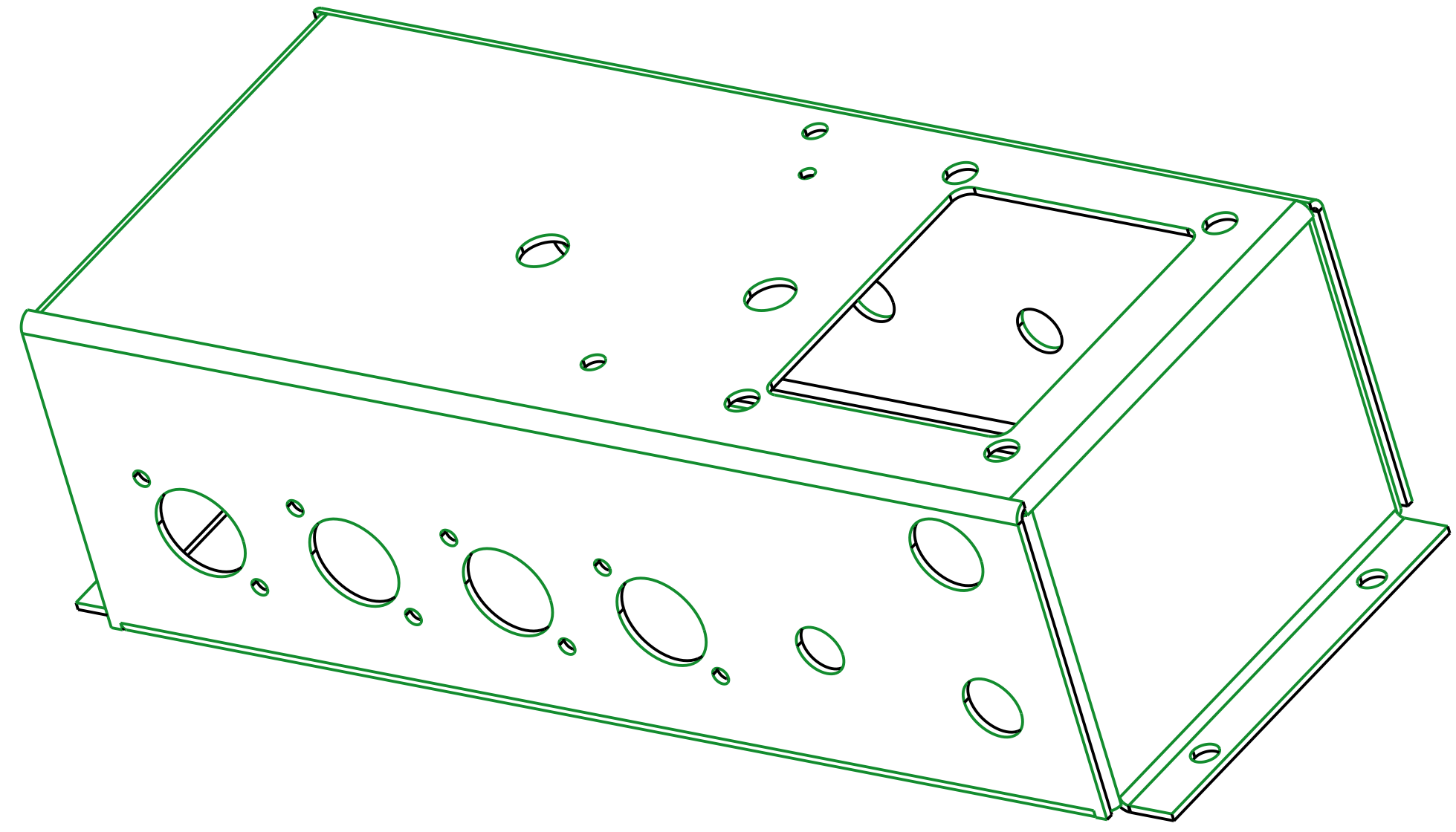
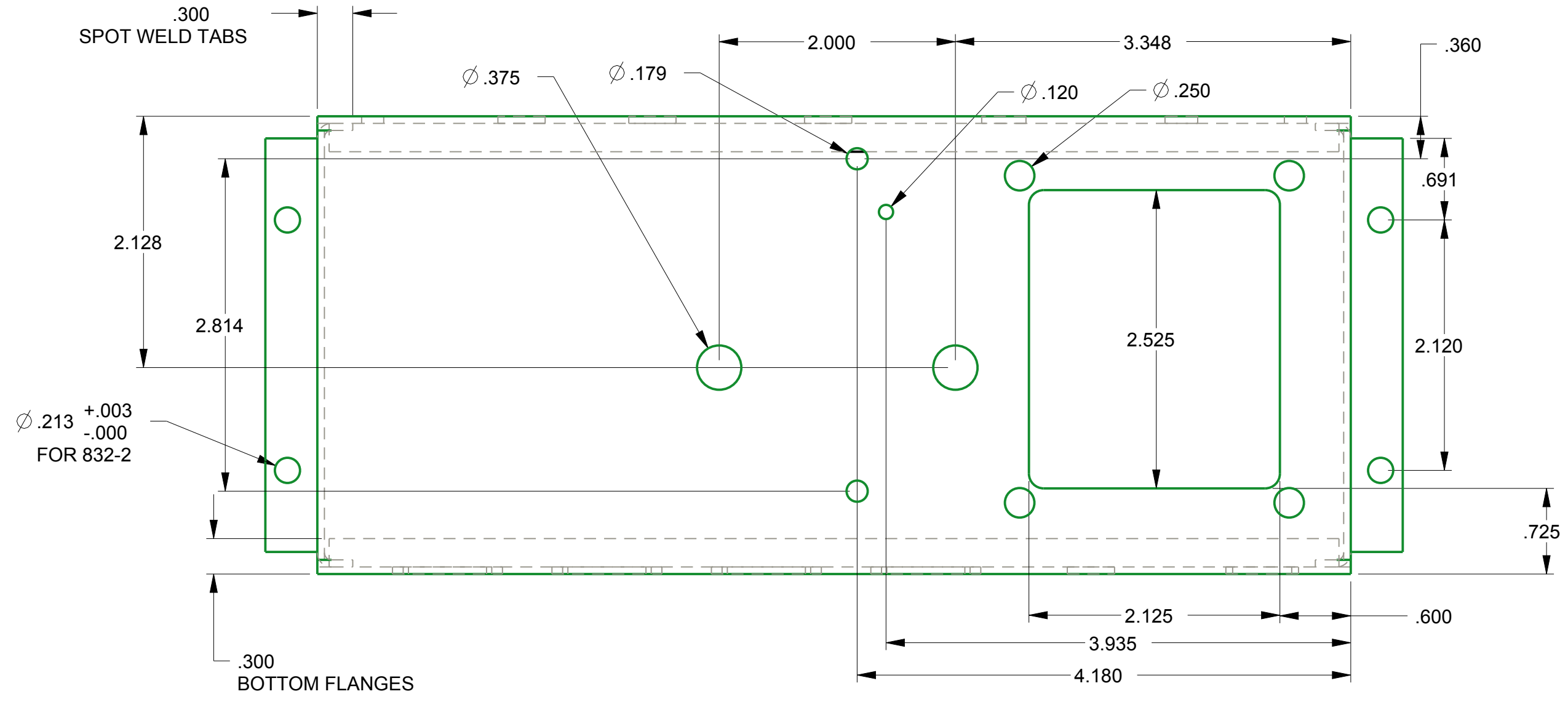
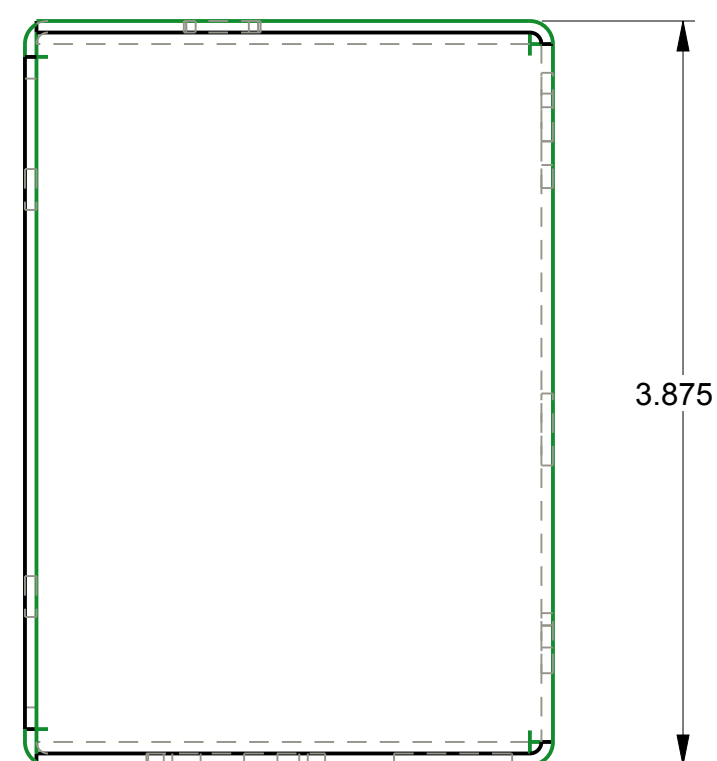
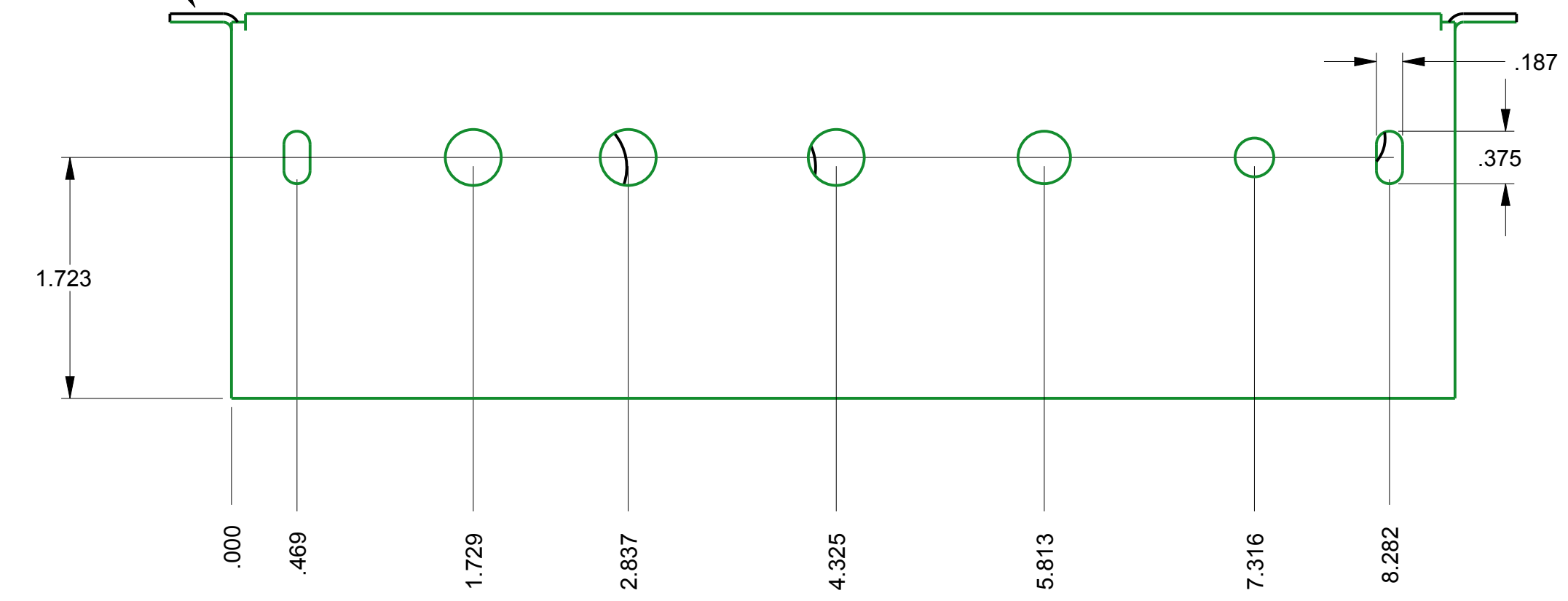


REVISIONS			
REV	DESCRIPTION	DATE	APPROVED
A	DRAWING FOR APPROVAL	09/12/11	D.A.O.

INSTALL 832-2 (4)  
FLUSH THIS SIDE



TOLERANCE FOR HOLE DIAMETERS  $\pm .005$

MATERIAL- .06 SS 430-2BA		<b>WEBER</b>		
TOLERANCES (UNLESS OTHERWISE SPECIFIED): XX $\pm$ .03 .XXX $\pm$ .015 ANGULAR $\pm$ 1/2"				
SCALE 1:1	09/07/11	NO. PER ASSY 1	CAD NO. SJ-CH	SHEET 1 OF 1